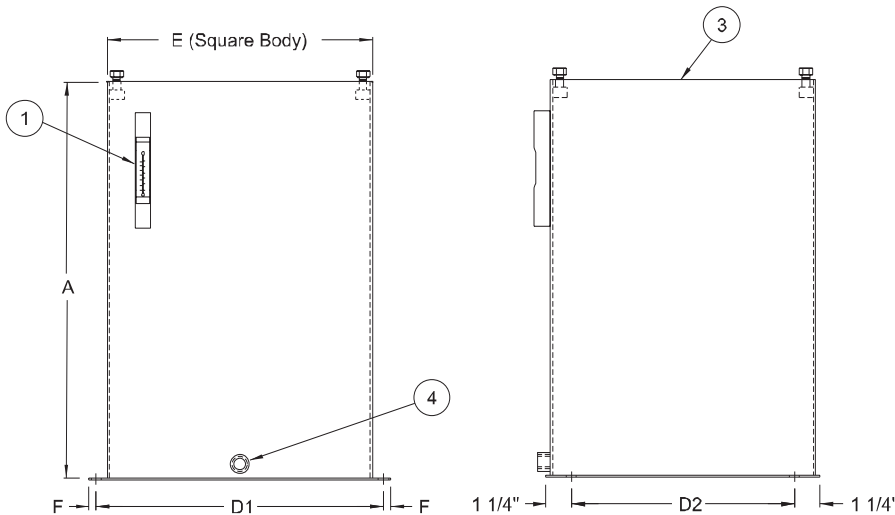
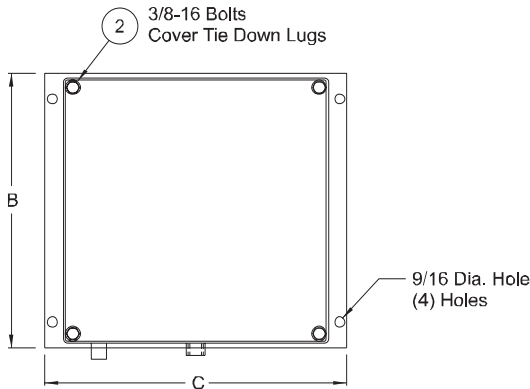




NON-J.I.C. RESERVOIRS

Vertical Style



Each Vertical Non-J.I.C.

Reservoir includes:

1. (1) Oil Level & Temp. Gauge
2. (4) Cover Mounting Bolts
3. Channel gasket for cover plate seal
4. (1) 1/2" NPT Drain
5. Steel construction with customer choice of top
6. Exterior of reservoir prime painted
7. Interior of reservoir coated with rust preventive oil

Sight Gauge

5 to 30 gallon - 5" sight gauge (ALG5T)

NOTE: Cover Plate ordered as separate item (see page 20)

*Sight Gauge shipped loose inside reservoir,
Filler Breather included with cover plate*

Capacity Gallons	Vescor Part Number	Tank Dimensions (inches)					E	F	Shipping Weight
		A	B	C	Mounting Centers D1 ±1/8" D2 ±1/8"				
5	215145	10"	12 1/2"	14 1/2"	13 1/2"	10"	12"	1/2"	30#
10	215146	19 11/16"	12 1/2"	14 1/2"	13 1/2"	10"	12"	1/2"	45#
10	215147	11 3/4"	16 1/2"	19"	17 1/2"	14"	16"	3/4"	50#
20	215148	23 11/16"	16 1/2"	19"	17 1/2"	14"	16"	3/4"	66#
30	215149	35 11/16"	16 1/2"	19"	17 1/2"	14"	16"	3/4"	86#

*Weights do not include covers



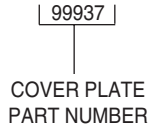
COVER PLATES

ORDERING INFORMATION

VESCOR Vertical Non-JIC Reservoirs allow you to choose the style cover plate for your individual needs.

Reservoir and Cover Plate must be ordered as separate items. Please use Part Number when ordering.

NOTE: Filler Breathers are included with cover plates only

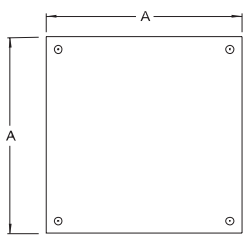


Example:
Cover Plate for 10 Gallon Non-JIC Reservoir
(215147) with 56C/145TC Adapter Cutout (Style 1)

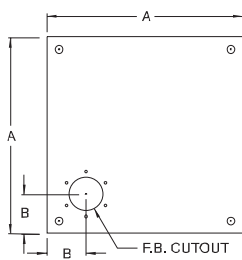
Reservoir Part Number	Standard Dimensions for Vertical Tops				
	A (SQ)	B	C	D	E (Adapter Cutout)
215145	12 ¹ / ₂ "	2 ¹ / ₂ "	6 ¹ / ₄ "	5"	Cutout for 56C/145TC Adapter (Style 1, 1A, 1B)
215146	12 ¹ / ₂ "	2 ¹ / ₂ "	6 ¹ / ₄ "	5"	Cutout for 182TC/256TC Adapter (Style 7)
215147	16 ¹ / ₂ "	2 ¹ / ₂ "	8 ¹ / ₄ "	5 ¹ / ₂ "	Cutout for 56C/145TC Adapter (Style 1, 1A, 1B)
215148	16 ¹ / ₂ "	2 ¹ / ₂ "	8 ¹ / ₄ "	5 ¹ / ₂ "	Cutout for 182TC/256TC Adapter (Style 7)
215149	16 ¹ / ₂ "	2 ¹ / ₂ "	8 ¹ / ₄ "	6 ¹ / ₄ "	Cutout for 182TC/256TC Adapter (Style 6)

*See page 131 to 136 for adapter styles

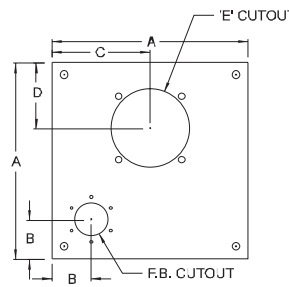
Series 1 Cover Plates (215145, 215146)



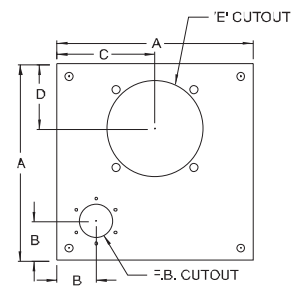
Blank Cover
Part Number 99920



Cover with
Filler Breather Cutout
Part Number 99923

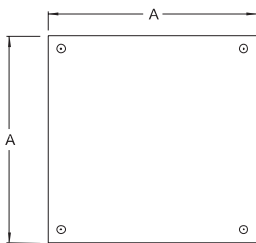


Cover with
Filler Breather Cutout and
56C/145TC Adapter Cutout
(Adapter Style 1, 1A, 1B)
Part Number 99926

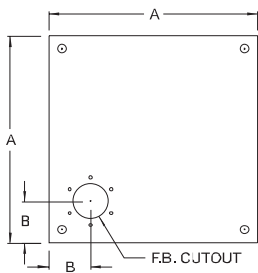


Cover with
Filler Breather Cutout and
182TC/256TC Adapter Cutout
(Adapter Style 7)
Part Number 99929

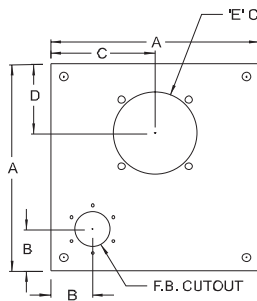
Series 2 Cover Plates (215147, 215148, 215149)



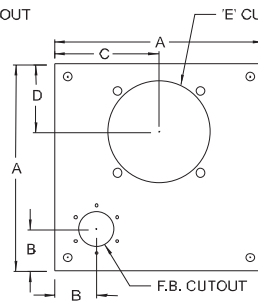
Blank Cover
Part Number 99931



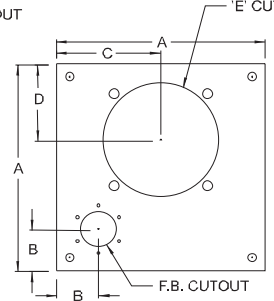
Cover with
Filler Breather Cutout
Part Number 99934



Cover with
Filler Breather Cutout and
56C/145TC Adapter Cutout
(Adapter Style 1, 1A, 1B)
Part Number 99937



Cover with
Filler Breather Cutout and
182TC/256TC Adapter Cutout
(Adapter Style 7)
Part Number 99940



Cover with
Filler Breather Cutout and
182TC/256TC Adapter Cutout
(Adapter Style 6)
Part Number 99943

Cover Plate Part Number	Description	Series
99920	Blank Cover	1
99923	Cover with Filler Breather Cutout	1
99926	Cover with 56C/145TC Adapter Cutout	1
99929	Cover with 182C/256TC Adapter Cutout	1

Cover Plate Part Number	Description	Series
99931	Blank Cover	2
99934	Cover with Filler Breather Cutout	2
99937	Cover with 56C/145TC Adapter Cutout	2
99940	Cover with 182C/256TC Adapter Cutout	2
99943	Cover with 182C/256TC Vert. Adapter Cutout	2

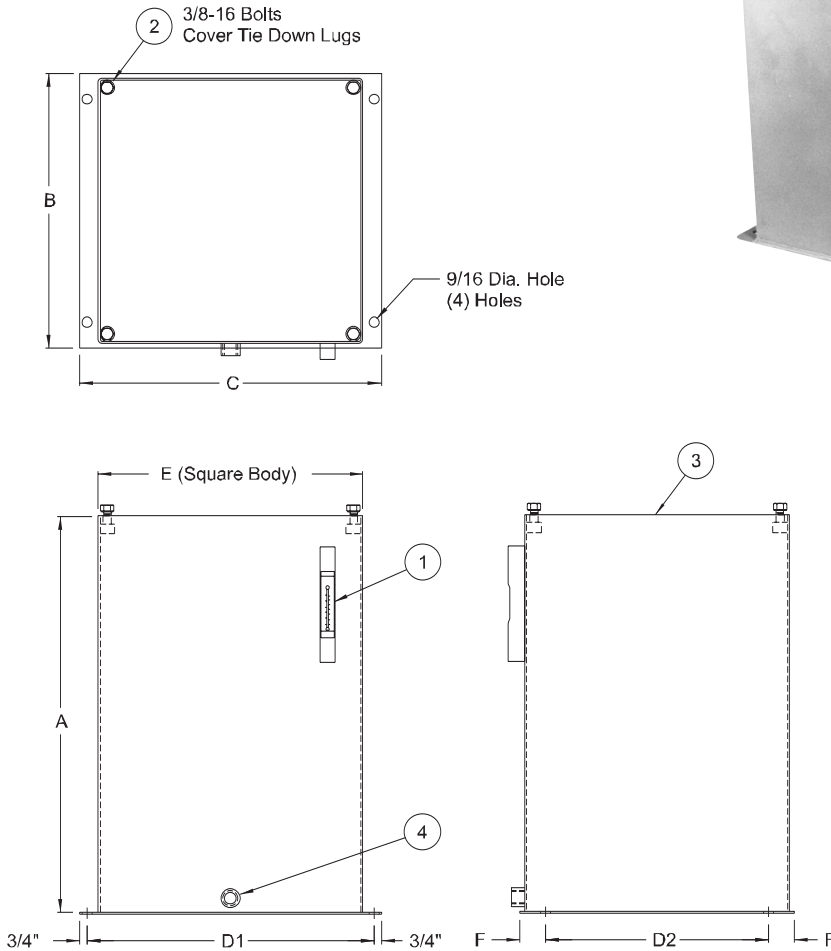
Note: All cover plates include Filler Breather bayonet style 40 micron (5201)

NOTE: WITH VESCORS' POLICY OF CONSTANTLY IMPROVING ITS PRODUCTS, SPECIFICATIONS ARE SUBJECT TO CHANGE WITHOUT NOTICE.



NON-J.I.C. RESERVOIRS

Vertical Style



Each Vertical Non-J.I.C. Type Reservoir Includes:

1. (1) Oil Level & Temp. Gauge
2. (4) Cover Mounting Bolts
3. Channel gasket for cover plate seal
4. (1) 1/2" NPT Drain
5. Steel construction with customer choice of top
6. Outside of reservoir prime painted
7. Interior of reservoir coated with rust preventive oil

Sight Gauge

10 to 40 gallon - 5" sight gauge (ALG5T)

NOTE : Cover Plate ordered as separate item (see page 22)

Sight Gauge shipped loose inside reservoir, filler breather included with cover plate

Capacity Gallons	Vescor Part Number	Tank Dimensions (Inches)							Shipping Weight
		A	B	C	Mounting Centers D1 ±1/8" D2 ±1/8"		E	F	
10	215173	15"	16 1/2"	19"	17 1/2"	14"	16"	1 1/4"	65#
20	215174	18"	18"	20 1/2"	19"	15"	17 1/2"	1 1/2"	80#
30	215175	26"	18"	20 1/2"	19"	15"	17 1/2"	1 1/2"	100#
40	215176	34"	18"	20 1/2"	19"	15"	17 1/2"	1 1/2"	120#

*Weights do not include covers



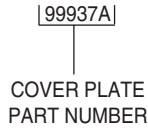
COVER PLATES

ORDERING INFORMATION

VESCOR Vertical Non-JIC Reservoirs allow you to choose the style cover plate for your individual needs.

Reservoir and Cover Plate must be ordered as separate items. Please use Part Number when ordering.

NOTE: Filler Breathers are included with cover plates only

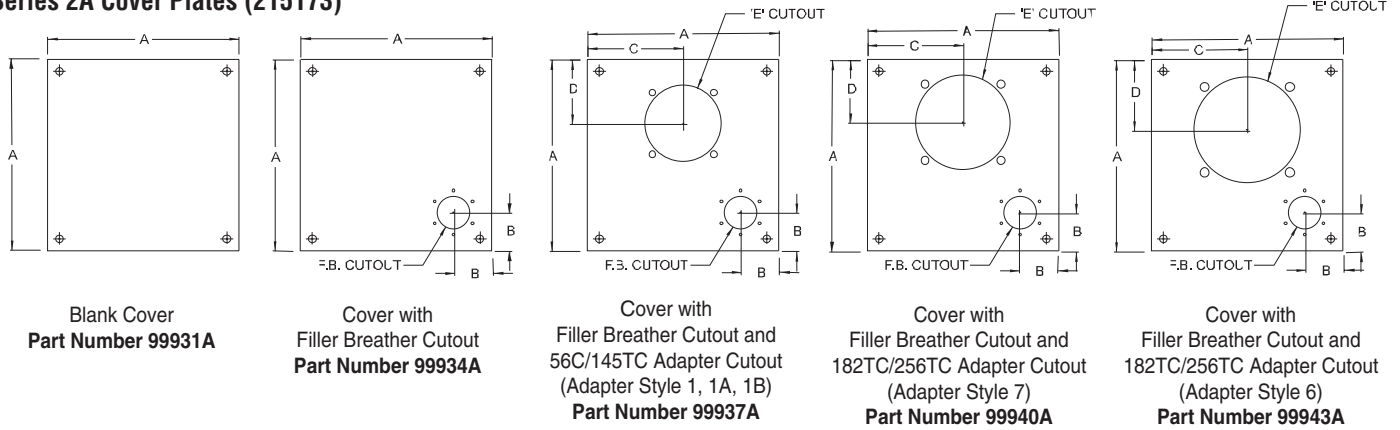


Example:
Cover Plate for 10 Gallon Non-JIC Reservoir
(215173) with 56C/145TC Adapter Cutout (Style 1)

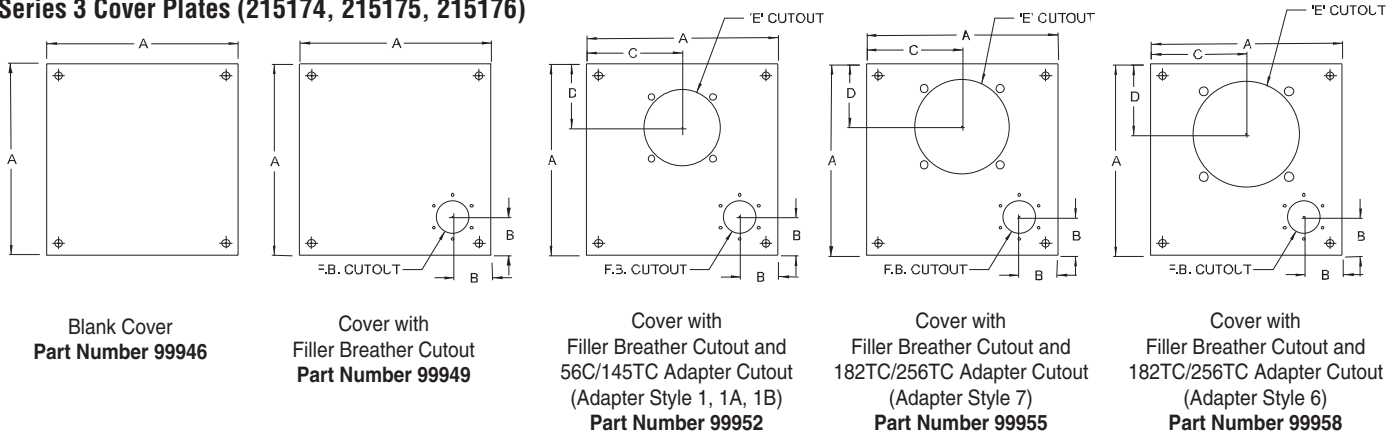
Reservoir Part Number	Standard Dimensions for Vertical Tops				
	A (SQ)	B	C	D	E (Adapter Cutout)
215173	16 1/2"	2 1/2"	8 1/4"	5 1/2"	Cutout for 56C/145TC Adapter (Style 1, 1A, 1B)
215173	16 1/2"	2 1/2"	8 1/4"	5 1/2"	Cutout for 182TC/256TC Adapter (Style 7)
215174	18"	2 1/2"	9"	5 1/2"	Cutout for 56C/145TC Adapter (Style 1, 1A, 1B)
215175	18"	2 1/2"	9"	5 1/2"	Cutout for 182TC/256TC Adapter (Style 7)
215176	18"	2 1/2"	9"	6 1/4"	Cutout for 182TC/256TC Adapter (Style 6)

*See pages 131to 136 for adapter styles

Series 2A Cover Plates (215173)



Series 3 Cover Plates (215174, 215175, 215176)



Cover Plate Part Number	Description	Series
99931A	Blank Cover	2A
99934A	Cover with Filler Breather Cutout	2A
99237A	Cover with 56C/145TC Adapter Cutout	2A
99940A	Cover with 182C/256TC Adapter Cutout	2A
99943A	Cover with 182C/256TC Adapter Cutout	2A

Cover Plate Part Number	Description	Series
99946	Blank Cover	3
99949	Cover with Filler Breather Cutout	3
99952	Cover with 56C/145TC Adapter Cutout	3
99955	Cover with 182C/256TC Adapter Cutout	3
99958	Cover with 182C/256TC Vert. Adapter Cutout	3

Note: All cover plates include Filler Breather bayonet style 40 micron (5201)

NOTE: WITH VESCORS' POLICY OF CONSTANTLY IMPROVING ITS PRODUCTS, SPECIFICATIONS ARE SUBJECT TO CHANGE WITHOUT NOTICE.