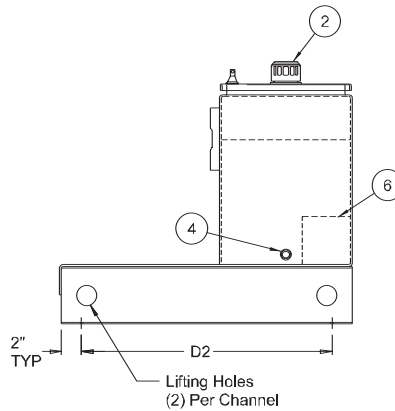
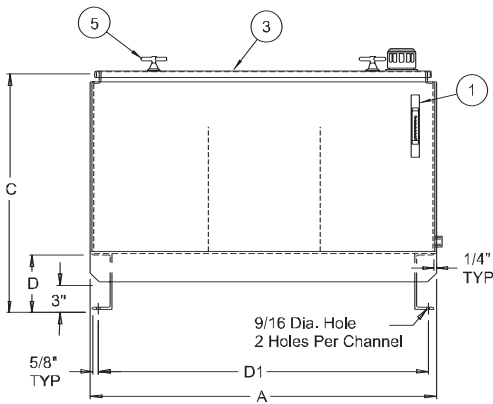
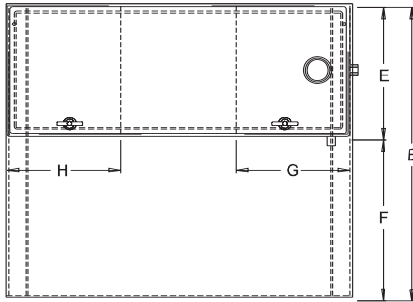
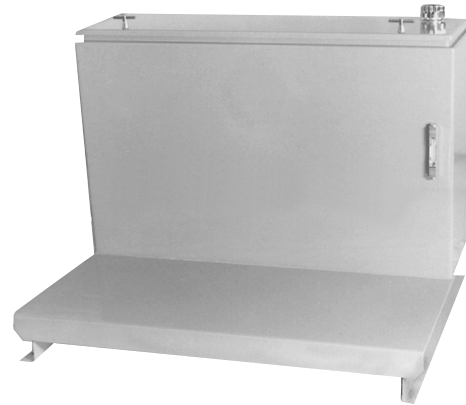




# "L" SHAPED RESERVOIRS

## Style C



### Each "L" Shaped Style C Reservoir Includes:

- (1) Oil Level & Temp. Gauge
- (1) Filler Breather
- (1) Hinged Cover with gasket
- (1) 3/4" NPT Drain
- (2) T-Handles (3) for 200 gallon and up
- Baffle(s) with cutout for circulation
- Exterior of reservoir prime painted
- Interior of reservoir coated with rust preventive oil.
- 100 gallon to 600 gallon include (1) door chain (not shown)

### Sight Gauge

10 to 200 gallon - 5" sight gauge (ALG5T)  
 300 gallon and up - 10" sight gauge (FMALG10T)

### Filler Breather

Bayonet Style - 40 micron (5201)

*Sight Gauge and Filler Breather shipped loose inside reservoir*

Capacity Gallons	Vescor Part Number	Tank Dimensions (inches)								Mounting Centers		Shipping Weight
		A	B	C	D	E	F	G	H	D1 ±1/8"	D2 ±1/8"	
10	VL-10	24"	23 <sup>3</sup> / <sub>8</sub> "	23 <sup>7</sup> / <sub>8</sub> "	6 <sup>3</sup> / <sub>16</sub> "	11 <sup>1</sup> / <sub>8</sub> "	12 <sup>1</sup> / <sub>4</sub> "	11"	N/A	22 <sup>1</sup> / <sub>4</sub> "	19"	135#
20	VL-20	30"	27 <sup>3</sup> / <sub>8</sub> "	25 <sup>7</sup> / <sub>8</sub> "	6 <sup>3</sup> / <sub>16</sub> "	13 <sup>1</sup> / <sub>2</sub> "	13 <sup>7</sup> / <sub>8</sub> "	12"	N/A	28 <sup>1</sup> / <sub>4</sub> "	23"	183#
30	VL-30	36"	30 <sup>3</sup> / <sub>8</sub> "	29 <sup>7</sup> / <sub>8</sub> "	6 <sup>3</sup> / <sub>16</sub> "	13 <sup>3</sup> / <sub>4</sub> "	16 <sup>5</sup> / <sub>8</sub> "	12"	N/A	34 <sup>1</sup> / <sub>4</sub> "	26"	240#
45	VL-45	54"	31 <sup>3</sup> / <sub>8</sub> "	29 <sup>7</sup> / <sub>8</sub> "	6 <sup>3</sup> / <sub>16</sub> "	13 <sup>3</sup> / <sub>4</sub> "	17 <sup>5</sup> / <sub>8</sub> "	12"	12"	52 <sup>1</sup> / <sub>4</sub> "	27"	335#
60	VL-60	48"	37 <sup>3</sup> / <sub>8</sub> "	35 <sup>7</sup> / <sub>8</sub> "	6 <sup>3</sup> / <sub>16</sub> "	16 <sup>3</sup> / <sub>4</sub> "	20 <sup>5</sup> / <sub>8</sub> "	16"	N/A	46 <sup>1</sup> / <sub>4</sub> "	33"	376#
80	VL-80	66"	38 <sup>9</sup> / <sub>16</sub> "	36 <sup>1</sup> / <sub>16</sub> "	6 <sup>3</sup> / <sub>8</sub> "	16 <sup>3</sup> / <sub>8</sub> "	22"	16"	16"	64 <sup>1</sup> / <sub>4</sub> "	34"	670#
100	VL-100	60"	42 <sup>9</sup> / <sub>16</sub> "	39 <sup>1</sup> / <sub>16</sub> "	6 <sup>3</sup> / <sub>8</sub> "	19 <sup>3</sup> / <sub>8</sub> "	23"	16"	N/A	58 <sup>1</sup> / <sub>4</sub> "	38"	715#
120	VL-120	72"	42 <sup>9</sup> / <sub>16</sub> "	39 <sup>1</sup> / <sub>16</sub> "	6 <sup>3</sup> / <sub>8</sub> "	19 <sup>3</sup> / <sub>8</sub> "	23"	16"	16"	70 <sup>1</sup> / <sub>4</sub> "	38"	836#
150	VL-150	72"	50 <sup>9</sup> / <sub>16</sub> "	39 <sup>1</sup> / <sub>16</sub> "	6 <sup>3</sup> / <sub>8</sub> "	25 <sup>3</sup> / <sub>8</sub> "	25"	16"	N/A	70 <sup>1</sup> / <sub>4</sub> "	46"	939#
200	VL-200	84"	51 <sup>9</sup> / <sub>16</sub> "	42 <sup>1</sup> / <sub>16</sub> "	6 <sup>3</sup> / <sub>8</sub> "	25 <sup>3</sup> / <sub>8</sub> "	26"	16"	16"	82 <sup>1</sup> / <sub>4</sub> "	47"	1128#
300	VL-300	84"	60"	54 <sup>3</sup> / <sub>16</sub> "	6 <sup>1</sup> / <sub>2</sub> "	25 <sup>3</sup> / <sub>8</sub> "	34 <sup>7</sup> / <sub>16</sub> "	16"	16"	82 <sup>1</sup> / <sub>4</sub> "	55 <sup>1</sup> / <sub>2</sub> "	1400#
400	VL-400	84"	60"	54 <sup>3</sup> / <sub>16</sub> "	6 <sup>1</sup> / <sub>2</sub> "	28 <sup>3</sup> / <sub>8</sub> "	31 <sup>7</sup> / <sub>16</sub> "	16"	16"	82 <sup>1</sup> / <sub>4</sub> "	55 <sup>1</sup> / <sub>2</sub> "	1610#
500	VL-500	84"	60"	60 <sup>3</sup> / <sub>16</sub> "	6 <sup>1</sup> / <sub>2</sub> "	32 <sup>3</sup> / <sub>8</sub> "	27 <sup>7</sup> / <sub>16</sub> "	18"	18"	82 <sup>1</sup> / <sub>4</sub> "	55 <sup>1</sup> / <sub>2</sub> "	1782#
600	VL-600	90"	62"	66 <sup>3</sup> / <sub>16</sub> "	6 <sup>1</sup> / <sub>2</sub> "	30 <sup>3</sup> / <sub>8</sub> "	31 <sup>7</sup> / <sub>16</sub> "	22"	22"	88 <sup>1</sup> / <sub>4</sub> "	57 <sup>1</sup> / <sub>2</sub> "	1838#