

Manifold Pressure Regulators Series MC

Inlet port 1/4" NPTF, full Inlet pressure (non-cascading),
2 outlets per unit.

Modular

The manifold pressure regulators are
available with port 1/4" NPTF.

Normally they are available with relieving
diaphragm as standard and can be panel
mounted.



TECHNICAL SPECIFICATIONS

Construction	compact modular, diaphragm type
Materials	Body - Aluminum alloy, Cover/Head - Grilamid TR 55 (Nylon compound), Seals - Buna-N, internals in brass
Port (Inlet/Outlet)	1/4" NPTF / 1/8" NPTF
Weight	kg 0,320 = .70 lbs
Pressure gauge port / outlet	1/8" NPTF
Mounting	in-line ;, wall or panel mounting (in any position)
Operating temperature	-5° C - 50° C, (23° F - 122° F), with Dew Point of air at least 2° C (4° F) below the min working temperature
Finish	Chromate treatment undercoat; Bodies - polyurethane enamel & oven-cured; Bowls - electrostatic coating of polyester epoxy & oven cured

PNEUMATIC DATA

Inlet pressure	0 — 16 bar (0 - 232 psi)
Outlet pressure	0.5 — 10 bar or 0 — 4 bar (7.25 - 145 psi or 0 - 58 psi)
Flow	see graph
Secondary pressure relieving	standard

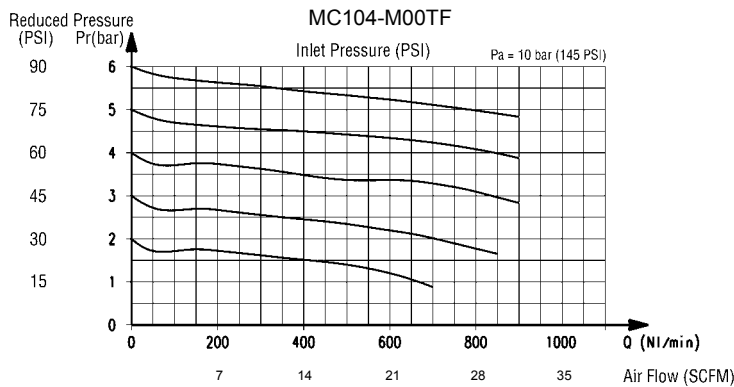
CODING EXAMPLE

MC	1	04	-	M	0	0	TF
----	---	----	---	---	---	---	----

MC	SERIES
1	SIZE 1 = 1/4" NPTF
04	PORT (Inlet/Outlet) 04 = 1/4" NPTF / 1/8" NPTF
M	MANIFOLD REGULATOR
0	OPERATING PRESSURE 0 = 0.5 — 10 bar (7.25 - 145 psi) 1 = 0 — 4 bar (0 - 58 psi) 2 = 0 — 2 bar (0 - 29 psi) 7 = 0.5 — 7 bar (7.25 - 103 psi)
0	CONSTRUCTION 0 = self-relieving 1 = non-relieving 5 = fast-response control, (metal-to-metal seat),relieving
TF	PORT TF = NPTF Blank = BSPP thread ports

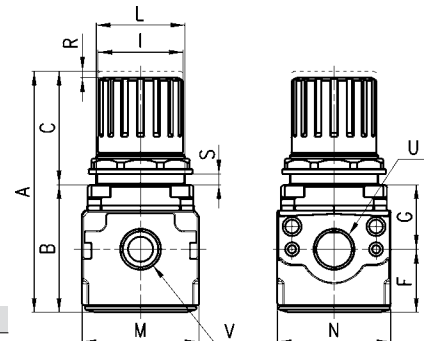
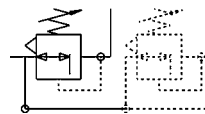
FLOW DIAGRAM

MC104-M00TF



Pa = Inlet pressure
Pr = Regulated pressure
Qn = Flow

Manifold pressure regulators Series MC



DIMENSIONS (in inches)

Mod.	A	B	C	F	G	I	L	M	N	R	S	T	U	V
													NPTF	NPTF
MC104-M00TF	3.700	2.165	1.535	1.102	1.102	1.102	M30x1.5	1.772	1.772	.118	0-.236	1.378	1/4"	1/8"