

Lubricators Series MC

Port 1/4", 3/8", 1/2" NPTF
Modular with metal bowl guard and bayonet-type mounting

The Series MC lubricators are available with port 1/4", 3/8", 1/2" NPTF.

The bowls of these lubricators are made of metal and are equipped with a transparent viewer. The oil flow can be monitored via the small transparent cap and regulated by means of the special adjusting screw.

In the 3/8" and 1/2" models, oil can be refilled while unit is under pressure by first removing the oil fill cap plug. Oil can be directly filled via cap plug. In addition, once cap plug is removed, the entire bowl may be removed for direct filling while system remains pressurized.



TECHNICAL SPECIFICATIONS

Construction	modular compact			
Materials	Body - Aluminum alloy, Bowl - Grilamid TR 55 (Nylon compound), Seals - Buna-N			
Port	NPTF:	1/4"	3/8"	1/2"
Oil capacity	oz	1.25	5.75	5.75
Weight	lbs	.75	1.65	1.49
Mounting	vertical in-line or wall-mounting			
Operating temperature	-5° C - 50° C, (23° F - 122° F), with Dew Point of air at least 2° C (4° F) below the min working temperature			
Oil refilling	without pressure only in 1/4" Size : While pressurized for 3/8" & 1/2"			
Oil for lubrication	from 3° - 10° E (ask our engineers for types) (approx. 32 centistrokes)			
Oil consumption	recommendation 2 - 5 drops every 1000 NI of air consumed (35 SCFM)			
Droplet size	> 2µm (10 drops = 1cm ³)			
Finish	Chromate treatment undercoat; Bodies - polyurethane enamel & oven-cured; Bowls - electrostatic coating of polyester epoxy & oven cured			

PNEUMATIC DATA

Operating pressure	0 — 16 bar (0 - 232 psi)	
Nominal flow	see graphs	
Min. air consumption for lubr. (NI/min)	1/4", 3/8", 1/2" NPTF	
	at 1 bar (14.5 psi)	8 NI/min (.28 SCFM)
	at 6 bar (87 psi)	15 NI/min (.53 SCFM)

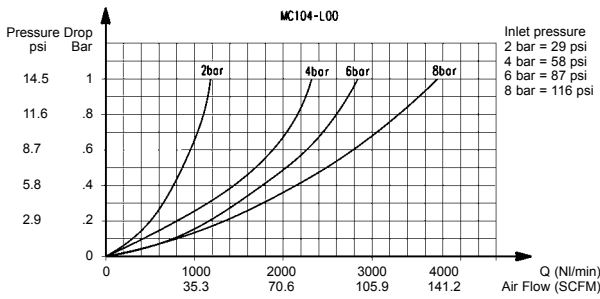
CODING EXAMPLE

MC	1	04	-	L	00	TF
----	---	----	---	---	----	----

MC	SERIES
1	SIZE 1 = 1/4" 2 = 3/8" or 1/2"
04	PORTS: 04 = 1/4" NPTF 38 = 3/8" NPTF 02 = 1/2" NPTF
L	LUBRICATOR
00	DESIGN TYPE 00 = atomized oil, (approx. 2 microns) 01 = optional, low-flow orifice for low air consumption requiring lubrication (3/8" & 1/2" ONLY)
TF	PORT TF = NPTF Blank = BSPP thread ports

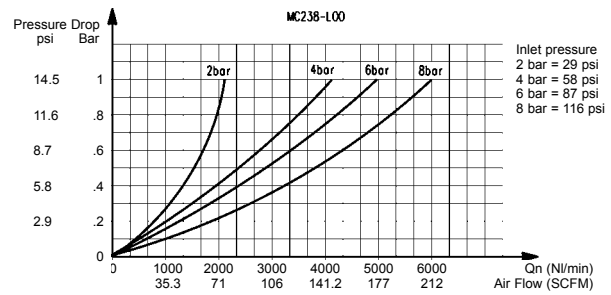
FLOW DIAGRAMS

MC104-L00TF



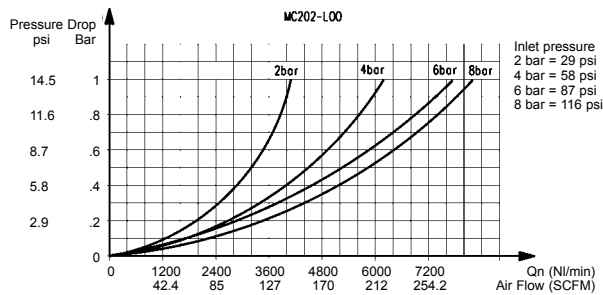
Pa = Inlet pressure
ΔP = Pressure Drop
Qn = Flow

MC238-L00TF



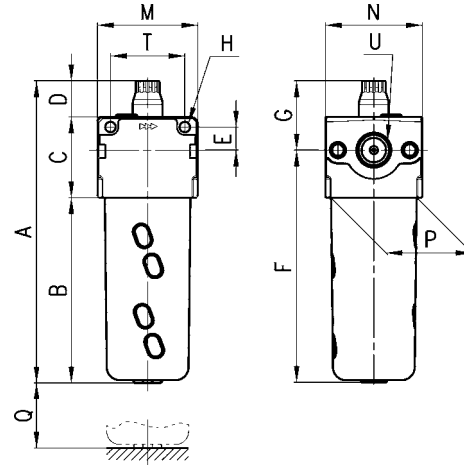
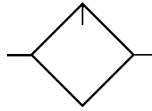
Pa = Inlet pressure
ΔP = Pressure Drop
Qn = Flow

MC202-L00TF



Pa = Inlet pressure
ΔP = Pressure Drop
Qn = Flow

Lubricators Series MC



DIMENSIONS (in inches)

Mod.	A	B	C	D	E	F	G	H	M	N	P	Q	T	NPTF	
														U	
MC104-L00TF	5.827	3.268	1.575	.984	.433	4.213	1.614	.177	1.772	1.772	1.457	3.307	1.378	1/4	
MC238-L00TF	7.362	4.528	1.969	.866	.551	5.670	1.693	.217	2.441	2.362	2.087	4.606	1.811	3/8	
MC202-L00TF	7.362	4.528	1.969	.866	.551	5.670	1.693	.217	2.441	2.362	2.087	4.606	1.811	1/2	