

Lockable Isolation 3/2-Way Valve Series MC (Lock-out/Tag-out)

Port 1/4", 3/8", 1/2" NPTF
Modular

The valves are designed so that the downstream air pressure can be vented and the valve locked in the non passing condition to allow work to be carried out with greater safety on pneumatically actuated equipment.

Positioning of these valves is often before the FRL unit. Pulling Manual handle in the "UP" direction shuts off inlet flow and exhausts all downstream pressure via the threaded port in the bottom of the unit. (Silencers can be installed to minimize noise).

With handle extended "UP", lock-out hole (0.315" OD), is exposed in handle spool for locks or hasps. (Valve shown in illustration in "DOWN" position for normal inlet flow to pass.)



TECHNICAL SPECIFICATIONS

Construction	modular assembly, compact, poppet type		
Materials	Body - Aluminum alloy, Bowl - Grilamid TR 55 (Nylon compound), Seals - Buna-N		
Port	NPTF:	1/4"	3/8" 1/2"
Weight	lbs	.61	1.2 1.13
Mounting	in-line, wall or panel mounting (in any position)		
Operating temperature	-5° C - 50° C, (23° F - 122° F), with Dew Point of air at least 2° C (4° F) below the min working temperature		
Finish	Chromate treatment undercoat; Bodies - polyurethane enamel & oven-cured; Bowls - electrostatic coating of polyester epoxy & oven cured		

PNEUMATIC DATA

Operating pressure	0 — 16 bar (0 - 232 psi)
Nominal flow	see graph
Nominal flow in the exhausted direction	Nominal Flow in the Exhausting Direction, 1/4" NPTF - 1080 NI/min, (38 SCFM, 3/8" & 1/2" - 2380 NI/min (83 SCFM))
	flow determined at 6 bar with DP= 1 bar (Flow at 87 psi with Pressure Drop of 14.5 psi)

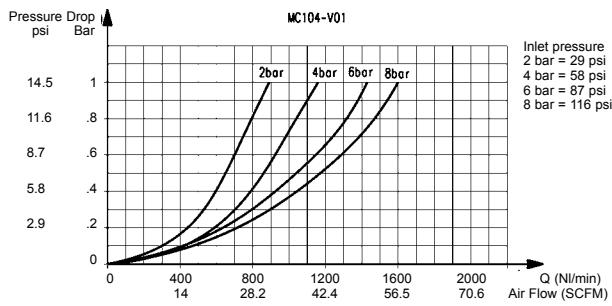
CODING EXAMPLE

MC	1	04	-	V	01	TF
----	---	----	---	---	----	----

MC	SERIES
1	SIZE 1 = 1/4" NPTF 2 = 3/8", 1/2" NPTF
04	port 04 = 1/4" NPTF 38 = 3/8" NPTF 02 = 1/2" NPTF
V	V = 3-way/2-position valve, Lock-Out/Tag-Out
01	DESIGN TYPE 01 = padlock valve (manual command, "UP" = off and downstream flow exhausting, "DOWN" = on and inlet flow passing)
TF	PORT TF = NPTF Blank = BSPP thread ports

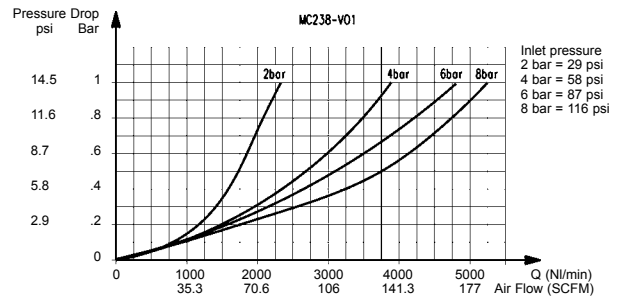
FLOW DIAGRAMS

MC104-V01TF



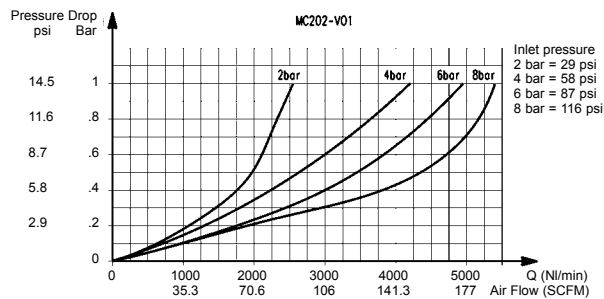
Pa = Inlet pressure
ΔP = Pressure Drop
Qn = Flow

MC238-V01TF



Pa = Inlet pressure
ΔP = Pressure Drop
Qn = Flow

MC202-V01TF

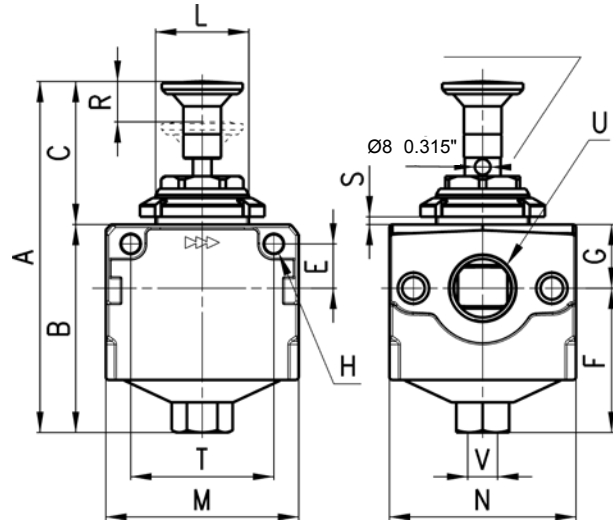
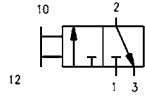


Pa = Inlet pressure
ΔP = Pressure Drop
Qn = Flow

MODULAR FRL SERIES MC

Lockable isolation valve Series MC

Look-Out hole exposed in "UP"/OFF position



DIMENSIONS (in inches)

Mod.	A	B	C	E	F	G	H	L	M	N	R	S	T	NPTF U	NPTF V	Actuation Force (at 85 psi)
MC104-V01TF	3.866	2.14	1.713	.43	1.51	.629	.177	M30x1.5	1.77	1.77	.354	0-.236	1.377	1/4"	1/8"	6.5 lbs
MC238-V01TF	4.44	2.63	1.81	.55	1.83	.807	.217	M30x1.5	2.44	2.36	.518	0-.236	1.81	3/8"	1/4"	7.0 lbs
MC202-V01TF	4.44	2.63	1.81	.55	1.83	.807	.217	M30x1.5	2.44	2.36	.518	0-.236	1.81	1/2"	1/4"	7.0 lbs