

Electropneumatic/Pneumatic Isolation Valve Series MC (Shut-off)

Port 1/4", 3/8", 1/2" NPTF:
 Model '-V16' has Solenoid Pilot
 Model '-V36' has Air Pilot
 Modular

These 3/2 way valves are designed to block the air at the inlet of the FRL group to pressurize or depressurize the equipment. The valves can either be electropneumatically or pneumatically operated and can be supplied with port 1/4", 3/8", 1/2" NPTF.

In case of a solenoid valve use coil type U7... or G7... and the coil is ordered as a separate item.



TECHNICAL SPECIFICATIONS

Construction	compact, poppet-type			
Materials	Body - Aluminum alloy, Bowl - Grilamid TR 55 (Nylon compound), Seals - Buna-N			
Port	NPTF:	1/4"	3/8"	1/2"
Weight	lbs	.69	1.53	1.48
Mounting	in-line wall or panel mounting (in any position)			
Operating temperature	-5° C - 50° C, (23° F - 122° F), with Dew Point of air at least 2° C (4° F) below the min working temperature			
Finish	Chromate treatment undercoat; Bodies - polyurethane enamel & oven-cured; Bowls - electrostatic coating of polyester epoxy & oven cured			

PNEUMATIC DATA

Operating pressure	2 — 10 bar (29 -145 psi)
Nominal flow	see graph
Outlet flow	Nominal Flow in the Exhausting Direction, 1/4" NPTF - 1080 NI/min, (38 SCFM, 3/8" & 1/2" - 2380 NI/min (83 SCFM))
Flows determined	at 6 bar with DP = 1 bar (Flow at 87 psi with pressure drop of 14.5 psi)

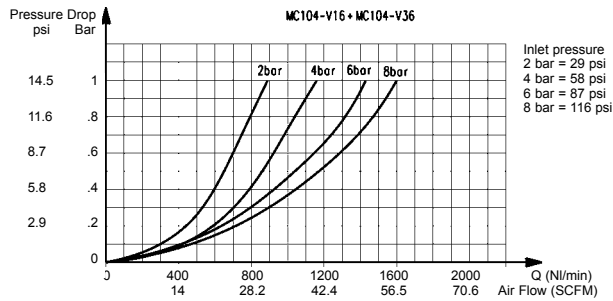
CODING EXAMPLE

MC	1	04	-	V	1	6	TF
----	---	----	---	---	---	---	----

MC	SERIES
1	SIZE 1 = 1/4" 2 = 3/8" or 1/2"
04	PORTS: 04 = 1/4" NPTF 38 = 3/8" NPTF 02 = 1/2" NPTF
V	V = 3-way/2-position valve
16	CONSTRUCTION 16 = electropneumatic — Solenoid Pilot* (*Note: Solenoid coil is ordered as a separate item. See following pages for part number selection. 36 = pneumatic — Air Pilot
TF	PORT TF = NPTF Blank = BSPP thread ports

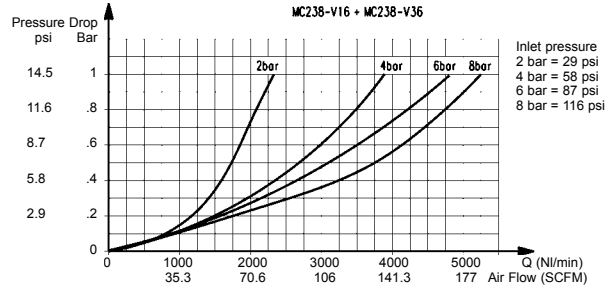
FLOW DIAGRAMS

MC104-V16TF OR V36TF



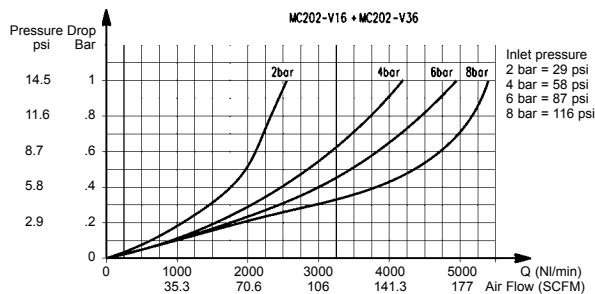
Pa = Inlet pressure
ΔP = Pressure Drop
Qn = Flow

MC238-V16TF OR V36TF



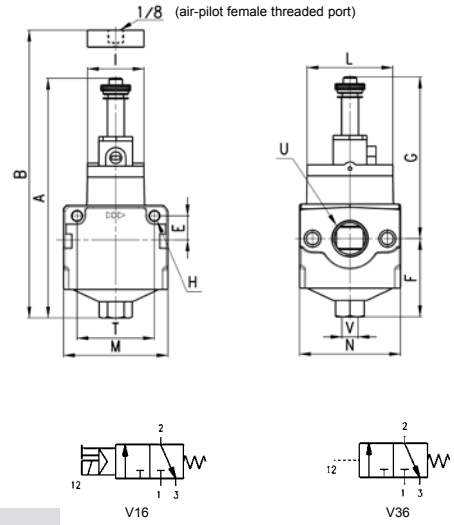
Pa = Inlet pressure
ΔP = Pressure Drop
Qn = Flow

MC202-V16TF OR V36TF



Pa = Inlet pressure
ΔP = Pressure Drop
Qn = Flow

Lockable isolation valve Series MC



DIMENSIONS (in inches)

Mod.	A	B	E	F	G	H	I	L	M	N	T	PORT U (NPTF)	EXHAUST V
MC104-V16TF	4.724	-	.433	1.515	3.208	.177	.866	1.259	1.771	1.771	1.377	1/4"	1/8"
MC238-V16TF	5.610	-	.551	1.830	3.779	.217	1.319	2.007	2.440	2.362	1.811	3/8"	1/4"
MC202-V16TF	5.610	-	.551	1.830	3.779	.217	1.319	2.007	2.440	2.362	1.811	1/2"	1/4"
MC104-V36TF	-	3.05	.433	1.515	-	.177	.866	1.259	1.771	1.771	1.377	1/4"	1/8"
MC238-V36TF	-	3.68	.551	1.830	-	.217	1.319	2.007	2.440	2.362	1.811	3/8"	1/4"
MC202-V36TF	-	3.68	.551	1.830	-	.217	1.319	2.007	2.440	2.362	1.811	1/2"	1/4"