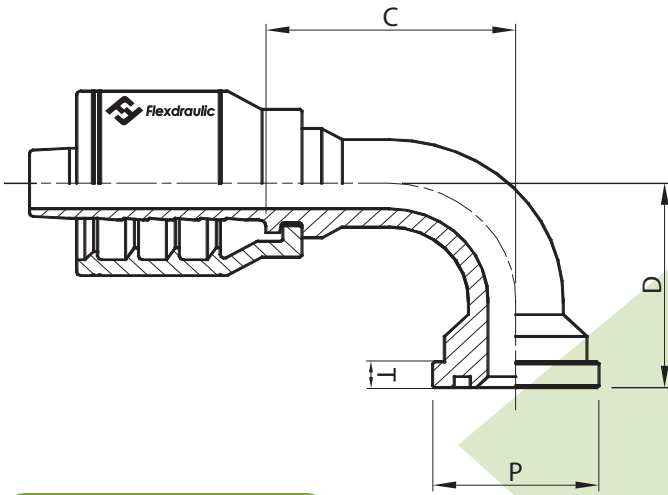


SAE Code 62 Flange - 90° Elbow



! O-Ring Available Separately
 • (See O-ring table on this page)

Part #	Hose I.D.		Code 62 Flange		Cutoff (C)	Drop (D)	P	T
	Inch	Size	Size	Flange	Inch	Inch	Inch	Inch
A12-D72	3/4"	-12	12	3/4"	2.31"	2.39"	1.62"	0.345"
A12-D76	3/4"	-12	16	1"	2.31"	2.52"	1.88"	0.375"
A16-D76	1"	-16	16	1"	2.88"	2.57"	1.88"	0.375"



O-Rings For Code 62 Flanges	
For Code 62 Flange Size	Part #
12	3021490
16	3021990

One Piece Bite The Wire