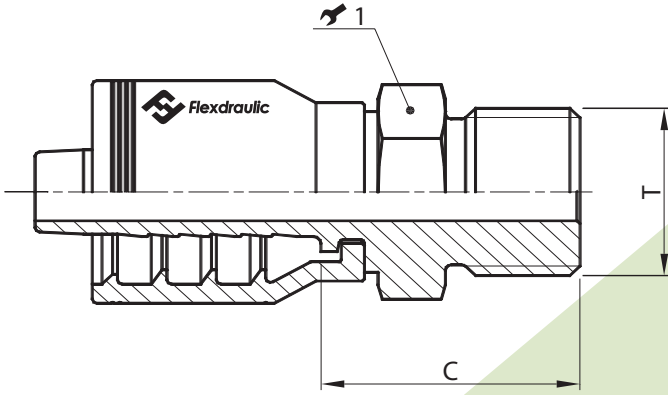


## ORB Male Rigid



! O-Ring Included

Part #	Hose I.D.		O-Ring Boss (T)		Cutoff (C)	Wrench	
	Inch	Size	Size	Thread	Inch	1 (Inch) ↗ 1 (mm)	
J08-P08	1/2"	-08	08	3/4"-16	2.79"	7/8"	22
J12-P12	3/4"	-12	12	1 1/16"-12	3.42"	1 1/4"	32
J16-P16	1"	-16	16	1 5/16"-12	4.02"	1 1/2"	38

One Piece Bite The Wire