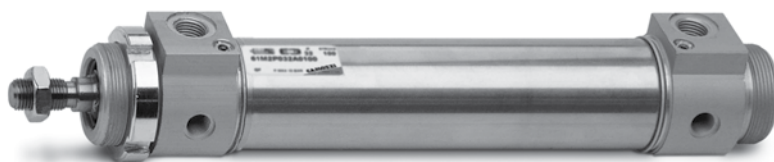


Round Body Cylinders Series 42

Single or double-acting, magnetic, cushioned
Ø 32, 40, 50, 63



- » Perfect alignment
- » Different mounting options

Cylinders Series 42 have been designed without tie rods to assure an extremely clean design.

Stainless steel has been used for the tube and the rod, while the end cover is made in anodized Aluminium. These cylinders are normally equipped with adjustable end-stroke cushioning and with a mechanical cushioning in order to make the impact of the piston less noisy as it reaches the end of the stroke.

GENERAL DATA

Type of construction	compact - crimped
Operation	single-acting or double-acting
Materials	end-caps = AL tube = stainless steel AISI 304 rod = stainless steel AISI 420B other parts (see coding)
Type of mounting	front flange, rear flange, feet, front and rear trunnion, threaded pins
Strokes min - max	10 - 1000 mm
Operating temperature	0 - 80°C (with dry air 20°C)
Operating pressure	1 - 10 bar (double-acting); 2 - 10 bar (single-acting)
Speed	10 - 1000 mm/sec (NO LOAD)
Fluid	clean air, without lubrication. If lubricated air is used, it is recommended to use oil ISOVG32. Once applied the lubrication should never be interrupted.

STANDARD STROKES FOR DOUBLE-ACTING CYLINDERS SERIES 42

✱ = Double acting
 ■ = Single acting

∅	25	50	75	80	100	125	150	160	200	250	300	320	400	500
32	✱ ■	✱ ■	✱ ■	✱	✱	✱	✱	✱	✱	✱	✱	✱	✱	✱
40	✱ ■	✱ ■	✱ ■	✱	✱	✱	✱	✱	✱	✱	✱	✱	✱	✱
50	✱ ■	✱ ■	✱ ■	✱	✱	✱	✱	✱	✱	✱	✱	✱	✱	✱
63	✱ ■	✱ ■	✱ ■	✱	✱	✱	✱	✱	✱	✱	✱	✱	✱	✱

CODING EXAMPLE

42	M	2	N	050	A	0200
-----------	----------	----------	----------	------------	----------	-------------

42	SERIES
M	VERSION M= standard magnetic
2	OPERATION 1 = single-acting (front spring) 2 = double-acting (front and rear cushions) 3 = double-acting (no cushion) 4 = double-acting (rear cushions) 5 = double-acting (front cushion) 6 = double-acting (through-rod with front and rear cushions) 7 = single-acting (through-rod)
N	MATERIALS N = rod stainless steel AISI 420B - tube stainless steel AISI 304 - NBR seals
050	BORE 032 = 32 mm 040 = 40 mm 050 = 50 mm 063 = 63 mm
A	TYPE OF DESIGN A = standard (threaded nose mount with lock nut V+ lock for nut for rod U)
0200	STROKE (see table)

COMPACT AND SHORT-STROKE CYLINDERS

ACCESSORIES FOR CYLINDERS SERIES 42



Nose nut Mod. V



Coupling piece
Mod. GKF



Self aligning rod
Mod. GK



Piston rod socket joint
Mod. GY



Rod fork end Mod. G



Foot mount Mod. P



Trunnion Mod. I



Swivel ball joint Mod. GA



Brack threaded pins
Mod. T



Piston rod nut Mod. U



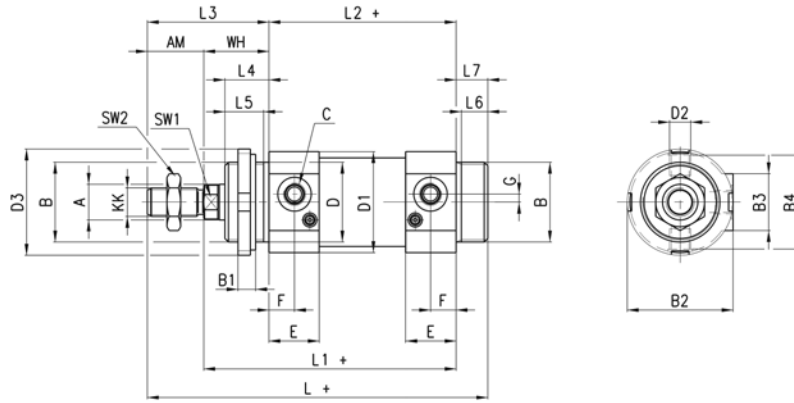
All accessories are supplied separately, except for piston rod lock Mod. U and nose nut Mod. V.

Cylinders Series 42

N.B. : the single-acting cylinders, sizes L, L1 and L2 are increased by 25 mm.



+ = add the stroke



DIMENSIONS (mm)

Ø	A	KK	B	B1	B2	B3	B4	C	D ^{d11}	D1	D2	D3	E	F	G	SW1	SW2	AM	WH	L +	L1 +	L2 +	L3	L4	L5	L6	L7	Cushion stroke
32	12	M10x1.25	M30x1.5	8	41.5	28	36	G1/8	30	38	M8x1	42	23.5	10.5	5	10	17	22	26	156	120	94	48	18	15	11	14	17
40	16	M12x1.25	M38x1.5	10	50	30	43	G1/4	38	46	M10x1	50	29	15	5	13	19	24	30	175	135	105	54	22	19	13	16	24
50	20	M16x1.5	M45x1.5	10	58.5	32	54	G1/4	40	57	M12x1.5	60	28.5	14.5	4.5	17	24	32	37	193	143	106	69	25	22	15	18	22
63	20	M16x1.5	M45x1.5	10	70.5	46.5	66	G3/8	45	70	M14x1.5	60	35	15	7	17	24	32	37	208	158	121	69	25	22	15	18	27

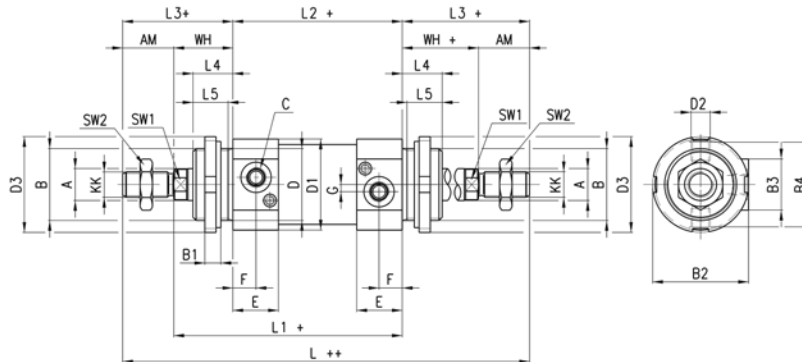
Cylinders Series 42

Through rod.

N.B. : the single-acting cylinders, sizes L, L1 and L2 are increased by 25 mm.



+ = add the stroke
++ = add the stroke 2 times



DIMENSIONS (mm)

Ø	A	KK	B	B1	B2	B3	B4	C	D	D1	D2	D3	E	F	G	SW1	AM	SW2	WH +	L ++	L1 +	L2 +	L3+	L4	L5	Cushion stroke
32	12	M10x1.25	M30x1.5	8	41.5	28	36	G1/8	30	38	M8x1	42	23.5	10.5	5	10	22	26	26	190	145	119	48	18	15	17
40	16	M12x1.25	M38x1.5	10	50	30	43	G1/4	38	46	M10x1	50	29	15	5	13	24	30	30	213	160	130	54	22	19	24
50	20	M16x1.5	M45x1.5	10	58.5	32	54	G1/4	45	57	M12x1.5	60	28.5	14.5	4.5	17	32	37	37	244	168	131	69	25	22	22
63	20	M16x1.5	M45x1.5	10	70.5	46.5	66	G3/8	45	70	M14x1.5	60	35	15	7	17	32	37	37	259	158	121	69	25	22	22

COMPACT AND SHORT-STROKE CYLINDERS

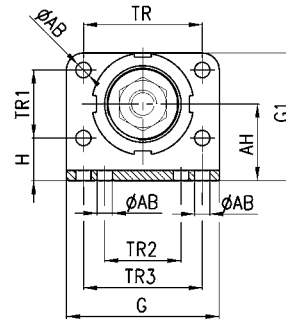
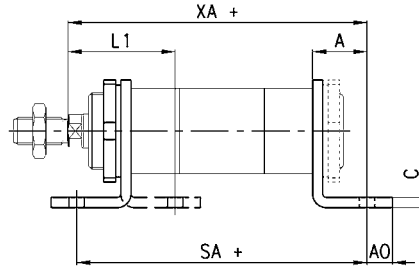
Foot mount Mod. P

Material: zinc-plated steel.



Supplied with:
1x nut
2x single feet

+ = add the stroke



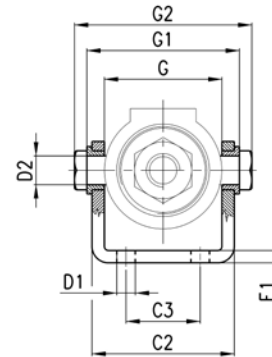
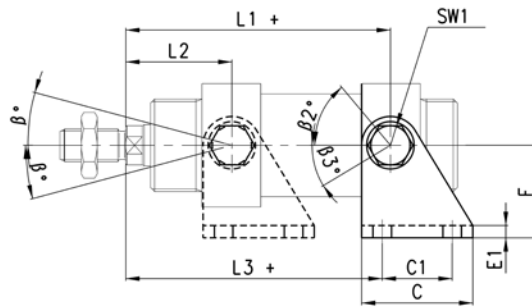
DIMENSIONS (mm)																
Mod.	Ø	L1	SA +	XA +	A	AB	AO	AH	C	G	G1	TR	TR1	TR2	TR3	H
P-42-32	32	46	142	144	24	7	11	32	4	66	53	52	28	32	52	18
P-42-40	40	53	161	163	28	9	15	36	5	80	61	60	30	36	60	21
P-42-50	50	63	170	175	32	9	15	45	6	90	75	70	40	45	70	25
P-42-63	63	63	185	190	32	9	10	50	6	96	85	76	50	50	76	25

Trunnion Mod. I

Material: zinc-plated steel.



+ = add the stroke



DIMENSIONS (mm)																
Mod.	Ø	L1 +	L2	L3 +	C	C1	C2	C3	D1	D2	E1	F	SW1	G	G1	G2
I-42-32	32	109,5	36,5	105,5	40	24	46,1	20	7	10	4	35	13	38,1	50,1	58,1
I-42-40	40	120	45	117	50	30	56,1	28	9	12	5	40	17	46,1	60,1	70,1
I-42-50	50	128,5	51,5	124,5	54	34	69,1	36	9	14	6	45	19	57,1	74,1	86,1
I-42-63	63	143	52	142	65	35	82,1	42	9	16	6	50	19	70,1	88,1	100,1

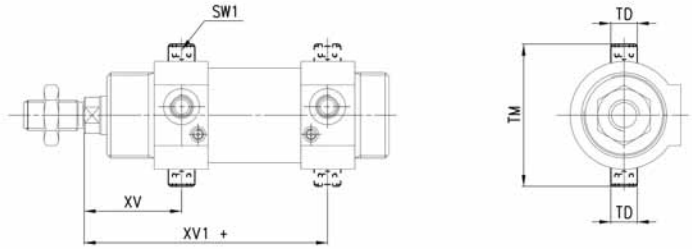
Bracket with threaded pins Mod. T

Material: stainless steel

Supplied with:
2x pins



+ = add the stroke

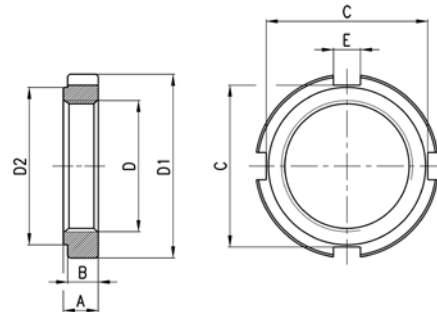


DIMENSIONS (mm)

Mod.	∅	XV	XV1+	TD	TM	SW1
T-42-32	32	36,5	109,5	10	51	5
T-42-40	40	45	120	12	61	6
T-42-50	50	51,5	128,5	14	75	6
T-42-63	63	52	143	16	90	8

Nose nut Mod.V-42

Material: zinc-plated steel

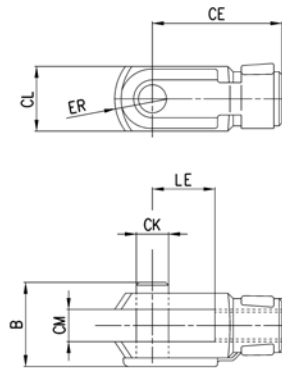


DIMENSIONS (mm)

Mod.	∅	D	D1	D2	A	B	C	E
V-42-32	32	M30X1,5	42	36	8	7	37	6,2
V-42-40	40	M38x1,5	50	48	10	9	44	7,2
V-42-50-63	50-63	M45x1,5	60	56	10	9	53	7,2

Rod fork end Mod. G

Material: stainless steel
ISO 8140

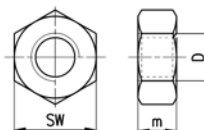


DIMENSIONS (mm)

Mod.	∅	∅CK	LE	CM	CL	ER	CE	KK	B	B1
G-25-32	32	10	20	10	20	12	40	M10X1,25	26	18
G-40	40	12	24	12	24	14	48	M12X1,25	32	20
G-50-63	50-63	16	32	16	32	19	64	M16X1,5	40	26

COMPACT AND SHORT-STROKE CYLINDERS

Piston rod lock Mod. U

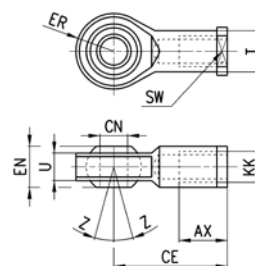


DIMENSIONS (mm)

Mod.	Ø	D	m	SW
U-25-32	32	M10X1,25	6	17
U-40	40	M12X1,25	7	19
U-50-63	50-63	M16X1,5	8	24

Swivel ball joint Mod. GA

Material: zinc-plated steel
ISO 8139

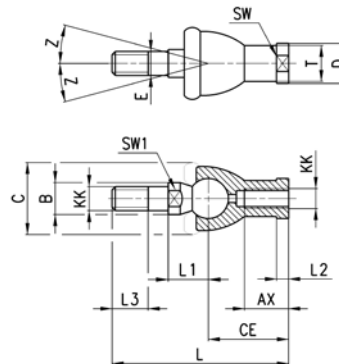


DIMENSIONS (mm)

Mod.	Ø	ØCN	U	EN	ER	AX	CE	KK	T	Z	SW
GA-32	32	10	10,5	14	14	20	43	M10X1,25	15	6,5	17
GA-40	40	12	12	16	16	22	50	M12X1,25	17,5	6,5	19
GA-50-63	50-63	16	15	21	21	28	64	M16X1,5	22	7,5	22

Piston rod socket joint Mod. GY

Material: Zinc-Aluminum alloy and
zinc-plated steel

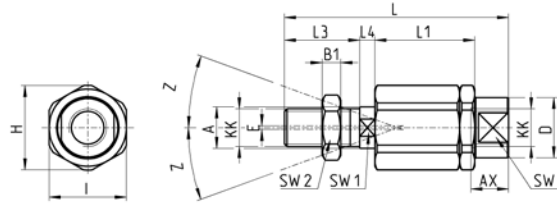


DIMENSIONS (mm)

Mod.	Ø	KK	L	CE	L2	AX	SW	SW1	L1	L3	ØT	ØD	E	ØB	ØC	Z
GY-32	32	M10x1,25	74	35	6,5	18	17	11	19,5	15	15	19	10	14	28	15
GY-40	40	M12x1,25	84	40	6,5	20	19	17	22	17	17,5	22	12	19	32	15
GY-50-63	50-63	M16x1,5	112	50	8	27	22	19	27,5	23	22	27	16	22	40	11

Self aligning rod Mod. GK

Material: zinc plated steel

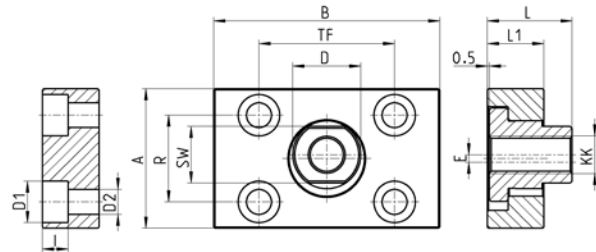


DIMENSIONS (mm)

Mod.	∅	KK	L	L1	L3	L4	∅ A	∅ D	H	I	SW	SW1	SW2	B1	AX	Z	E
GK-25-32	32	M10x1,25	71,5	35	20	7,5	14	22	32	30	19	12	17	5	22	4	2
GK-40	40	M12x1,25	75,5	35	24	7,5	14	22	32	30	19	12	19	6	22	4	2
GK-50-63	50-63	M16x1,5	104	53	32	10	22	32	45	41	27	20	24	8	30	3	2

Female Alignment Coupling Mod. GKF

Material: zinc plated steel



DIMENSIONS (mm)

Mod.	∅	KK	A	B	R	TF	L	L1	I	∅D	∅D1	∅D2	SW	E
GKF-25-32	32	M10x1,25	37	60	23	36	22,5	15	6,8	18	11	6,6	15	2
GKF-40	40	M12x1,25	56	60	38	42	22,5	15	9	20	15	9	15	2,5
GKF-50-63	50-63	M16x1,5	80	80	58	58	26,5	15	10,5	25	18	11	22	2,5

TABLE SHOWING THE COMPATIBILITY OF MAGNETIC PROXIMITY SWITCHES BY CYLINDER SERIES

Series	Ø	CST - CSH	CSV	CSB-D-220 / CSB-H-220	CSC-D-220 / CSB-H-220	CSN
24 - 25	16	S-CST-02				
	20	S-CST-03				
	25	S-CST-04				
27	20	S-CST-03				
	25	S-CST-04				
	32	S-CST-18				
	40	S-CST-19				
	50	S-CST-20				
	63	S-CST-21				
31	12	Direct mounting				
	16	Direct mounting				
	20	Direct mounting				
	25	Direct mounting				
	32	Direct mounting				
	40	Direct mounting				
	50	Direct mounting				
	63	Direct mounting				
	80	Direct mounting				
	100	Direct mounting				
32	20	Direct mounting				
	25	Direct mounting				
	32	Direct mounting				
	40	Direct mounting				
	50	Direct mounting				
	63	Direct mounting				
	80	Direct mounting				
40	160	S-CST-28				S21
	200	S-CST-28				S21
	250					S21
	160					S53
	200					S53
42	32	S-CST-18				
	40	S-CST-19				
	50	S-CST-20				
	63	S-CST-21				
50	16		Direct mounting			
	25		Direct mounting			
	32	S-CST-01				
	40	S-CST-01				
	50	S-CST-01				
	63	S-CST-01				
	80	S-CST-01				
	52	25	Direct mounting			
60	32	S-CST-25				Direct mounting
	40	S-CST-25				Direct mounting
	50	S-CST-25				Direct mounting
	63	S-CST-25				Direct mounting
	80	S-CST-26				Direct mounting
	100	S-CST-26				Direct mounting
60 + 45N	125	S-CST-27				S21
	32	S-CST-45N1				
	40	S-CST-45N1				
	50	S-CST-45N1				
	63	S-CST-45N1				
	80	S-CST-45N2				
100	S-CST-45N2					

TABLE SHOWING THE USE OF CAMOZZI MAGNETIC PROXIMITY SWITCHES

Series	Ø	CST - CSH	CSV	CSB-D-220 / CSB-H-220	CSC-D-220 / CSC-H-220
61	32	Direct mounting			
	40	Direct mounting			
	50	Direct mounting			
	63	Direct mounting			
	80	Direct mounting			
	100	Direct mounting			
	125	Direct mounting			
62	32	Direct mounting (CSH only)			
	40	Direct mounting (CSH only)			
	50	Direct mounting (CSH only)			
	63	Direct mounting (CSH only)			
	80	Direct mounting (CSH only)			
	100	Direct mounting (CSH only)			
69	32	Direct mounting			
	40	Direct mounting			
	50	Direct mounting			
	63	Direct mounting			
	80	Direct mounting			
	100	Direct mounting			
	125	Direct mounting			
90	32	S-CST-25			
	40	S-CST-25			
	50	S-CST-25			
	63	S-CST-25			
	80	S-CST-26			
	100	S-CST-26			
	125	S-CST-27			
92	32	S-CST-06			
	40	S-CST-07			
	50	S-CST-08			
	63	S-CST-09			
94	16	S-CST-05			
	20	S-CST-05			
94/95	25	S-CST-05			
CGA	10		Direct mounting		
	16		Direct mounting		
	20		Direct mounting		
	25		Direct mounting		
	32		Direct mounting		
CGB	16		Direct mounting		
	20		Direct mounting		
	25		Direct mounting		
	32		Direct mounting		
CGC	50		Direct mounting		
	64		Direct mounting		
	80		Direct mounting		
	100		Direct mounting		
	125		Direct mounting		
CGL	10			Direct mounting	
	16			Direct mounting	
	20			Direct mounting	
	25			Direct mounting	
	32			Direct mounting	
CGP	10		Direct mounting		
	16		Direct mounting		
	20		Direct mounting		
	25		Direct mounting		
	32		Direct mounting		
CGS	16		Direct mounting		
	20		Direct mounting		
	25		Direct mounting		
	32		Direct mounting		

COMPACT AND SHORT-STROKE CYLINDERS

TABLE SHOWING THE USE OF CAMOZZI MAGNETIC PROXIMITY SWITCHES

Series	Ø	CST - CSH	CSV	CSB-D-220 CSB-H-220	CSC-D-220 CSC-H-220
QC	20	Direct mounting			
	25	Direct mounting			
	32	Direct mounting			
	40	Direct mounting			
	50	Direct mounting			
	63	Direct mounting			
	80	Direct mounting			
QP-QPR	12		Direct mounting		
	16		Direct mounting		
	20	S-CST-01			
	25	S-CST-01			
	32	S-CST-01			
	40	S-CST-01			
	50	S-CST-01			
	63	S-CST-01			
	80	S-CST-01			
	100	S-CST-01			
QCBF	20	Direct mounting			
	25	Direct mounting			
	32	Direct mounting			
	40	Direct mounting			
QCTF	20	Direct mounting			
	25	Direct mounting			
	32	Direct mounting			
	40	Direct mounting			
QX	10				Direct mounting
	16				Direct mounting
	20				Direct mounting
	25				Direct mounting
	32				Direct mounting