

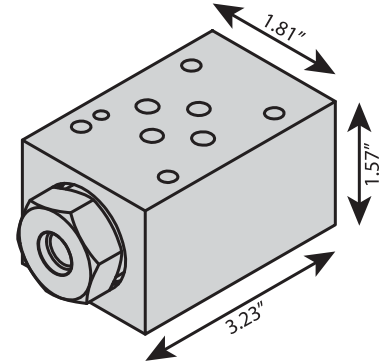
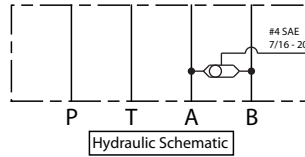
D03 Shuttle Sandwich

9505573

• Utilize this space saving D03 shuttle sandwich to eliminate external plumbing in hydraulic circuits. • This valve is commonly used for load-sense applications and pressure-released hydraulic brakes.

Specifications

- #4 SAE O-Ring Port (7/16 - 20)
- Aluminum Construction (6061)
- 3500 PSI Maximum Operating Pressure
- 2 GPM Maximum Flow On Load-Sense/Brake Release Port
- Steel Ball & Steel Seats For Tough Dependable Performance
- Low Internal Leakage - 5 Drops Per Minute Maximum
- Buna-N Seals
- Filter Oil To 25 Micron Or Better
- No Mounting Restrictions



Stock Number	Valve Pattern	Port Size	Product Wt.	Ship Wt.
9505573	D03	#4 SAE (7/16-20)	0.85	2.00