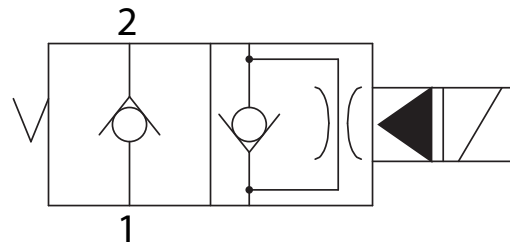
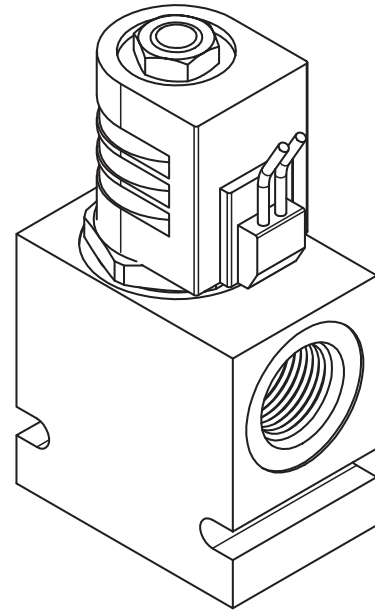
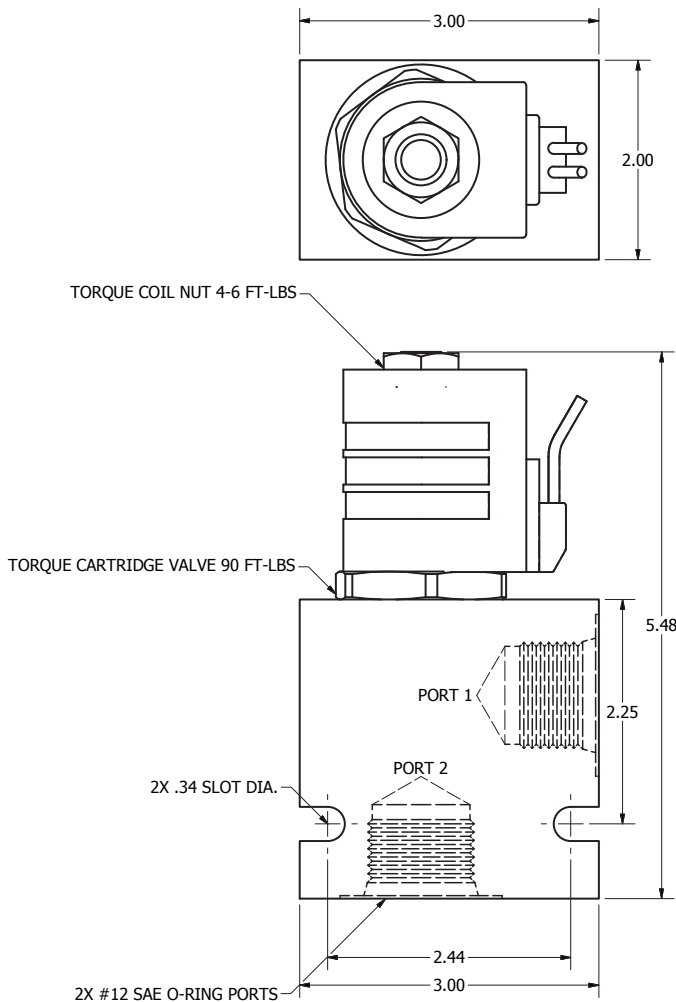




## Technical Information



**Normally Closed:** When de-energized the valve blocks flow from (1) to (2) and allows reverse flow from (2) to (1). When energized the valve allows flow from (1) to (2) and restricts flow from (2) to (1).

- Flow: 30 GPM
- Pressure: 3500 PSI
- Typical Internal Leakage: 0-10 drops/min
- Temperature Range: -40°F to +250°F
- Ports: #12 SAE O-Ring
- Voltage: 12 VDC
- Amperage: 1.8 Amps
- Nominal Wattage: 22 Watts
- Duty Rating: Continuous
- 2-Way/2-Position Valve
- Aluminum Body
- Anodized Black
- Double Lead Coil
- Yellow Lead Wires
- 18 Gauge Wires
- 24" Long Wires

