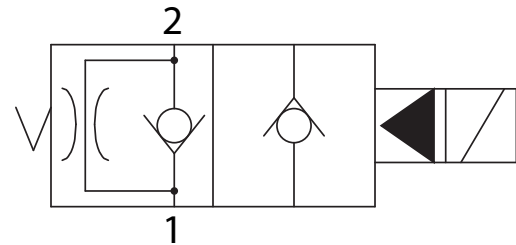
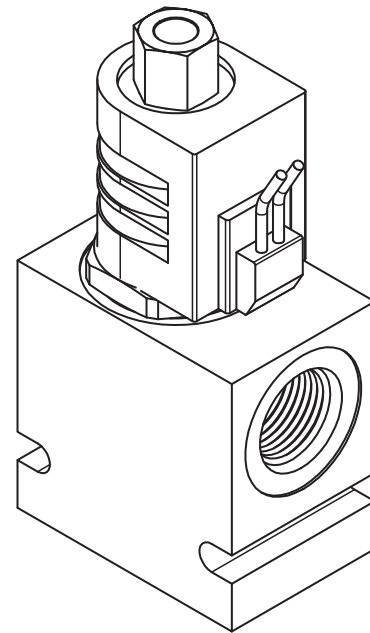
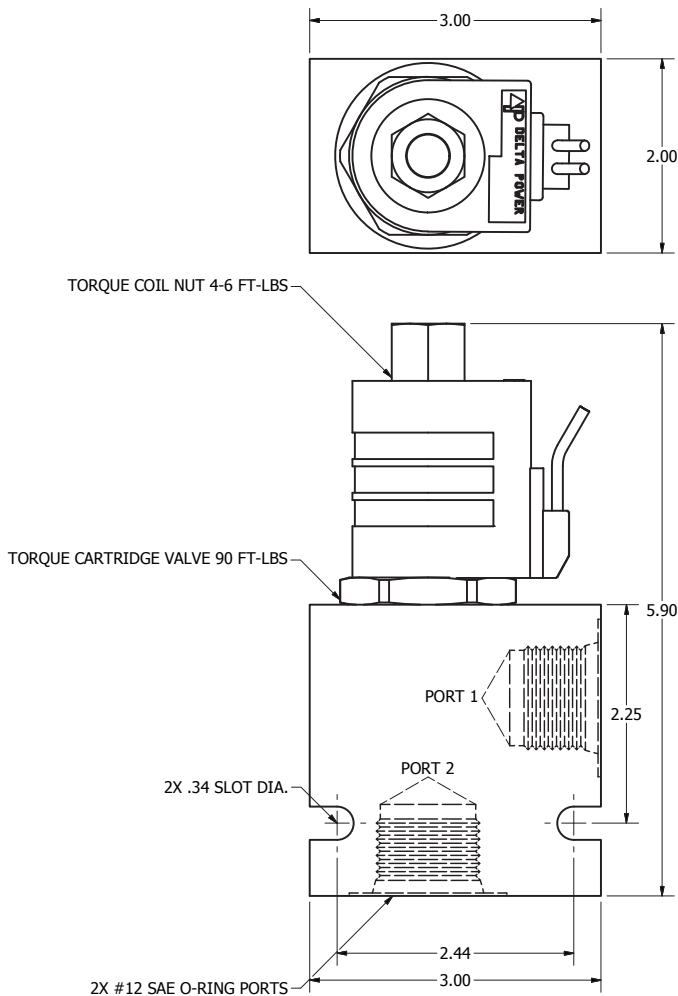




Technical Information



Normally Open: When de-energized the valve allows flow to pass from port (1) to (2), but restricts flow from (2) to (1). When energized the valve blocks flow from (1) to (2) but allows free reverse flow from (2) to (1).

- Flow: 40 GPM
- Pressure: 3000 PSI
- Typical Internal Leakage: 0-10 drops/min
- Temperature Range: -40°F to +250°F
- Ports: #12 SAE O-Ring
- Voltage: 12 VDC
- Amperage: 1.8 Amps
- Nominal Wattage: 22 Watts
- Duty Rating: Continuous
- 2-Way/2-Position Valve
- Aluminum Body
- Anodized Black
- Double Lead Coil
- Yellow Lead Wires
- 18 Gauge Wires
- 24" Long Wires

