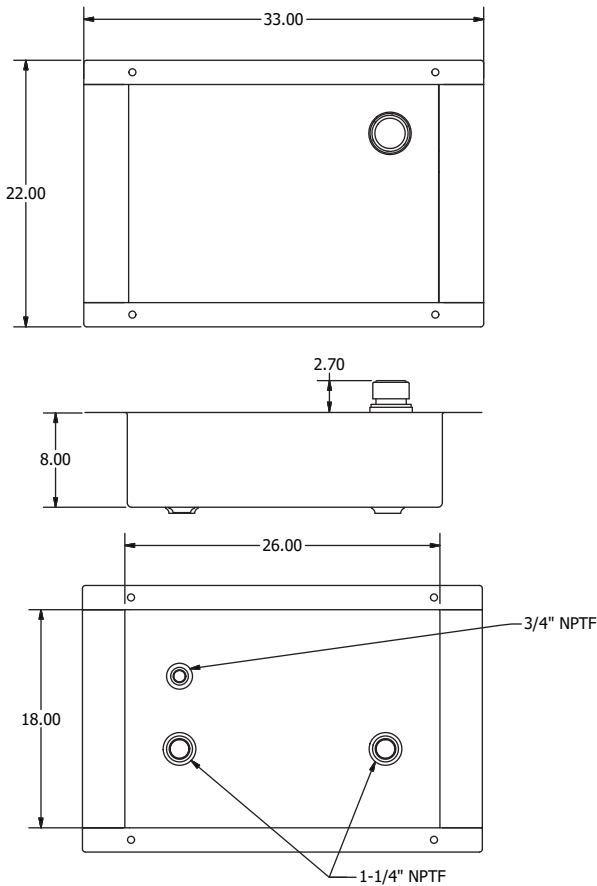


In-Frame Hydraulic Tank

9503003



Dimensions



- This reservoir is designed for use when there is limited space on the side of the frame, or even to keep the truck frame clean of extra components
- 15 Gallon Reservoir
- Pressurized Filler/Breather
- Baffled Reservoir to Keep Oil Circulating
- Spring Tension Mounting Hardware for in Between Frame Mounting
- No Drilling in Frame Required
- Compact Reservoir Keeps the Reservoir Hidden
- Heavy Duty Powder Coated Steel - Black
- Mounting Hardware Included