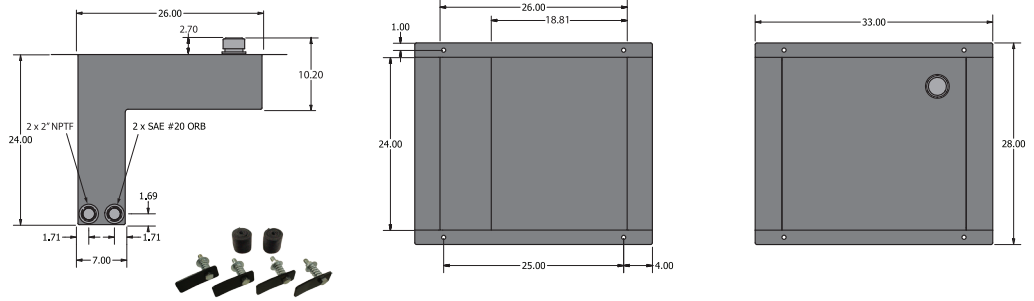


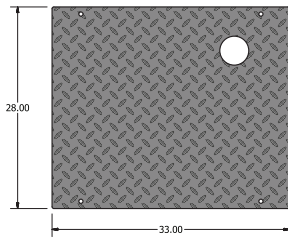
## 30 Gallon In-Frame Hydraulic Tank

Steel tank assembly, fully baffled, designed for use inside the truck frame. (2) 2" NPTF suction ports and (2) #20 SAE O-Ring return ports. Powder coated black. Pressurized filler/breather assembly including 40 micron filter/breather cap (chain mounted) with strainer basket and bayonet closure. No drilling in frame required. Spring tension mounting hardware included for between frame rail mounting.

Stock Number	Ship Wt.
9503002	235



### Optional Top Plate



Stock Number	Ship Wt.
1230820	35

