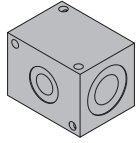


Aluminum Header Manifolds

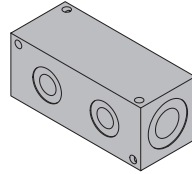
• Aluminum Construction • 0° Design • SAE O-Ring Ports • Header manifolds are designed to provide outlet ports that are common to one header through port.

1-Station Header Manifolds



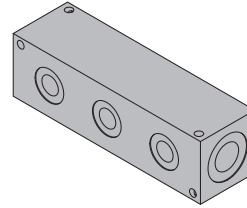
Stock Number	Side Ports	Header Ports	Ship Wt.
7068349	-8	-6	1.02
7068353	-12	-8	1.68
7068357	-16	-12	2.45
7068361	-20	-16	3.86

2-Station Header Manifolds



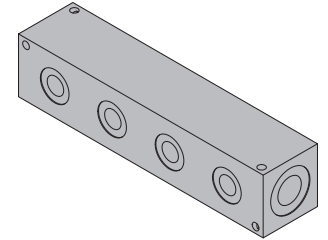
Stock Number	Side Ports	Header Ports	Ship Wt.
7068350	-8	-6	2.50
7068354	-12	-8	3.11
7068358	-16	-12	5.21
7068362	-20	-16	7.84

3-Station Header Manifolds

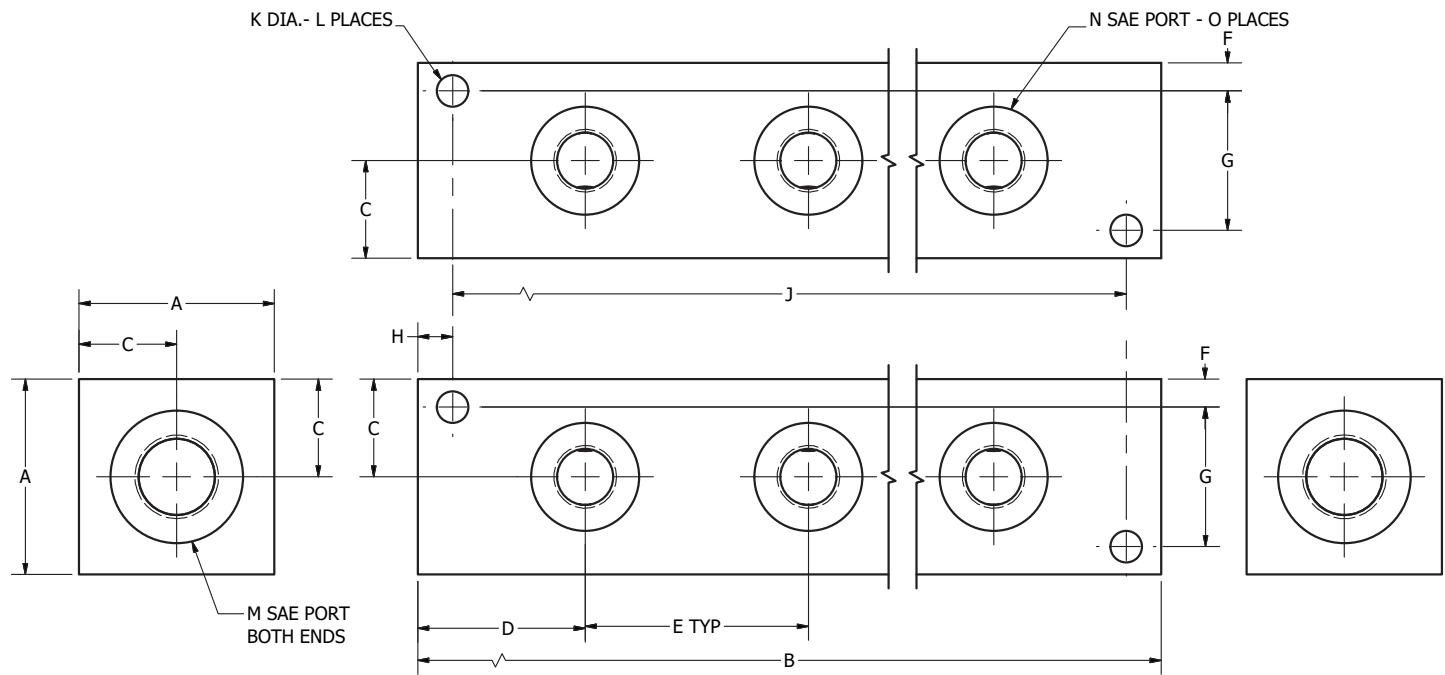


Stock Number	Side Ports	Header Ports	Ship Wt.
7068351	-8	-6	3.10
7068355	-12	-8	4.04
7068359	-16	-12	7.20

4-Station Header Manifolds



Stock Number	Side Ports	Header Ports	Ship Wt.
7068352	-8	-6	3.70
7068356	-12	-8	5.12
7068360	-16	-12	9.20



Stock Number	No. of Stations	A	B	C	D	E	F	G	H	J	K	L	M	N	O
7068349	1	1.750	3.000	0.875	1.5	NA	0.250	1.250	0.313	2.375	0.281	4	-8	-6	1
7068350	2		5.000			4.375				2					
7068351	3		7.000			6.375				3					
7068352	4	2.250	9.000	1.125	1.5	NA	0.250	1.750	0.313	8.375	0.281	4	-12	-8	4
7068353	1		3.000			2.375				1					
7068354	2		5.375			4.750				2					
7068355	3	2.500	7.750	1.25	1.813	2.375	0.281	1.938	0.375	7.125	0.344	4	-16	-12	3
7068356	4		10.125			9.500				4					
7068357	1		3.625			2.875				1					
7068358	2	3.000	6.875	1.500	2.000	NA	0.344	2.313	0.375	6.125	0.406	4	-20	-16	2
7068359	3		10.125			9.375				3					
7068360	4		13.375			12.625				4					
7068361	1	3.000	4.000	1.500	2.000	NA	0.344	2.313	0.375	3.250	0.406	4	-20	-16	1
7068362	2		7.750			7.000				2					