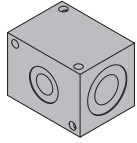


## Aluminum Header Manifolds

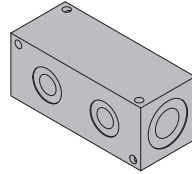
• Aluminum Construction • 180° Design • SAE O-Ring Ports • Header manifolds are designed to provide outlet ports that are common to one header through port.

### 1-Station Header Manifolds



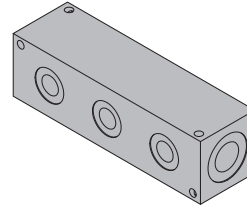
Stock Number	Side Ports	Header Ports	Ship Wt.
7068333	-8	-6	1.02
7068337	-12	-8	1.62
7068343	-16	-12	2.22
7068345	-20	-16	3.86

### 2-Station Header Manifolds



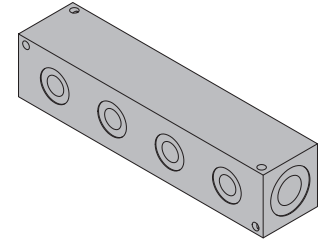
Stock Number	Side Ports	Header Ports	Ship Wt.
7068334	-8	-6	1.62
7068338	-12	-8	2.86
7068332	-16	-12	4.44
7068345	-20	-16	7.17

### 3-Station Header Manifolds

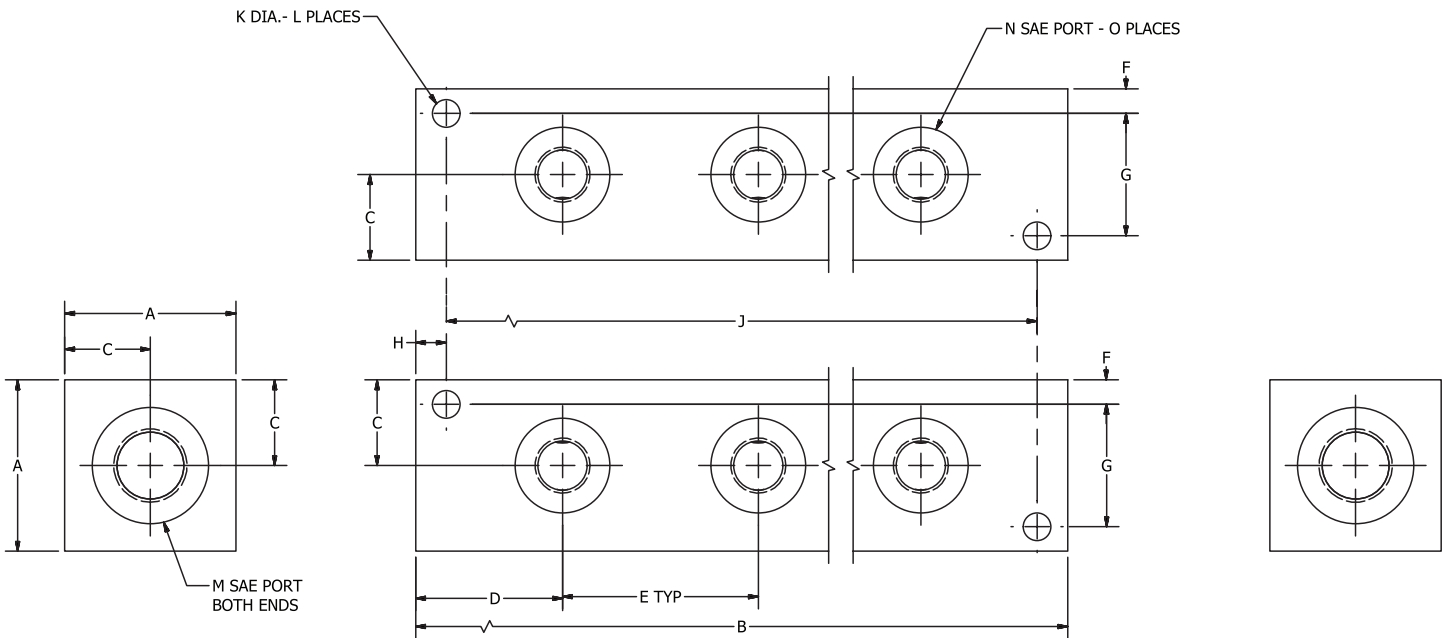


Stock Number	Side Ports	Header Ports	Ship Wt.
7068335	-8	-6	2.22
7068339	-12	-8	4.04
7068342	-16	-12	6.43

### 4-Station Header Manifolds



Stock Number	Side Ports	Header Ports	Ship Wt.
7068336	-8	-6	2.82
7068340	-12	-8	5.21
7068343	-16	-12	8.42



Part No.	No. of Stations	A	B	C	D	E	F	G	H	J	K	L	M	N	O
7068333	1	1.750	3.000	0.875	1.5	NA	0.250	1.250	0.313	2.375	0.281	4	-8	-6	2
7068334	2		5.000			4.375				4					
7068335	3		7.000			6.375				6					
7068336	4	2.250	9.000	1.125	1.5	NA	0.250	1.750	0.313	8.375	0.281	4	-12	-8	8
7068337	1		3.000			2.375				2					
7068338	2		5.375			4.750				4					
7068339	3	2.500	7.750	1.25	1.813	2.375	0.281	1.938	0.375	7.125	0.344	4	-16	-12	6
7068340	4		10.125			9.500				6					
7068341	1		3.625			2.875				2					
7068342	2	3.000	6.875	1.500	2.000	NA	0.344	2.313	0.375	6.125	0.406	4	-20	-16	4
7068343	3		10.125			9.375				6					
7068344	4		13.375			12.625				8					
7068345	2	3.000	4.000	1.500	2.000	NA	0.344	2.313	0.375	3.250	0.406	4	-20	-16	2
7068345	2		7.750			7.000				4					