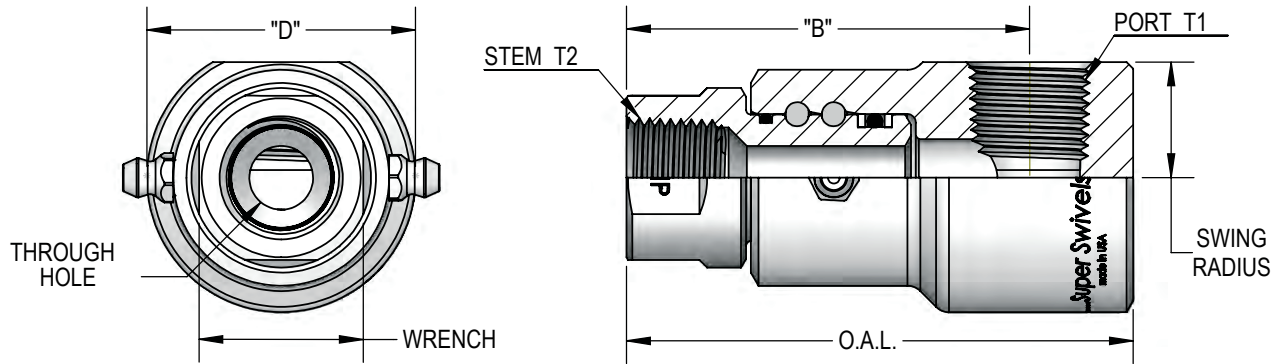


# 10,000 P.S.I. Female Pipe (N.P.T.F.) X Female Pipe N.P.T.F.)



Not Available  
In Stainless Steel!

PART NUMBER	O.A.L.	DIM. B	DIM. D Ø	WRENCH	PORT T1	STEM T2	SWG. RADIUS	MAX. P.S.I.G.	THROUGH HOLE
9 SS 8 HP FP 38 X FP 38	2.940	2.340	1.520	1.125	3/8-18 N.P.T.F.	3/8-18 N.P.T.F.	0.660	10,000	0.437
9 SS 8 HP FP 50 X FP 50	3.470	2.895	1.842	1.125	1/2-14 N.P.T.F.	1/2-14 N.P.T.F.	1.048	10,000	0.437