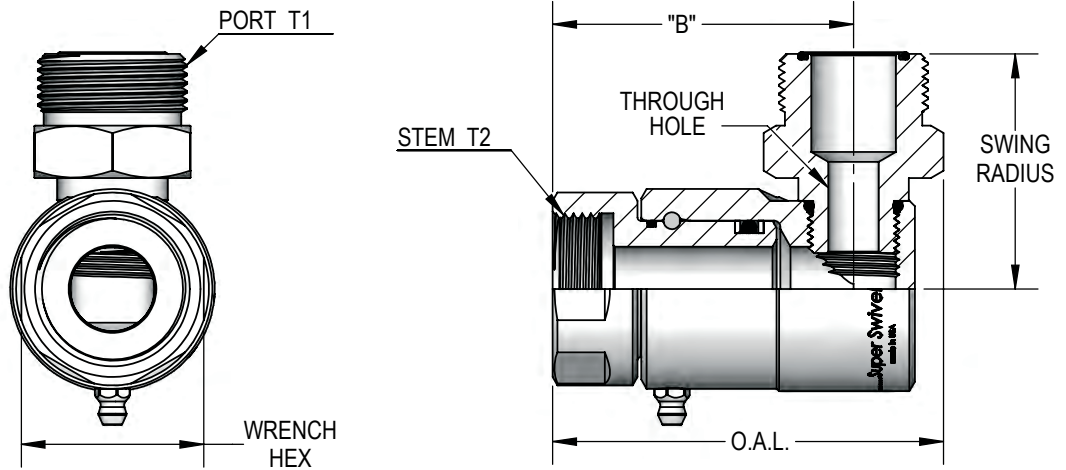


Female Face Seal (F.F.S.) X Male Face Seal (M.F.S.)



Not Available
In Stainless Steel!

PART NUMBER	O.A.L.	DIM. B	DIM. C	PORT T1	STEM T2	WRENCH/HEX	SWING RADIUS	MAX P.S.I.G.	THROUGH HOLE
9 SS 4 FFS 6 X MFS 6	2.465	1.950	0.375	11/16-16 U.N.	11/16-16 U.N.	0.875	1.450	5000	0.250
9 SS 8 FFS 8 X MFS 8	2.670	2.120	0.433	13/16-16 U.N.	13/16-16 U.N.	1.120	1.706	5000	0.264
9 SS 8 FFS 10 X MFS 10	2.720	2.170	0.504	1-14 U.N.	1-14 U.N.	1.250	1.826	5000	0.297
9 SS 12 FFS 12 X MFS 12	2.950	2.310	0.571	1 ³ / ₁₆ -12 U.N.	1 ³ / ₁₆ -12 U.N.	1.500	2.135	4500	0.378
9 SS 16 FFS 16 X MFS 16	3.370	2.890	0.583	1 ⁷ / ₁₆ -12 U.N.	1 ⁷ / ₁₆ -12 U.N.	1.750	2.255	4000	0.484
9 SS 20 FFS 20 X MFS 20	4.190	3.180	0.583	1 ¹¹ / ₁₆ -16 U.N.	1 ¹¹ / ₁₆ -12 U.N.	2.125	2.658	4000	0.718
9 SS 24 FFS 24 X MFS 24	5.060	3.840	0.583	2-12 U.N.	2-12 U.N.	2.375	2.845	4000	0.811