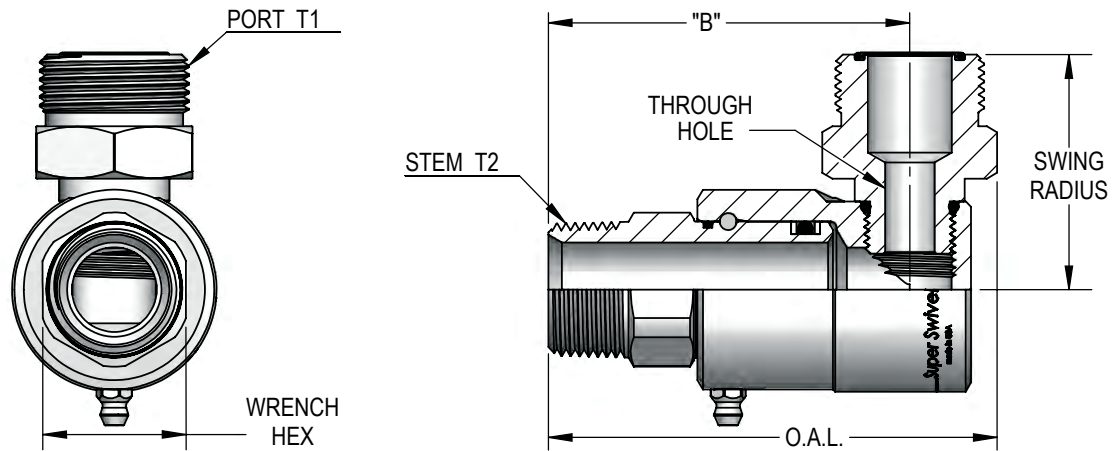


Male Pipe (N.P.T.F.) X Male Face Seal (M.F.S.)



Not Available
In Stainless Steel!

PART NUMBER	O.A.L.	DIM. B	WRENCH/HEX	PORT T1	STEM T2	SWG. RADIUS	MAX. P.S.I.G.	THROUGH HOLE
9 SS 4 MP 25 X MFS 6	2.640	2.130	0.625	11/16-16 U.N.	1/4-18 N.P.T.F.	1.314	5000	0.265
9 SS 4 MP 38 X MFS 6	2.720	2.210	0.750	11/16-16 U.N.	3/8-18 N.P.T.F.	1.314	5000	0.265
9 SS 8 MP 38 X MFS 6	2.670	2.125	1.000	11/16-16 U.N.	3/8-18 N.P.T.F.	1.432	5000	0.265
9 SS 8 MP 38 X MFS 8	2.670	2.125	1.000	13/16-16 U.N.	3/8-18 N.P.T.F.	1.669	5000	0.265
9 SS 8 MP 50 X MFS 8	3.170	2.620	1.000	13/16-16 U.N.	1/2-14 N.P.T.F.	1.669	5000	0.265
9 SS 8 MP 50 X MFS 10	3.170	2.620	1.000	1-14 U.N.	1/2-14 N.P.T.F.	1.826	5000	0.265
9 SS 12 MP 75 X MFS 12	3.400	2.760	1.125	13/16-12 U.N.	3/4-14 N.P.T.F.	2.089	4500	0.389
9 SS 16 MP 100 X MFS 16	4.320	3.462	1.375	17/16-12 U.N.	1-11 1/2 N.P.T.F.	2.255	4000	0.484
9 SS 20 MP 125 X MFS 20	4.800	3.795	1.750	11 1/16-12 U.N.	1 1/4-11 1/2 N.P.T.F.	2.658	4000	0.718
9 SS 24 MP 150 X MFS 24	5.846	4.620	1.995	2-12 U.N.	1 1/4-11 1/2 N.P.T.F.	2.904	4000	0.844