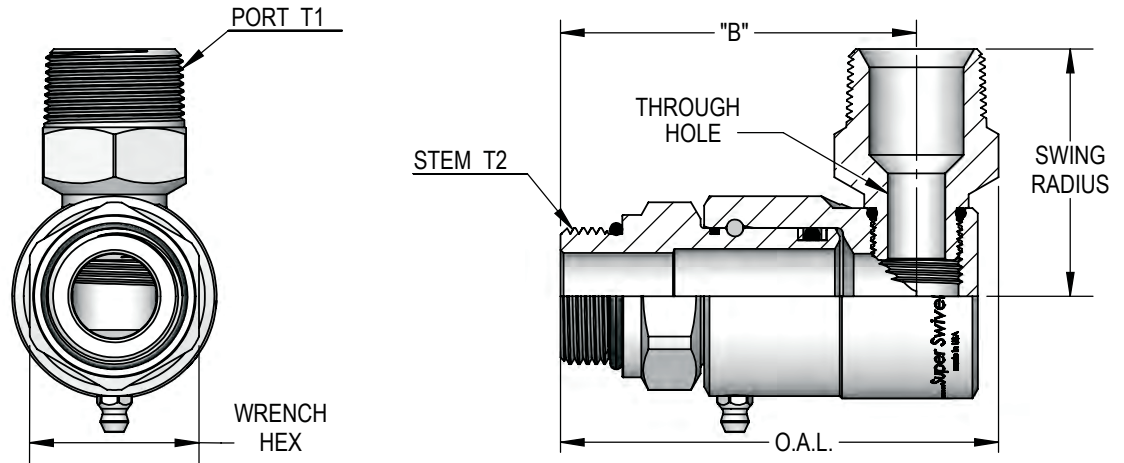


Male O-Ring (O.R.B.) X Male Pipe (N.P.T.F.)



Not Available
In Stainless Steel!

PART NUMBER	O.A.L.	DIM. B	WRENCH/HEX	PORT T1	STEM T2	SWG. RADIUS	MAX. P.S.I.G.	THROUGH HOLE
9 SS 4 MO 4 X MP 25	2.727	2.215	0.625	1/4-18 N.P.T.F.	7/16-20 U.N.	1.440	3500	0.172
9 SS 4 MO 6 X MP 25	2.727	2.215	0.750	1/4-18 N.P.T.F.	9/16-18 U.N.	1.440	3500	0.250
9 SS 4 MO 6 X MP 38	2.727	2.215	0.750	3/8-18 N.P.T.F.	9/16-18 U.N.	1.440	3500	0.297
9 SS 8 MO 8 X MP 38	2.923	2.376	1.000	3/8-18 N.P.T.F.	3/4-16 U.N.	1.556	3500	0.297
9 SS 8 MO 8 X MP 50	2.923	2.376	1.000	1/2-14 N.P.T.F.	3/4-16 U.N.	1.848	3500	0.297
9 SS 8 MO 10 X MP 38	3.045	2.498	1.000	3/8-18 N.P.T.F.	7/8-14 U.N.	1.556	3500	0.297
9 SS 8 MO 10 X MP 50	3.045	2.498	1.000	1/2-14 N.P.T.F.	7/8-14 U.N.	1.848	3500	0.297
9 SS 12 MO 12 X MP 75	3.389	2.749	1.375	3/4-14 N.P.T.F.	1 1/16-12 U.N.	1.998	3500	0.484
9 SS 16 MO 16 X MP 100	4.210	3.411	1.625	1-11 1/2 N.P.T.F.	1 5/16-12 U.N.	2.370	3500	0.550
9 SS 20 MO 20 X MP 125	4.477	3.755	1.875	1 1/4-11 1/2 N.P.T.F.	1 5/8-12 U.N.	2.987	3500	0.827
9 SS 24 MO 24 X MP 150	5.690	4.540	2.125	1 1/2-11 1/2 N.P.T.F.	1 7/8-12 U.N.	3.050	3500	0.944