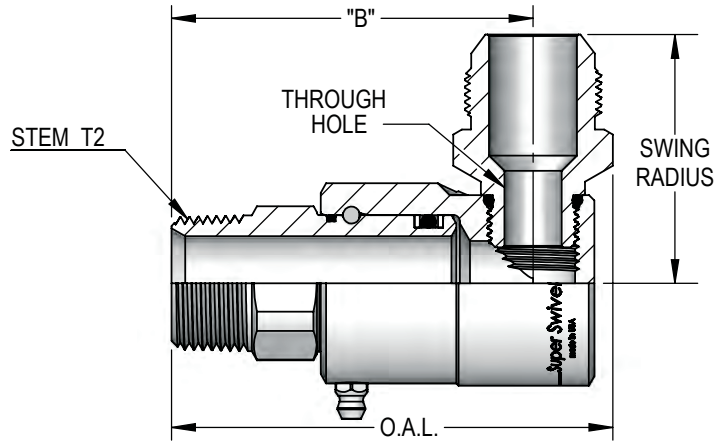
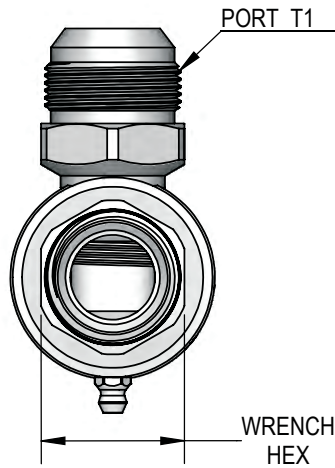


Male Pipe (N.P.T.F.) X Male J.I.C. (37°)



Not Available
In Stainless Steel!

PART NUMBER	O.A.L.	DIM. B	WRENCH/HEX	PORT T1	STEM T2	SWG. RADIUS	MAX. P.S.I.G.	THROUGH HOLE
9 SS 4 MP 25 X MJ 4	2.640	2.130	0.625	7/16-20 U.N.	1/4-18 N.P.T.F.	1.454	3500	0.170
9 SS 4 MP 25 X MJ 6	2.640	2.130	0.625	9/16-18 U.N.	1/4-18 N.P.T.F.	1.454	3500	0.250
9 SS 4 MP 38 X MJ 6	2.720	2.210	0.750	9/16-18 U.N.	3/8-18 N.P.T.F.	1.454	3500	0.250
9 SS 8 MP 38 X MJ 8	3.095	2.548	1.000	3/4-16 U.N.	3/8-18 N.P.T.F.	1.712	3500	0.297
9 SS 8 MP 50 X MJ 8	3.170	2.620	1.000	3/4-16 U.N.	1/2-14 N.P.T.F.	1.712	3500	0.297
9 SS 8 MP 50 X MJ 10	3.220	2.673	1.000	7/8-14 U.N.	1/2-14 N.P.T.F.	1.978	3500	0.297
9 SS 12 MP 75 X MJ 12	3.409	2.760	1.125	1 1/16-12 U.N.	3/4-14 N.P.T.F.	2.235	3500	0.385
9 SS 16 MP 100 X MJ 16	4.255	3.462	1.375	1 5/16-12 U.N.	1-11 1/2 N.P.T.F.	2.384	3500	0.550
9 SS 20 MP 125 X MJ 20	4.805	3.795	1.750	1 5/8-12 U.N.	1 1/4-11 1/2 N.P.T.F.	2.970	3500	0.827
9 SS 24 MP 150 X MJ 24	5.740	4.620	2.000	1 7/8-12 U. N.	1 1/2-11 1/2 N.P.T.F.	3.097	3500	0.944