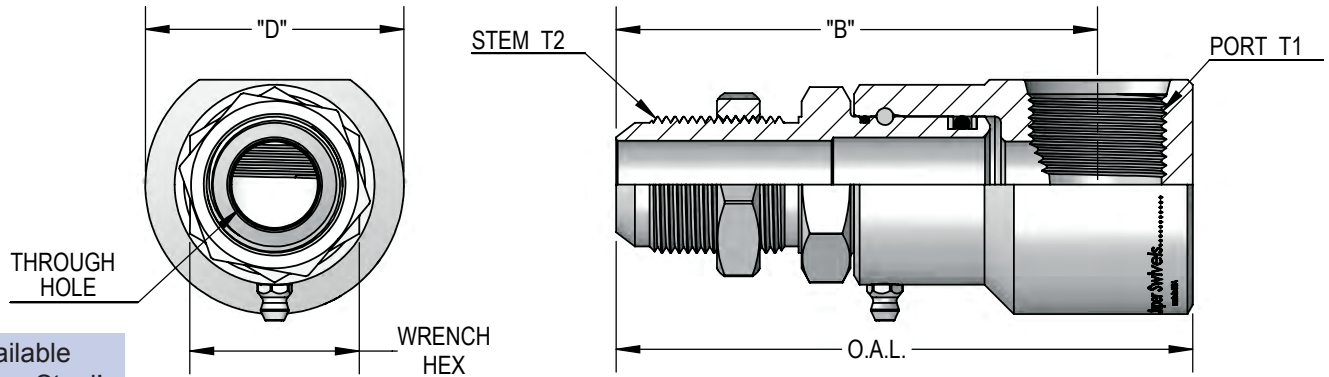


# Male J.I.C. Bulkhead (37°) X Female O-Ring (O.R.B.)



Not Available  
In Stainless Steel!

PART NUMBER	O.A.L.	DIM. B	DIM. D Ø	WRENCH/HEX	PORT T1	STEM T2	SWG. RADIUS	MAX. P.S.I.G.	THROUGH HOLE
9 SS 4 MJB 6 X FO 6	3.500	2.990	1.290	.812	9/16-18 U.N.	9/16-18 U.N.	0.580	5000	0.250
9 SS 8 MJB 8 X FO 8	3.800	3.240	1.662	1.000	3/4-16 U.N.	3/4-16 U.N.	0.703	5000	0.391
9 SS 8 MJB 10 X FO 8	4.030	3.480	1.662	1.125	3/4-16 U.N.	7/8-14 U.N.	0.703	5000	0.484
9 SS 12 MJB 12 X FO 12	4.765	3.940	2.172	1.375	1 <sup>1</sup> / <sub>16</sub> -12 U.N.	1 <sup>1</sup> / <sub>16</sub> -12 U.N.	0.900	4500	0.609
9 SS 16 MJB 16 X FO 16	5.530	4.615	2.482	1.625	1 <sup>5</sup> / <sub>16</sub> -12 U.N.	1 <sup>5</sup> / <sub>16</sub> -12 U.N.	1.009	4000	0.827
9 SS 20 MJB 20 X FO 20	6.102	5.019	2.977	1.875	1 <sup>5</sup> / <sub>8</sub> -12 U.N.	1 <sup>5</sup> / <sub>8</sub> -12 U.N.	1.184	4000	1.078