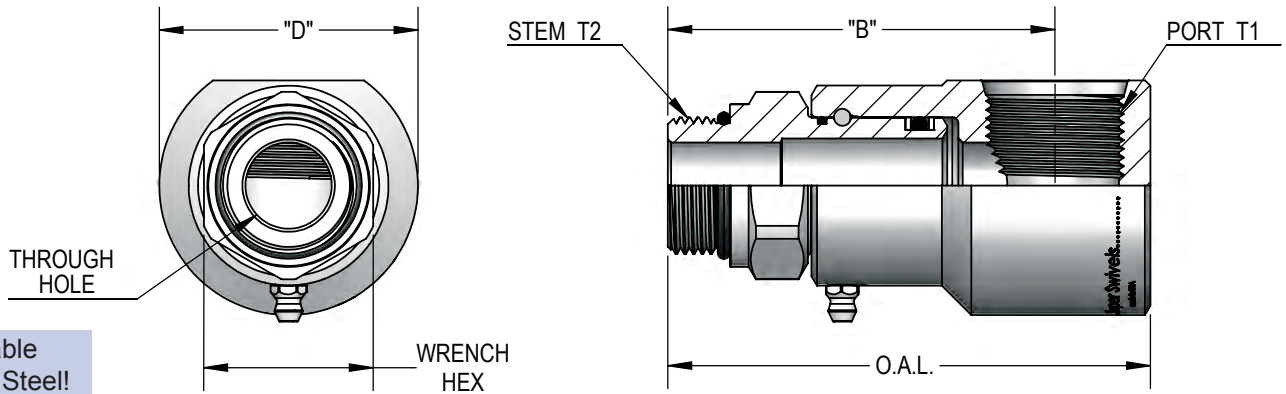


# Male O-Ring (O.R.B.) X Female O-Ring (O.R.B.)



Not Available  
In Stainless Steel!

PART NUMBER	O.A.L.	DIM. B	DIM. D Ø	WRENCH/HEX	PORT T1	STEM T2	SWG. RADIUS	MAX. P.S.I.G.	THROUGH HOLE
9 SS 4 MO 4 X FO 6	2.727	2.215	1.292	0.625	9/16-18 U.N.	7/16-20 U.N.	0.541	5000	0.172
9 SS 4 MO 6 X FO 6	2.727	2.215	1.292	0.750	9/16-18 U.N.	9/16-18 U.N.	0.541	5000	0.250
9 SS 8 MO 8 X FO 8	2.920	2.375	1.662	1.000	3/4-16 U.N.	3/4-16 U.N.	0.703	5000	0.391
9 SS 8 MO 10 X FO 8	3.050	2.500	1.662	1.000	3/4-16 U.N.	7/8-14 U.N.	0.703	5000	0.484
9 SS 12 MO 12 X FO 12	3.709	2.884	2.172	1.375	1 1/16-12 U.N.	1 1/16-12 U.N.	0.900	4500	0.609
9 SS 16 MO 16 X FO 16	4.624	3.709	2.482	1.625	1 5/16-12 U.N.	1 5/16-12 U.N.	1.009	4000	0.827
9 SS 20 MO 20 X FO 20	5.127	4.044	2.977	1.875	1 5/8-12 U.N.	1 5/8-12 U.N.	1.184	4000	1.078