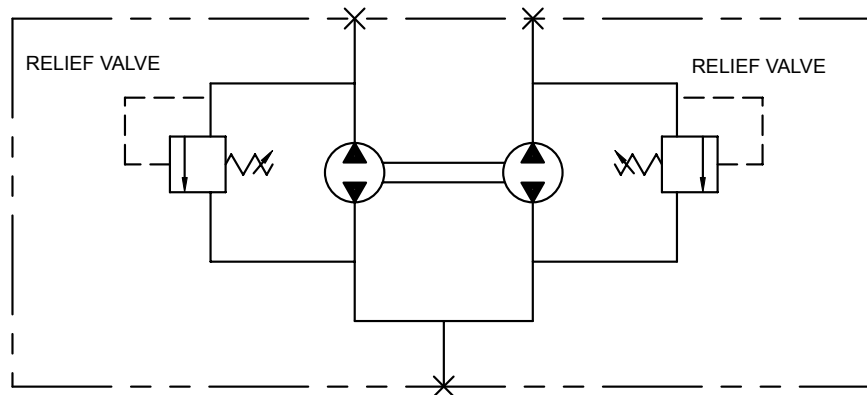
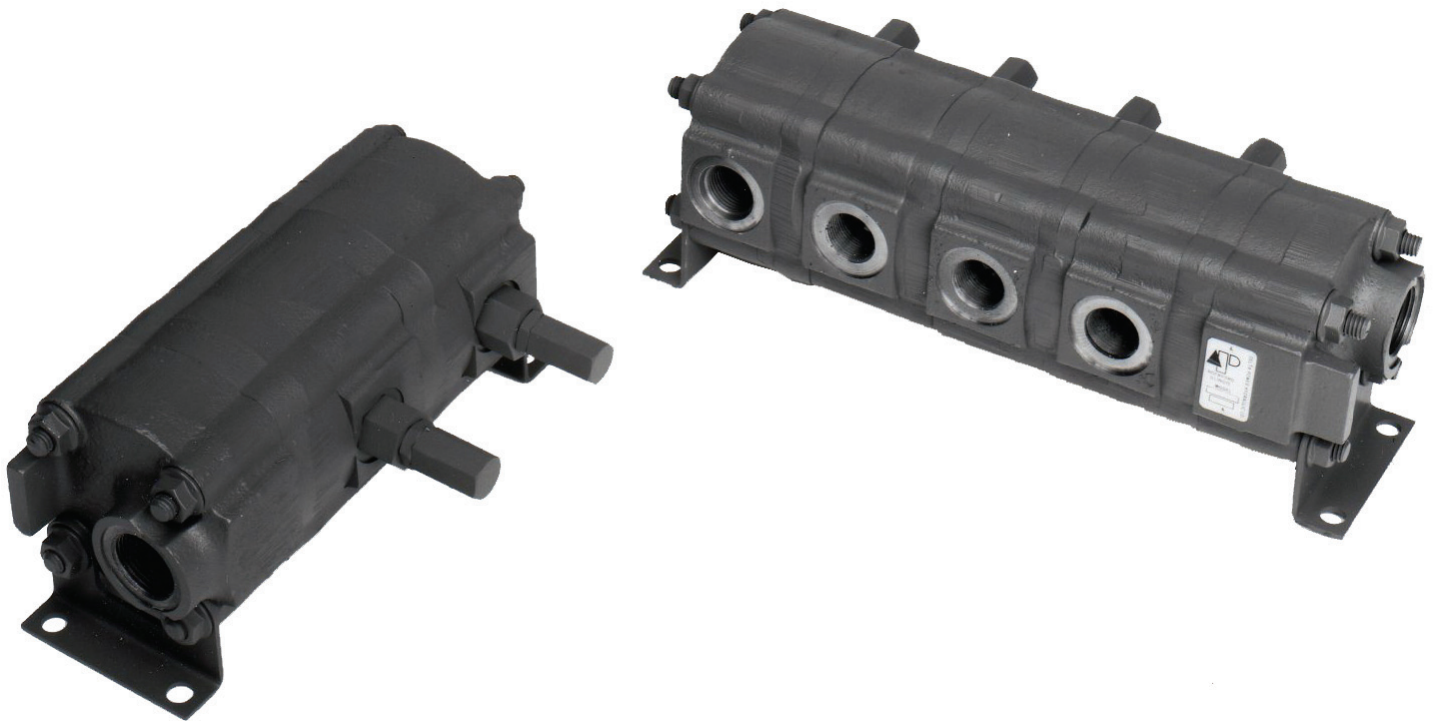


*HPR Series, Heavy Duty with Relief Valves*



HYDRAULIC SCHEMATIC  
(TWO SECTION SHOWN)

5000 PSI (345 Bar) Intermittent Duty

3000 PSI (206 Bar) Continuous Duty *Note: HPR26-XX and HPR27-XX are 2000 PSI (137 Bar)*

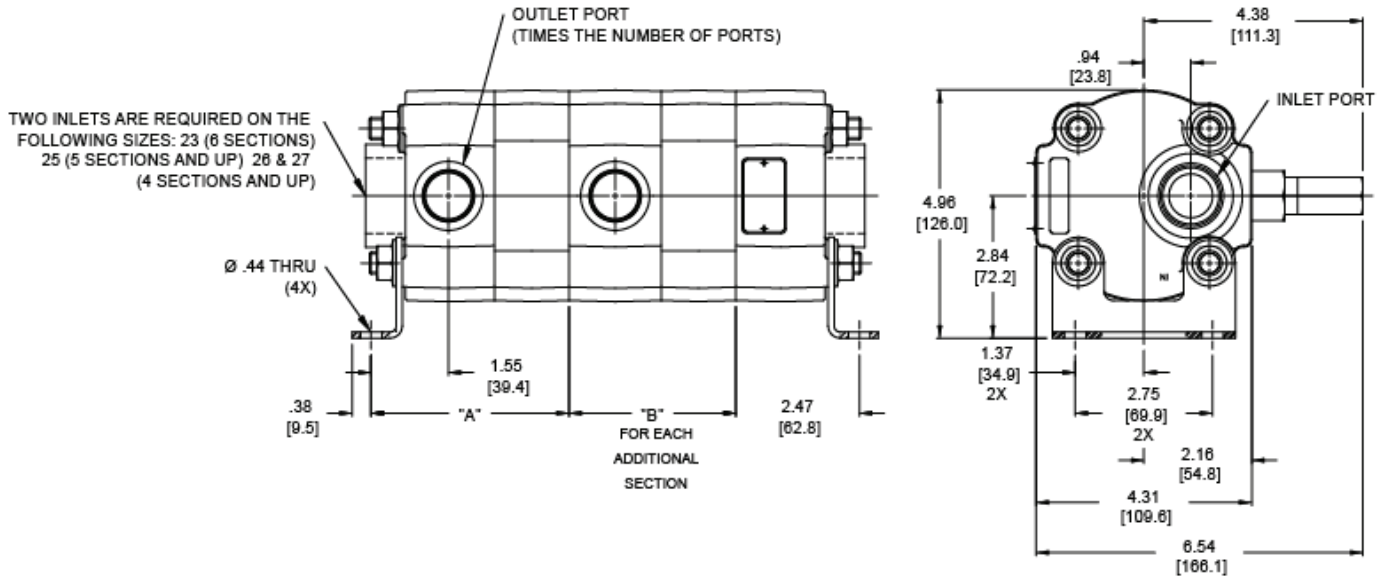
3000 PSI Delta P between Sections, Intermittently

Standard Setting on Relief Valves – 750 PSI Differential between Outlet and Inlet Pressure

*Note that these relief valves do not offer system relief protection. They simply limit the pressure between the outlet and inlet of the flow divider, and will aid in re-phasing whenever as section runs against a stop.*

Standard Ports – 1 5/16 12 SAE Inlet, 1 1/16-12 SAE Outlet

**WARNING:** The specifications/application data shown in our catalogs and data sheets are intended only as a general guide for the product described (herein). Any specific application should not be undertaken without independent study, evaluation, and testing for suitability.



EQUAL FLOW				
TWO SECTION				
(2) SECTION MODEL	0 PSI DISPLACEMENT PER SECTION GAL./REV,	DIMENSION		MAX. INLET @3500 RPM GPM [LPM]
		A	B	
HPR23	0.00304	3.19 [81.0]	2.56 [65.0]	21 GPM [79 LPM]
HPR27	0.06330	3.96 [100.6]	3.34 [84.8]	44 GPM [166 LPM]

Note: Dimensions in [XX.X] are mm

EQUAL FLOW				
MULTI-SECTION				
(MIXED FLOW BUILDABLE ARE ALSO AVAILABLE)				
(4) SECTION MODEL	0 PSI DISPLACEMENT PER SECTION GAL./REV,	DIMENSION		MAX. INLET @3500 RPM GPM [LPM]
		A	B	
HPR21-59	0.00178	2.89 [73.4]	2.26 [57.4]	25 GPM [95 LPM]
HPR23-59	0.00304	3.19 [81.0]	2.56 [65.0]	42 GPM [160 LPM]
HPR25-59	0.00425	3.47 [88.1]	2.85 [72.4]	59 GPM [223 LPM]
HPR26-59	0.00531	3.72 [94.5]	3.10 [78.7]	74 GPM [280 LPM]
HPR27-59	0.00633	3.96 [100.6]	3.34 [84.8]	88 GPM [333 LPM]

Note: Dimensions in [XX.X] are mm

**FOR QUIETER OPERATION LIMIT SPEED TO 2000 RPM**

**WARNING:** The specifications/application data shown in our catalogs and data sheets are intended only as a general guide for the product described (herein). Any specific application should not be undertaken without independent study, evaluation, and testing for suitability.