

Standard "L" Type Coils

STANDARD COIL DATA
L-Type coil 5/8" I.D.

FEATURES:

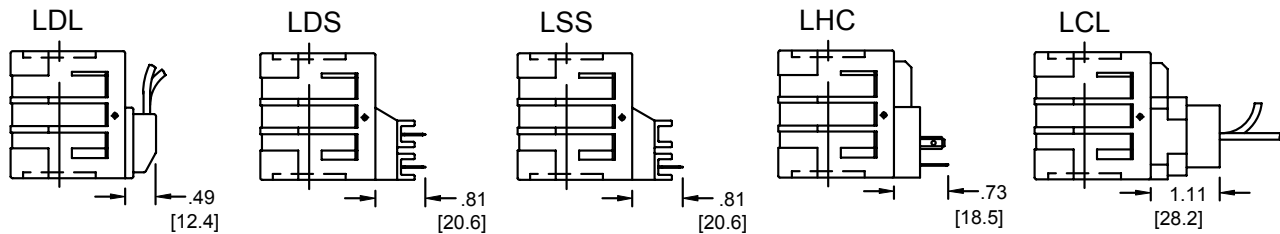
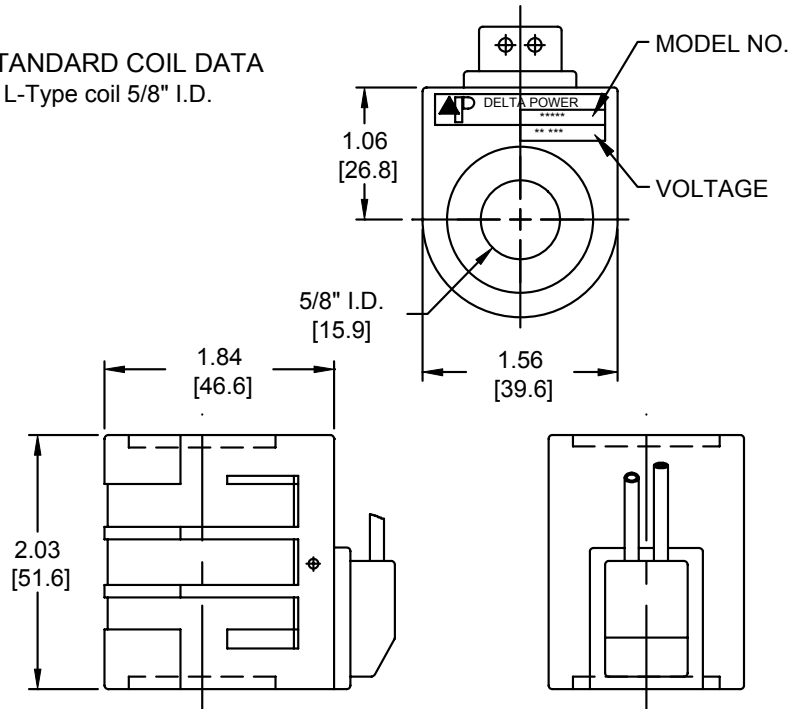
One piece water resistant encapsulated design.

Numerous terminals and voltages.

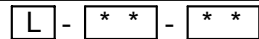
Heavy gauge color coded lead wire.

Each coil is reversible (can be installed on cartridges in both directions with equal efficiency.)

NOTE:
FOR COIL SELECTION IN EXTREME CONDITIONS, PLEASE LOOK AT OUR "I" COIL LINE OF ENVIRONMENTAL COILS



ORDERING INFORMATION

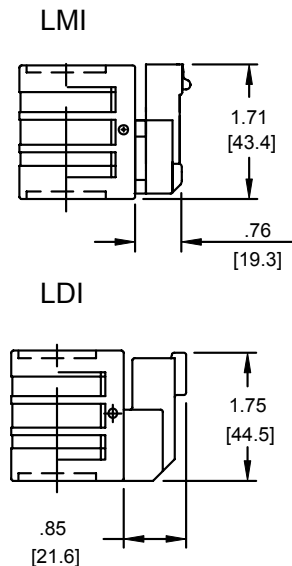


WHEN ORDERING FILL IN ALL BOXES

1: BASIC MODEL NO.	2: TERMINATION	3: VOLTAGE
L-Type One Piece Encapsulated Coil	DL - Double Lead DT - Deutsch on Leads DT04-2P DI - Deutsch - Integral DT04-2P ML - Metri-Pack on Leads (12162000) MI - Metri-Pack - Integral (12162000) PL - Packard on Leads (150 Series) WL - Weatherpack on Leads (12010972) SS - Single Spade DS - Double Spade HC - DIN 43650 (Hirschman) - (AC/DC) CL - Conduit Lead - (AC ONLY)	06 -6VDC 12 -12VDC 24 -24VDC 36 -36VDC 48 -48VDC 25 -24VAC 11 -110VAC 13 -125VAC 22 -220VAC 23 -250VAC 44 -440VAC
22 WATT STD. COIL		

FEB. 2005
REV F

(ALL COILS DC VOLTAGE EXCEPT AS NOTED)
APPROXIMATE COIL ASSEMBLY WEIGHT: .63 lbs./29 kg.



WARNING: The specifications/application data shown in our catalogs and data sheets are intended only as a general guide for the product described (herein). Any specific application should not be undertaken without independent study, evaluation, and testing for suitability.

Phone: (815) 397-6628

Fax: (815) 397-2526

E-mail: delta@delta-power.com

Standard "L" Type Coils

Coil Model Numbers:

Termination	LDL	LDS	LHC	LCL		
Description	Double Lead	Double Spade	Hirschmann Connector	Double Lead Conduit	Lead Wire Color	AC Voltage Range
Voltage Amp	12VDC 1.8	12VDC 1.8	12VDC 1.8		YELLOW	
Voltage Amp	24VDC .9	24VDC .9	24VDC .9		BLUE	
Voltage Amp					GREEN	
Voltage Amp					BROWN	
Voltage Amp					BLUE/ BLACK	
Voltage Amp			110VAC *.16	110VAC *.16	RED/ WHITE	* 100VAC 115VAC
Voltage Amp					RED	* 115VAC 130VAC
Voltage Amp			220VAC *.08	220VAC *.08	BLACK/ WHITE	* 200VAC 230VAC
Voltage Amp					VIOLET/ WHITE	* 225VAC 260VAC
Voltage Amp					VIOLET	* 400VAC 460VAC

Data in this chart reflects current usage. Additional terminations, connections and suppression devices are available. Consult the factory for special applications.

Specifications:

- Wattage: 22 watts nominal.
- Duty Rating: Continuous duty $\pm 10\%$ rated voltage at 120°F (49°C) ambient.
- Minimum Current for Actuation: 80% of rated current at room temperature.
- Magnet Wire Class: N for all voltages.
- Temperature Range: -40°F (-40°C) to 392°F (200°C).
- Lead Wires: 18 gauge, 24" long, 600 volt rating, with strain relief.
- Encapsulating Material: Glass filled polyester, resistant to moisture, caustic solutions, fungus and vibrations. Material temperature range is -40°F (-40°C) to 392°F (200°C).
- Color Identification: Black
- Note: Delta Power A.C. Coils incorporate integrally molded full wave rectifiers which are rated for reverse voltage peaks of 1000 volts maximum.
A.C. Coils are rated 50/60 HZ.
* Optimum operating voltage noted.
Conduit connectors on A.C. coils have a maximum torque spec of 5 Ft. Lbs.

WARNING: The specifications/application data shown in our catalogs and data sheets are intended only as a general guide for the product described (herein). Any specific application should not be undertaken without independent study, evaluation, and testing for suitability.

Phone: (815) 397-6628

Fax: (815) 397-2526

E-mail: delta@delta-power.com