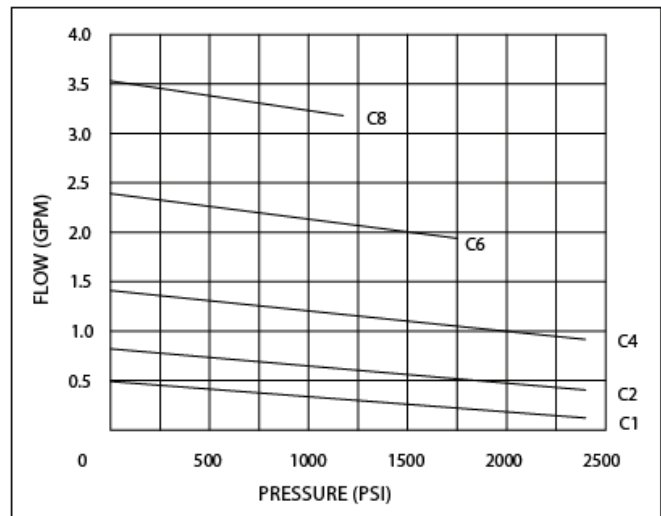
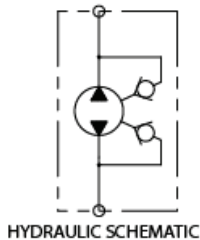
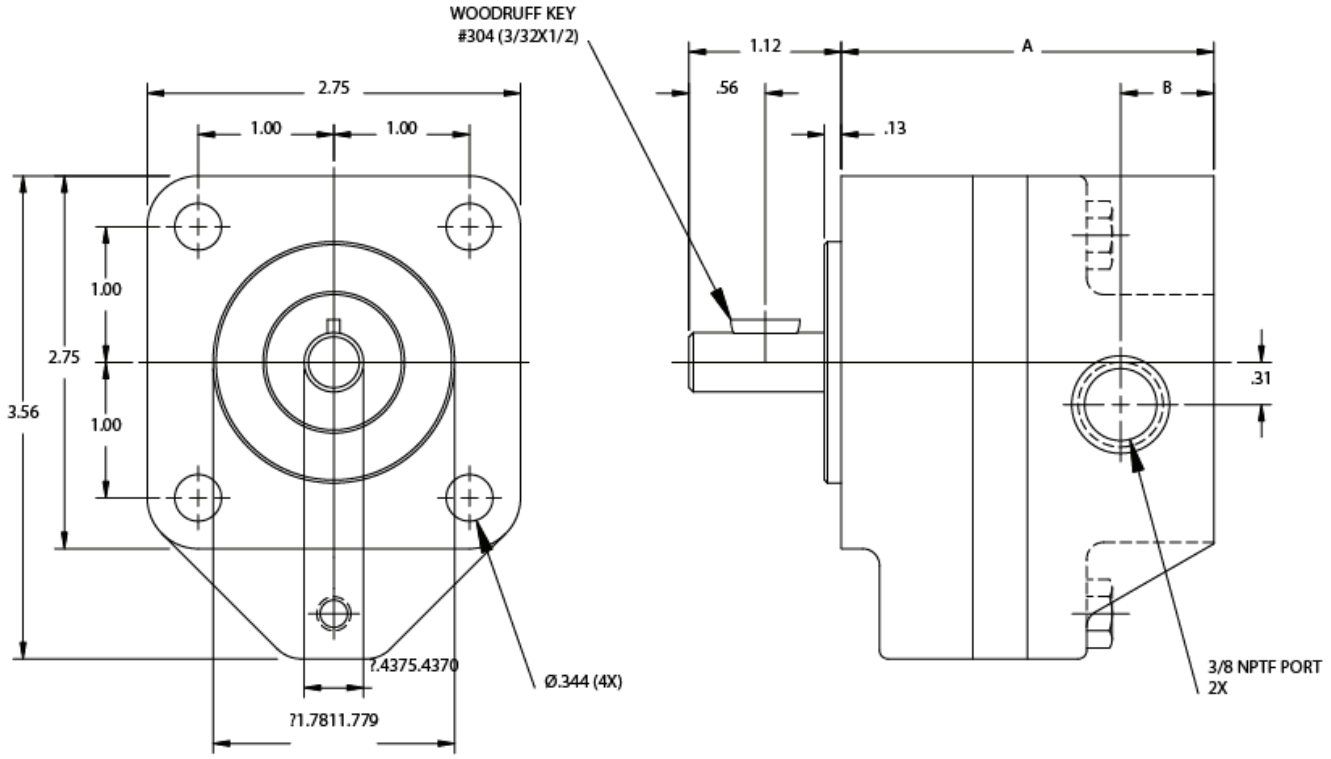


C1-C8 Pump, Bi-Directional



MODEL	GPM AT 1750 RPM	0 PSI DISP. GAL./REV.	DISP. CU. IN./REV.	SLIP GPM PER 100 PSI	MAX. PUMP PRESSURE INTERMITTENT DUTY	MAX. PUMP PRESSURE CONTINUOUS DUTY	SPEED MAX. RPM	A	B
C1	0.49	0.00028	0.065	0.015	2400	1500	5000	2.48	0.69
C2	0.82	0.00047	0.108	0.017	2400	1500	5000	2.57	0.69
C4	1.41	0.00081	0.187	0.020	2400	1500	4000	2.74	0.69
C6	2.39	0.00137	0.316	0.025	1750	1100	3000	3.02	0.69
C8	3.53	0.00202	0.468	0.030	1200	750	1800	3.34	0.69

WARNING: The specifications/application data shown in our catalogs and data sheets are intended only as a general guide for the product described (herein). Any specific application should not be undertaken without independent study, evaluation, and testing for suitability.

Phone: (815) 397-6628

Fax: (815) 397-2526

E-mail: delta@delta-power.com