

B Series Power Packages

B Series Power Unit with 1 Gallon Tank



B Series Power Unit with 5 Gallon Tank



Caution: Relief valves must be set prior to installation. They are not factory preset. Relief valves will include springs which will allow relief valves settings to the pressures indicated on the chart.

With the 1, 1 ½ or 2 ½ gallon tank and TEFC 56 frame motors, B models are one of the most compact, utilized power packages available today. The 1 and 1 ½ gallon tank unit includes a custom heat dissipating aluminum tank and an externally adjustable relief valve. Units can be mounted horizontally (foot down) or vertically (tank down). TEFC motors are 56 frame specially configured for Delta Power B units, 4 pole motors run at the highly desirable speed of 1725 RPM rather than the 3450 version normally used on competitor's units.

While each unit is a complete power unit, their scope is radically increased by adapting to valve accessories like 85005677 found in section 9 of this catalog. Please refer to Section 9 for other adaptations.

Pump / Motor Specifications

Data shown is for continuous duty. For intermittent peaking duty, 30 seconds at peak load, pressure as high as 150% is attainable, limited to 3000 PSI maximum.

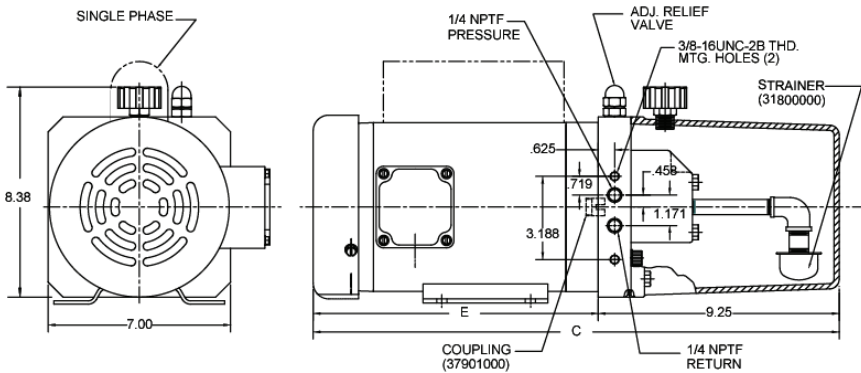
Note: 3 phase motors can run on 50/60 cycles but flow at 50 cycles will be reduced to 5/6 of noted flow since the motor will run at 5/6 of the RPM.

Motor	Pump	B1	B2	B4	B6	B8
		.00028 GPR	.00047 GPR	.0081 GPR	.00137 GPR	.00202 GPR
B154		.31 GPM	.70 GPM	1.33 GPM	2.32 GPM	3.46 GPM
1/2 H.P. 1725 RPM		1500 PSI	900 PSI	525 PSI	300 PSI	200 PSI
1 Phase TEFC		B1+B154	B2+B154	B4+B154	B6+B154	B8+B154
B354		.31 GPM	.70 GPM	1.33 GPM	2.32 GPM	3.46 GPM
1/2 H.P. 1725 RPM		1500 PSI	900 PSI	525 PSI	300 PSI	200 PSI
3 Phase TEFC		B1+B354	B2+B354	B4+B354	B6+B354	B8+B354
B174		.25 GPM	.65 GPM	1.28 GPM	2.28 GPM	3.44 GPM
3/4 H.P. 1725 RPM		2250 PSI	1350 PSI	775 PSI	450 PSI	300 PSI
1 Phase TEFC		B1+B174	B2+B174	B4+B174	B6+B174	B8+B174
B374		.25 GPM	.65 GPM	1.28 GPM	2.28 GPM	3.44 GPM
3/4 H.P. 1725 RPM		2250 PSI	1350 PSI	775 PSI	450 PSI	300 PSI
3 Phase TEFC		B1+B374	B2+B374	B4+B374	B6+B374	B8+B374
B1104		.25 GPM	.58 GPM	1.25 GPM	2.25 GPM	3.40 GPM
1 H.P. 1725 RPM		2250 PSI	1800 PSI	1050 PSI	625 PSI	425 PSI
1 Phase TEFC		B1+B1104	B2+B1104	B4+B1104	B6+B1104	B8+B1104
B3104		.25 GPM	.58 GPM	1.25 GPM	2.25 GPM	3.40 GPM
1 H.P. 1725 RPM		2250 PSI	1800 PSI	1050 PSI	625 PSI	425 PSI
3 Phase TEFC		B1+B3104	B2+B3104	B4+B3104	B6+B3104	B8+B3104
B1154				1.17 GPM	2.18 GPM	3.34 GPM
1-1/2 H.P. 1725 RPM				1550 PSI	925 PSI	625 PSI
1 Phase TEFC				B4+B1154	B6+B1154	B8+B1154
B3154				1.17 GPM	2.18 GPM	3.34 GPM
1-1/2 H.P. 1725 RPM				1550 PSI	925 PSI	625 PSI
3 Phase TEFC				B4+B3154	B6+B3154	B8+B3154
B3204					2.06 GPM	3.26 GPM
2 H.P. 1725 RPM					1225 PSI	850 PSI
3 Phase TEFC					B6+B3204	B8+B3204
B3304					1.90 GPM	3.12 GPM
3 H.P. 1725 RPM					1850 PSI	1250 PSI
3 Phase TEFC					B6+B3304	B8+B3304
Intermittent Duty						

B6+B174	Pump/Motor/1 Gal. Tank
To order Power unit with 1-1/2 gallon tank, specify as follows	
B6+B174-1-1/2 TK	Pump/Motor/1-1/2 Gal. Tank
To order Power unit with 2-1/2 gallon tank, specify as follows	
B6+B174-2-1/2 TK	Pump/Motor/2-1/2 Gal. Tank
To order Power unit with 5 gallon tank, (add letter T), as follows	
BT6+B174	Pump/Motor/5 Gal. Tank
To order Power unit with 5 gallon tank, (add letter X), as follows	
BX6+B174	Pump/Motor/10 Gal. Tank

WARNING: The specifications/application data shown in our catalogs and data sheets are intended only as a general guide for the product described (herein). Any specific application should not be undertaken without independent study, evaluation, and testing for suitability.

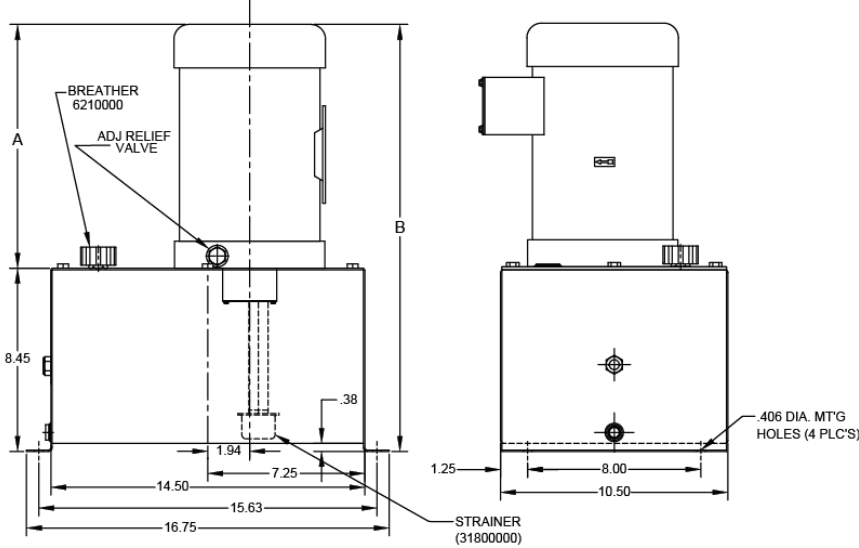
B Series Power Unit with 1 Gallon Tank



MOTOR	Dimension			
	A	B	C	E
B154	11.13	19.69	19.38	9.88
B354	10.50	19.06	18.75	9.25
B174	12.00	19.06	18.75	10.75
B374	10.50	19.06	18.75	9.25
B1104	12.13	20.69	20.38	10.88
B3104	11.13	19.56	19.25	9.88
B1154	13.01	21.06	20.75	11.76
B3154	11.00	19.56	19.25	9.75
B3204	12.13	20.69	20.38	10.88
B3304	13.00	21.44	21.13	11.75

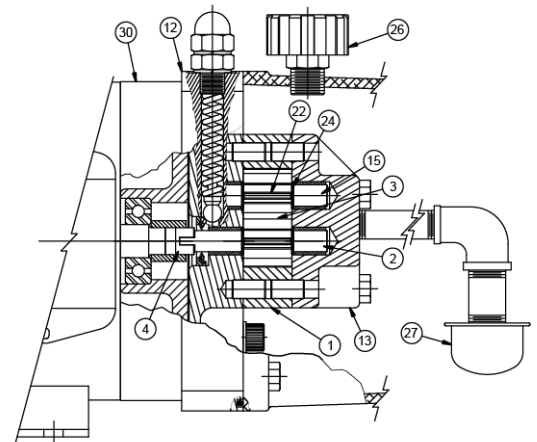
Note: Motor dimensions are approximate dependent on current availability

B Series Power Unit with 5 Gallon Tank



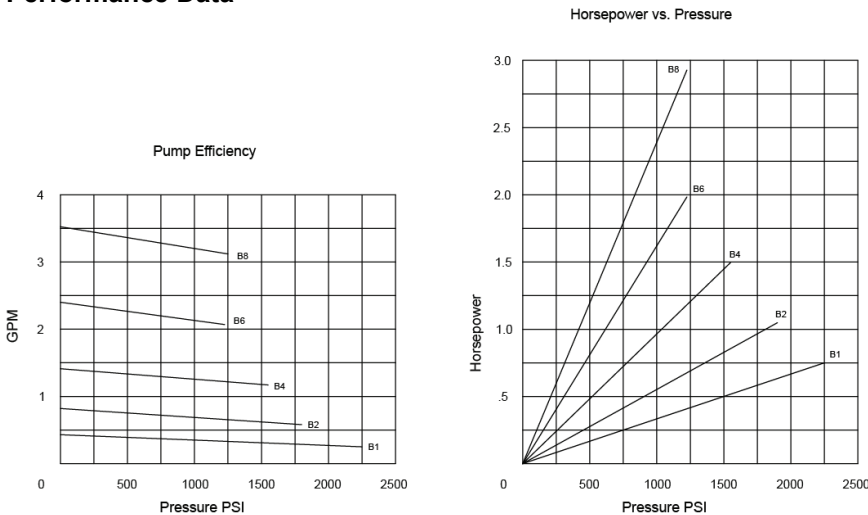
Ordering - Service Parts

ITEM #	DESCRIPTION	QTY.
1	GEAR CASE	1
2	DRIVE SHAFT	1
3	GEARS	2
4	COUPLING	1
5	RESERVOIR	1
12	DRIVE PLATE	1
13	END PLATE	1
15	IDLER SHAFT	1
17	INLET STRAINER	1
22	GEAR PIN	2
24	RETAINING RING	4
26	BREATHER	1
30	MOTOR	1



NOTE: WHEN ORDERING PARTS, PLEASE SPECIFY COMPLETE MODEL NUMBER

Performance Data



WARNING: The specifications/application data shown in our catalogs and data sheets are intended only as a general guide for the product described (herein). Any specific application should not be undertaken without independent study, evaluation, and testing for suitability.