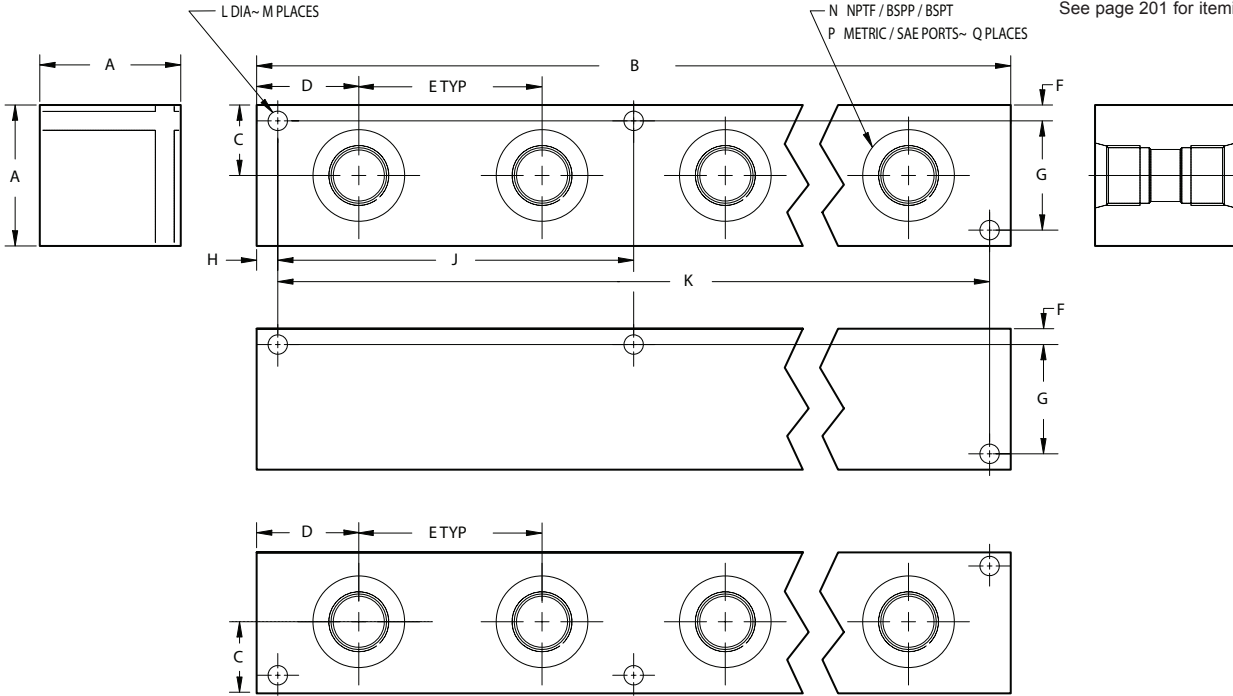


Junction Manifolds - 180° Design

Junction block mounting hardware is supplied, except for stainless. See page 201 for itemized list.



Specifications, descriptions, and dimensional data are subject to correction or change without notice or incurring obligation. Download latest catalog page revisions at www.daman.com.

Ordering Information

Material	Product Type	Side Port Layout	No. of Stations	Side Port Threads
----------	--------------	------------------	-----------------	-------------------

For **coating options** see pages 245-246.

Material	
A	Aluminum - 6061-T6 3000† psi • 20.7 MPa
D	Ductile Iron - D4512 5000† psi • 34.5 MPa
S*	Stainless Steel - 17-4 5000† psi • 34.5 MPa

† Working pressure should be considered in accordance with ISO 4413 to determine appropriate material type.

*All stainless steel products are passivated.

Side Port Layout	
180	Ports out two opposite sides

No. of Stations	
01 thru 10	Check chart on next page to verify station-port size combinations

Product Type	
J	Junction Block

Side Port Threads					
04B*	04P*	04T*	B = BSPP • ISO 1179, BS 2179 P = NPTF • ANSI B1.20.3 T = BSPT • ISO 7, BS 21	04M*	04S*
06B*	06P*	06T*		06M*	06S*
08B	08P	08T		08M	08S
12B*	12P*	12T*		12M*	12S*
16B*	16P*	16T*		16M*	16S*
20B*	20P*	20T*		20M*	20S*
24B	24P	24T		24M	24S

Check chart on next page to verify station-port size combinations

M = METRIC • ISO 6149
S = SAE • ISO 11926, SAE 1926

* Available in Stainless Steel
Note: Pipe ports in stainless can gall.

Junction Manifolds - 180° Design

PART NO.	A	B	C	D	E	F	G	H	J	K	L	M	N	P	Q
J1800104		2.13							--	1.50		4			2
J1800204		3.88							--	3.25		4			4
J1800304		5.63							--	5.00		4			6
J1800404		7.38							--	6.75		4			8
J1800504	1.75	9.13	0.88	1.06	1.75	0.25	1.25	0.31	5.13	8.50	0.28	6	1/4	-4	10
J1800604		10.88							5.13	10.25		6		or	12
J1800704		12.63							6.88	12.00		6		M10x1.0	14
J1800804		14.38							6.88	13.75		6			16
J1800904		16.13							8.63	15.50		6			18
J1801004		17.88							8.63	17.25		6			20
J1800106		3.00							--	2.38		4			2
J1800206		5.00							--	4.38		4			4
J1800306		7.00							--	6.38		4			6
J1800406		9.00							--	8.38		4			8
J1800506	1.75	11.00	0.88	1.50	2.00	0.25	1.25	0.31	6.19	10.38	0.28	6	3/8	-6	10
J1800606		13.00							6.19	12.38		6		or	12
J1800706		15.00							8.19	14.38		6		M14x1.5	14
J1800806		17.00							8.19	16.38		6			16
J1800906		19.00							10.19	18.38		6			18
J1801006		21.00							10.19	20.38		6			20
J1800108		3.00							--	2.38		4			2
J1800208		5.38							--	4.75		4			4
J1800308		7.75							--	7.13		4			6
J1800408		10.13							--	9.50		4			8
J1800508	2.00	12.50	1.00	1.50	2.38	0.25	1.50	0.31	7.13	11.88	0.28	6	1/2	-8	10
J1800608		14.88							7.13	14.25		6		or	12
J1800708		17.25							9.50	16.63		6		M18x1.5	14
J1800808		19.63							9.50	19.00		6			16
J1800908		22.00							11.88	21.38		6			18
J1801008		24.38							11.88	23.75		6			20
J1800112		3.63							--	2.88		4			2
J1800212		6.88							--	6.13		4			4
J1800312		10.13							--	9.38		4			6
J1800412		13.38							--	12.63		4			8
J1800512	2.50	16.63	1.25	1.81	3.25	0.28	1.94	0.38	9.56	15.88	0.34	6	3/4	-12	10
J1800612		19.88							9.56	19.13		6		or	12
J1800712		23.13							12.81	22.38		6		M27x2.0	14
J1800812		26.38							12.81	25.63		6			16
J1800912		29.63							16.06	28.88		6			18
J1801012		32.88							16.06	32.13		6			20
J1800116		4.00							--	3.25		4			2
J1800216		7.75							--	7.00		4			4
J1800316		11.50							--	10.75		4			6
J1800416		15.25							--	14.50		4			8
J1800516	3.00	19.00	1.50	2.00	3.75	0.34	2.31	0.38	11.00	18.25	P,S ports = 0.41	6	1"	-16	10
J1800616		22.75							11.00	22.00	B,M,T ports = 0.42	6		or	12
J1800716		26.50							14.75	25.75		6		M33x2.0	14
J1800816		30.25							14.75	29.50		6			16
J1800916		34.00							18.50	33.25		6			18
J1801016		37.75							18.50	37.00		6			20
J1800120		4.50							--	3.50		4			2
J1800220		8.50							--	7.50		4			4
J1800320		12.50							--	11.50		4			6
J1800420		16.50							--	15.50		4			8
J1800520	3.50	20.50	1.75	2.25	4.00	0.41	2.69	0.50	11.75	19.50	0.53	6	1-1/4	-20	10
J1800620		24.50							11.75	23.50		6		or	12
J1800720		28.50							15.75	27.50		6		M42x2.0	14
J1800820		32.50							15.75	31.50		6			16
J1800920		36.50							19.75	35.50		6			18
J1801020		40.50							19.75	39.50		6			20

Chart continued on next page

Custom Products
 Standard Manifolds
 Cover Plates
 Valve Adaptors
 Subplates
 Servo Valve Subplates
 Tapping Plates
 Cartridge Valve Cavity Bodies
 Header and Junction Blocks
 Technical Information



Junction Manifolds - 180° Design (cont)

PART NO.	A	B	C	D	E	F	G	H	J	K	L	M	N	P	Q
J1800124		5.00							--	4.00		4			2
J1800224		10.00							--	9.00		4			4
J1800324		15.00							--	14.00		4			6
J1800424		20.00							9.50	19.00		4			8
J1800524	4.00	25.00	2.00	2.50	5.00	0.41	3.19	0.50	14.50	24.00	0.53	6	1-1/2	-24	10
J1800624		30.00							14.50	29.00		6		or	12
J1800724		35.00							19.50	34.00		6		M48x2.0	14
J1800824		40.00							19.50	39.00		6			16
J1800924		45.00							24.50	44.00		6			18
J1801024		50.00							24.50	49.00		6			20