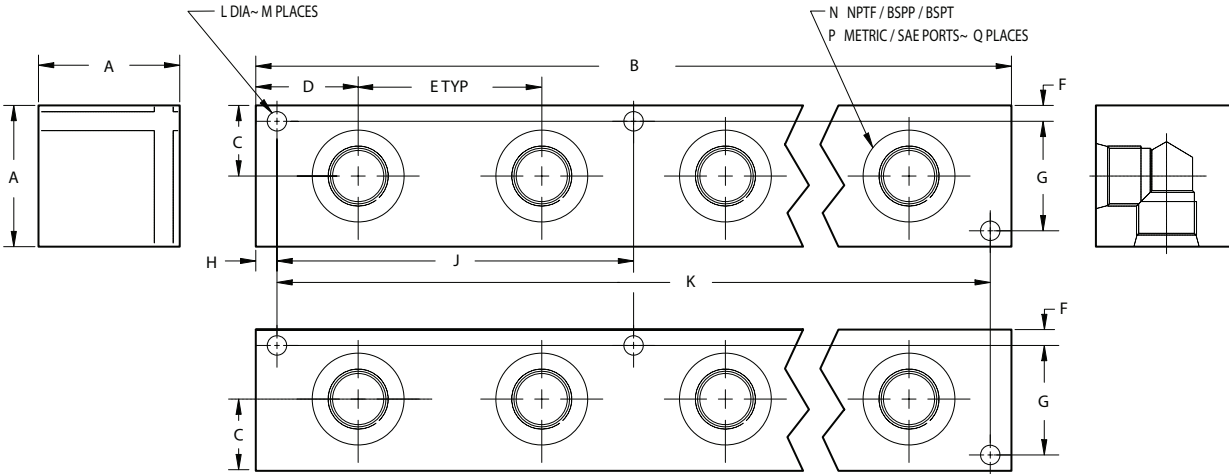


Junction Manifolds - 90° Design

Junction block mounting hardware is supplied, except for stainless. See page 201 for itemized list.



Specifications, descriptions, and dimensional data are subject to correction or change without notice or incurring obligation. Download latest catalog page revisions at www.daman.com.

Ordering Information

| Material | Product Type | Side Port Layout | No. of Stations | Side Port Threads | | | | | | | | | | | | | | | | | | | | | | | | | | | | | | | | | | | | | | | | | | | | | | | | | | | | | | | | | | | | | | | | | | | | | | | | | | | | |
|---|---|------------------|--|--|-------------|--|-----------|--|---|--|---|--|---|--------------|--|----------|----------------|---|------------------|--|------------|------------------------------|---|-----------------|--|--------------------------------|---|--|-------------------|--|--|--|--|--|-------------|-------------|-------------|--|-------------|-------------|-------------|-------------|-------------|-------------|-------------|------------|------------|------------|------------|------------|-------------|-------------|-------------|-------------|-------------|-------------|-------------|-------------|-------------|-------------|-------------|-------------|-------------|-------------|-------------|------------|------------|------------|------------|------------|---|--|--|--|--|--|--|--|--|--|
| <table border="1"> <thead> <tr> <th colspan="2">Material</th> </tr> </thead> <tbody> <tr> <td>A</td> <td>Aluminum - 6061-T6 3000† psi • 20.7 MPa</td> </tr> <tr> <td>D</td> <td>Ductile Iron - D4512 5000† psi • 34.5 MPa</td> </tr> <tr> <td>S*</td> <td>Stainless Steel - 17-4 5000† psi • 34.5 MPa</td> </tr> <tr> <td colspan="2">† Working pressure should be considered in accordance with ISO 4413 to determine appropriate material type.</td> </tr> <tr> <td colspan="2">*All stainless steel products are passivated.</td> </tr> </tbody> </table> | Material | | A | Aluminum - 6061-T6 3000† psi • 20.7 MPa | D | Ductile Iron - D4512 5000† psi • 34.5 MPa | S* | Stainless Steel - 17-4 5000† psi • 34.5 MPa | † Working pressure should be considered in accordance with ISO 4413 to determine appropriate material type. | | *All stainless steel products are passivated. | | <table border="1"> <thead> <tr> <th colspan="2">Product Type</th> </tr> </thead> <tbody> <tr> <td>J</td> <td>Junction Block</td> </tr> </tbody> </table> | Product Type | | J | Junction Block | <table border="1"> <thead> <tr> <th colspan="2">Side Port Layout</th> </tr> </thead> <tbody> <tr> <td>090</td> <td>Ports out two adjacent sides</td> </tr> </tbody> </table> | Side Port Layout | | 090 | Ports out two adjacent sides | <table border="1"> <thead> <tr> <th colspan="2">No. of Stations</th> </tr> </thead> <tbody> <tr> <td>01 thru 10</td> <td>Check chart on next page to verify station-port size combinations</td> </tr> </tbody> </table> | No. of Stations | | 01 thru 10 | Check chart on next page to verify station-port size combinations | <table border="1"> <thead> <tr> <th colspan="6">Side Port Threads</th> </tr> </thead> <tbody> <tr> <td>04B*</td> <td>04P*</td> <td>04T*</td> <td rowspan="10"> B = BSPP • ISO 1179, BS 2779 P = NPTF • ANSI B1.20.3 T = BSPT • ISO 7, BS 21 </td> <td>04M*</td> <td>04S*</td> </tr> <tr> <td>06B*</td> <td>06P*</td> <td>06T*</td> <td>06M*</td> <td>06S*</td> </tr> <tr> <td>08B</td> <td>08P</td> <td>08T</td> <td>08M</td> <td>08S</td> </tr> <tr> <td>12B*</td> <td>12P*</td> <td>12T*</td> <td>12M*</td> <td>12S*</td> </tr> <tr> <td>16B*</td> <td>16P*</td> <td>16T*</td> <td>16M*</td> <td>16S*</td> </tr> <tr> <td>20B*</td> <td>20P*</td> <td>20T*</td> <td>20M*</td> <td>20S*</td> </tr> <tr> <td>24B</td> <td>24P</td> <td>24T</td> <td>24M</td> <td>24S</td> </tr> <tr> <td colspan="5">Check chart on next page to verify station-port size combinations</td> </tr> <tr> <td colspan="5">M = METRIC • ISO 6149 S = SAE • ISO 11926, SAE 1926</td> </tr> </tbody> </table> | Side Port Threads | | | | | | 04B* | 04P* | 04T* | B = BSPP • ISO 1179, BS 2779 P = NPTF • ANSI B1.20.3 T = BSPT • ISO 7, BS 21 | 04M* | 04S* | 06B* | 06P* | 06T* | 06M* | 06S* | 08B | 08P | 08T | 08M | 08S | 12B* | 12P* | 12T* | 12M* | 12S* | 16B* | 16P* | 16T* | 16M* | 16S* | 20B* | 20P* | 20T* | 20M* | 20S* | 24B | 24P | 24T | 24M | 24S | Check chart on next page to verify station-port size combinations | | | | | M = METRIC • ISO 6149 S = SAE • ISO 11926, SAE 1926 | | | | |
| Material | | | | | | | | | | | | | | | | | | | | | | | | | | | | | | | | | | | | | | | | | | | | | | | | | | | | | | | | | | | | | | | | | | | | | | | | | | | | | | | | |
| A | Aluminum - 6061-T6 3000† psi • 20.7 MPa | | | | | | | | | | | | | | | | | | | | | | | | | | | | | | | | | | | | | | | | | | | | | | | | | | | | | | | | | | | | | | | | | | | | | | | | | | | | | | | |
| D | Ductile Iron - D4512 5000† psi • 34.5 MPa | | | | | | | | | | | | | | | | | | | | | | | | | | | | | | | | | | | | | | | | | | | | | | | | | | | | | | | | | | | | | | | | | | | | | | | | | | | | | | | |
| S* | Stainless Steel - 17-4 5000† psi • 34.5 MPa | | | | | | | | | | | | | | | | | | | | | | | | | | | | | | | | | | | | | | | | | | | | | | | | | | | | | | | | | | | | | | | | | | | | | | | | | | | | | | | |
| † Working pressure should be considered in accordance with ISO 4413 to determine appropriate material type. | | | | | | | | | | | | | | | | | | | | | | | | | | | | | | | | | | | | | | | | | | | | | | | | | | | | | | | | | | | | | | | | | | | | | | | | | | | | | | | | |
| *All stainless steel products are passivated. | | | | | | | | | | | | | | | | | | | | | | | | | | | | | | | | | | | | | | | | | | | | | | | | | | | | | | | | | | | | | | | | | | | | | | | | | | | | | | | | |
| Product Type | | | | | | | | | | | | | | | | | | | | | | | | | | | | | | | | | | | | | | | | | | | | | | | | | | | | | | | | | | | | | | | | | | | | | | | | | | | | | | | | |
| J | Junction Block | | | | | | | | | | | | | | | | | | | | | | | | | | | | | | | | | | | | | | | | | | | | | | | | | | | | | | | | | | | | | | | | | | | | | | | | | | | | | | | |
| Side Port Layout | | | | | | | | | | | | | | | | | | | | | | | | | | | | | | | | | | | | | | | | | | | | | | | | | | | | | | | | | | | | | | | | | | | | | | | | | | | | | | | | |
| 090 | Ports out two adjacent sides | | | | | | | | | | | | | | | | | | | | | | | | | | | | | | | | | | | | | | | | | | | | | | | | | | | | | | | | | | | | | | | | | | | | | | | | | | | | | | | |
| No. of Stations | | | | | | | | | | | | | | | | | | | | | | | | | | | | | | | | | | | | | | | | | | | | | | | | | | | | | | | | | | | | | | | | | | | | | | | | | | | | | | | | |
| 01 thru 10 | Check chart on next page to verify station-port size combinations | | | | | | | | | | | | | | | | | | | | | | | | | | | | | | | | | | | | | | | | | | | | | | | | | | | | | | | | | | | | | | | | | | | | | | | | | | | | | | | |
| Side Port Threads | | | | | | | | | | | | | | | | | | | | | | | | | | | | | | | | | | | | | | | | | | | | | | | | | | | | | | | | | | | | | | | | | | | | | | | | | | | | | | | | |
| 04B* | 04P* | 04T* | B = BSPP • ISO 1179, BS 2779 P = NPTF • ANSI B1.20.3 T = BSPT • ISO 7, BS 21 | 04M* | 04S* | | | | | | | | | | | | | | | | | | | | | | | | | | | | | | | | | | | | | | | | | | | | | | | | | | | | | | | | | | | | | | | | | | | | | | | | | | | |
| 06B* | 06P* | 06T* | | 06M* | 06S* | | | | | | | | | | | | | | | | | | | | | | | | | | | | | | | | | | | | | | | | | | | | | | | | | | | | | | | | | | | | | | | | | | | | | | | | | | | |
| 08B | 08P | 08T | | 08M | 08S | | | | | | | | | | | | | | | | | | | | | | | | | | | | | | | | | | | | | | | | | | | | | | | | | | | | | | | | | | | | | | | | | | | | | | | | | | | |
| 12B* | 12P* | 12T* | | 12M* | 12S* | | | | | | | | | | | | | | | | | | | | | | | | | | | | | | | | | | | | | | | | | | | | | | | | | | | | | | | | | | | | | | | | | | | | | | | | | | | |
| 16B* | 16P* | 16T* | | 16M* | 16S* | | | | | | | | | | | | | | | | | | | | | | | | | | | | | | | | | | | | | | | | | | | | | | | | | | | | | | | | | | | | | | | | | | | | | | | | | | | |
| 20B* | 20P* | 20T* | | 20M* | 20S* | | | | | | | | | | | | | | | | | | | | | | | | | | | | | | | | | | | | | | | | | | | | | | | | | | | | | | | | | | | | | | | | | | | | | | | | | | | |
| 24B | 24P | 24T | | 24M | 24S | | | | | | | | | | | | | | | | | | | | | | | | | | | | | | | | | | | | | | | | | | | | | | | | | | | | | | | | | | | | | | | | | | | | | | | | | | | |
| Check chart on next page to verify station-port size combinations | | | | | | | | | | | | | | | | | | | | | | | | | | | | | | | | | | | | | | | | | | | | | | | | | | | | | | | | | | | | | | | | | | | | | | | | | | | | | | | | |
| M = METRIC • ISO 6149 S = SAE • ISO 11926, SAE 1926 | | | | | | | | | | | | | | | | | | | | | | | | | | | | | | | | | | | | | | | | | | | | | | | | | | | | | | | | | | | | | | | | | | | | | | | | | | | | | | | | |

For **coating options** see pages 245-246.

* Available in Stainless Steel
Note: Pipe ports in stainless can gall.

Junction Manifolds - 90° Design

| PART NO. | A | B | C | D | E | F | G | H | J | K | L | M | N | P | Q |
|------------|------|-------|------|------|------|------|------|------|-------|-------|----------------------|---|-------|---------|----|
| *J0900104* | | 2.13 | | | | | | | -- | 1.50 | | 4 | | | 2 |
| *J0900204* | | 3.88 | | | | | | | -- | 3.25 | | 4 | | | 4 |
| *J0900304* | | 5.63 | | | | | | | -- | 5.00 | | 4 | | | 6 |
| *J0900404* | | 7.38 | | | | | | | -- | 6.75 | | 4 | | | 8 |
| *J0900504* | 1.75 | 9.13 | 0.88 | 1.06 | 1.75 | 0.25 | 1.25 | 0.31 | 5.13 | 8.50 | 0.28 | 6 | 1/4 | -4 | 10 |
| *J0900604* | | 10.88 | | | | | | | 5.13 | 10.25 | | 6 | | or | 12 |
| *J0900704* | | 12.63 | | | | | | | 6.88 | 12.00 | | 6 | | M10x1.0 | 14 |
| *J0900804* | | 14.38 | | | | | | | 6.88 | 13.75 | | 6 | | | 16 |
| *J0900904* | | 16.13 | | | | | | | 8.63 | 15.50 | | 6 | | | 18 |
| *J0901004* | | 17.88 | | | | | | | 8.63 | 17.25 | | 6 | | | 20 |
| *J0900106* | | 3.00 | | | | | | | -- | 2.38 | | 4 | | | 2 |
| *J0900206* | | 5.00 | | | | | | | -- | 4.38 | | 4 | | | 4 |
| *J0900306* | | 7.00 | | | | | | | -- | 6.38 | | 4 | | | 6 |
| *J0900406* | | 9.00 | | | | | | | -- | 8.38 | | 4 | | | 8 |
| *J0900506* | 1.75 | 11.00 | 0.88 | 1.50 | 2.00 | 0.25 | 1.25 | 0.31 | 6.19 | 10.38 | 0.28 | 6 | 3/8 | -6 | 10 |
| *J0900606* | | 13.00 | | | | | | | 6.19 | 12.38 | | 6 | | or | 12 |
| *J0900706* | | 15.00 | | | | | | | 8.19 | 14.38 | | 6 | | M14x1.5 | 14 |
| *J0900806* | | 17.00 | | | | | | | 8.19 | 16.38 | | 6 | | | 16 |
| *J0900906* | | 19.00 | | | | | | | 10.19 | 18.38 | | 6 | | | 18 |
| *J0901006* | | 21.00 | | | | | | | 10.19 | 20.38 | | 6 | | | 20 |
| *J0900108* | | 3.00 | | | | | | | -- | 2.38 | | 4 | | | 2 |
| *J0900208* | | 5.38 | | | | | | | -- | 4.75 | | 4 | | | 4 |
| *J0900308* | | 7.75 | | | | | | | -- | 7.13 | | 4 | | | 6 |
| *J0900408* | | 10.13 | | | | | | | -- | 9.50 | | 4 | | | 8 |
| *J0900508* | 2.00 | 12.50 | 1.00 | 1.50 | 2.38 | 0.25 | 1.50 | 0.31 | 7.13 | 11.88 | 0.28 | 6 | 1/2 | -8 | 10 |
| *J0900608* | | 14.88 | | | | | | | 7.13 | 14.25 | | 6 | | or | 12 |
| *J0900708* | | 17.25 | | | | | | | 9.50 | 16.63 | | 6 | | M18x1.5 | 14 |
| *J0900808* | | 19.63 | | | | | | | 9.50 | 19.00 | | 6 | | | 16 |
| *J0900908* | | 22.00 | | | | | | | 11.88 | 21.38 | | 6 | | | 18 |
| *J0901008* | | 24.38 | | | | | | | 11.88 | 23.75 | | 6 | | | 20 |
| *J0900112* | | 3.63 | | | | | | | -- | 2.88 | | 4 | | | 2 |
| *J0900212* | | 6.88 | | | | | | | -- | 6.13 | | 4 | | | 4 |
| *J0900312* | | 10.13 | | | | | | | -- | 9.38 | | 4 | | | 6 |
| *J0900412* | | 13.38 | | | | | | | -- | 12.63 | | 4 | | | 8 |
| *J0900512* | 2.50 | 16.63 | 1.25 | 1.81 | 3.25 | 0.28 | 1.94 | 0.38 | 9.56 | 15.88 | 0.34 | 6 | 3/4 | -12 | 10 |
| *J0900612* | | 19.88 | | | | | | | 9.56 | 19.13 | | 6 | | or | 12 |
| *J0900712* | | 23.13 | | | | | | | 12.81 | 22.38 | | 6 | | M27x2.0 | 14 |
| *J0900812* | | 26.38 | | | | | | | 12.81 | 25.63 | | 6 | | | 16 |
| *J0900912* | | 29.63 | | | | | | | 16.06 | 28.88 | | 6 | | | 18 |
| *J0901012* | | 32.88 | | | | | | | 16.06 | 32.13 | | 6 | | | 20 |
| *J0900116* | | 4.00 | | | | | | | -- | 3.25 | | 4 | | | 2 |
| *J0900216* | | 7.75 | | | | | | | -- | 7.00 | | 4 | | | 4 |
| *J0900316* | | 11.50 | | | | | | | -- | 10.75 | | 4 | | | 6 |
| *J0900416* | | 15.25 | | | | | | | -- | 14.50 | | 4 | | | 8 |
| *J0900516* | 3.00 | 19.00 | 1.50 | 2.00 | 3.75 | 0.34 | 2.31 | 0.38 | 11.00 | 18.25 | B.M., T ports = 0.41 | 6 | 1" | -16 | 10 |
| *J0900616* | | 22.75 | | | | | | | 11.00 | 22.00 | P.S ports = 0.42 | 6 | | or | 12 |
| *J0900716* | | 26.50 | | | | | | | 14.75 | 25.75 | | 6 | | M33x2.0 | 14 |
| *J0900816* | | 30.25 | | | | | | | 14.75 | 29.50 | | 6 | | | 16 |
| *J0900916* | | 34.00 | | | | | | | 18.50 | 33.25 | | 6 | | | 18 |
| *J0901016* | | 37.75 | | | | | | | 18.50 | 37.00 | | 6 | | | 20 |
| *J0900120* | | 4.50 | | | | | | | -- | 3.50 | | 4 | | | 2 |
| *J0900220* | | 8.50 | | | | | | | -- | 7.50 | | 4 | | | 4 |
| *J0900320* | | 12.50 | | | | | | | -- | 11.50 | | 4 | | | 6 |
| *J0900420* | | 16.50 | | | | | | | -- | 15.50 | | 4 | | | 8 |
| *J0900520* | 3.50 | 20.50 | 1.75 | 2.25 | 4.00 | 0.41 | 2.69 | 0.50 | 11.75 | 19.50 | 0.53 | 6 | 1-1/4 | -20 | 10 |
| *J0900620* | | 24.50 | | | | | | | 11.75 | 23.50 | | 6 | | or | 12 |
| *J0900720* | | 28.50 | | | | | | | 15.75 | 27.50 | | 6 | | M42x2.0 | 14 |
| *J0900820* | | 32.50 | | | | | | | 15.75 | 31.50 | | 6 | | | 16 |
| *J0900920* | | 36.50 | | | | | | | 19.75 | 35.50 | | 6 | | | 18 |
| *J0901020* | | 40.50 | | | | | | | 19.75 | 39.50 | | 6 | | | 20 |

Chart continued on next page

Custom Products
 Standard Manifolds
 Cover Plates
 Valve Adaptors
 Subplates
 Servo Valve Subplates
 Tapping Plates
 Cartridge Valve Cavity Bodies
 Header and Junction Blocks
 Technical Information



Junction Manifolds - 90° Design (cont)

| PART NO. | A | B | C | D | E | F | G | H | J | K | L | M | N | P | Q |
|------------|------|-------|------|------|------|------|------|------|-------|-------|------|---|-------|----------------------|----|
| *J0900124* | | 5.00 | | | | | | | -- | 4.00 | | 4 | | | 2 |
| *J0900224* | | 10.00 | | | | | | | -- | 9.00 | | 4 | | | 4 |
| *J0900324* | | 15.00 | | | | | | | -- | 14.00 | | 4 | | | 6 |
| *J0900424* | | 20.00 | | | | | | | 9.50 | 19.00 | | 4 | | | 8 |
| *J0900524* | 4.00 | 25.00 | 2.00 | 2.50 | 5.00 | 0.41 | 3.19 | 0.50 | 14.50 | 24.00 | 0.53 | 6 | 1-1/2 | -24 or M48x2.0 | 10 |
| *J0900624* | | 30.00 | | | | | | | 14.50 | 29.00 | | 6 | | | 12 |
| *J0900724* | | 35.00 | | | | | | | 19.50 | 34.00 | | 6 | | | 14 |
| *J0900824* | | 40.00 | | | | | | | 19.50 | 39.00 | | 6 | | | 16 |
| *J0900924* | | 45.00 | | | | | | | 24.50 | 44.00 | | 6 | | | 18 |
| *J0901024* | | 50.00 | | | | | | | 24.50 | 49.00 | | 6 | | | 20 |