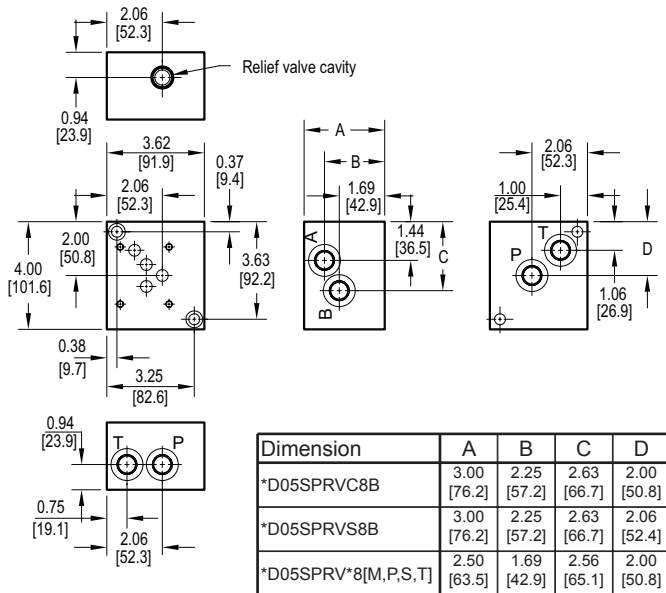


D05 Subplates with Relief Cavity

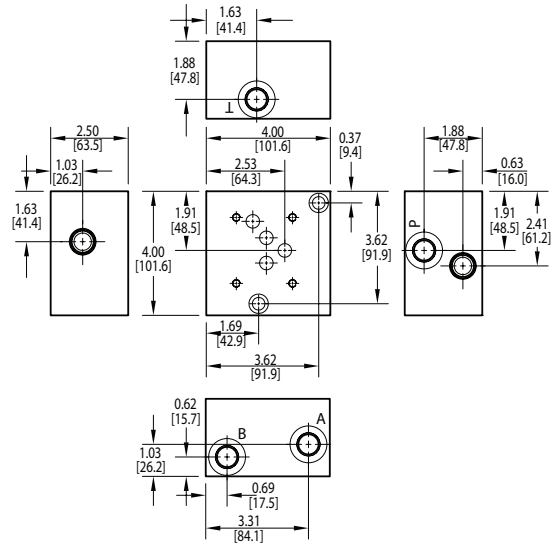
Dual Ported Subplate with Main Relief Cavity

Valve mtg: UNC 0.25-20 x 0.75 DP or
Metric M6-1.0mm ISO 6H x [19.1] DP
Subplate hardware kit is supplied.
See page 134 for itemized list.



Side Ported Subplate with Cylinder Port Crossover Relief Cavities

Valve mtg: UNC 0.25-20 x 0.75 DP or
Metric M6-1.0mm ISO 6H x [19.1] DP
Subplate hardware kit is supplied.
See page 135 for itemized list.



Specifications, descriptions, and dimensional data are subject to correction or change without notice or incurring obligation. Download latest catalog page revisions at www.daman.com.

Ordering Information

For coating options
see pages 245-246.

Material	Valve Pattern	Product Type	Circuit	Relief Cavity	Port Threads
----------	---------------	--------------	---------	---------------	--------------

Material	
A	Aluminum - 6061-T6 3000† psi • 20.7 MPa
D	Ductile Iron - D4512 5000† psi • 34.5 MPa

† Working pressure should be considered in accordance with ISO 4413 to determine appropriate material type.

Product Type	
SP	Subplate

Relief Cavity	
C	Common cavity: C-10-2 (P in nose) For valves w/1" hex max.
S	Sun Cavity: T-10A (P in nose) See Tech Info for valves.

Port Threads	
8P	0.50-14 NPTF ANSI B1.20.3
8S	-8 SAE ISO 11926; SAE 1926
8B	0.50-14 BSPP ISO 1179; BS 2779
8M	M18 x 1.5 ISO 6149
8T	0.50-14 BSPT ISO 7; BS 21

Valve Pattern	
D05	ISO 4401-05-04 NFPA T3.5.1-D05 See Tech Information

Circuit	
RV	Main Relief P to T
CR	Crossover Reliefs A to B and B to A