

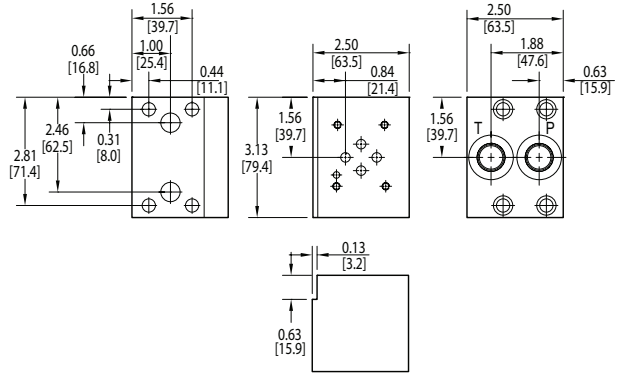
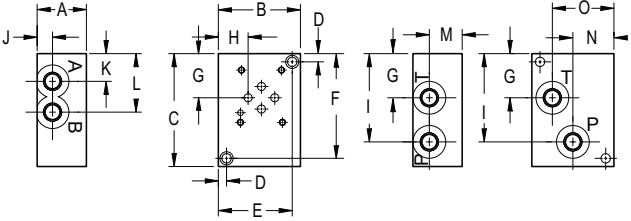
D03 Subplates

Dual Ported Subplate

Valve mtg: UNC #10-24 x 0.50 DP or
Metric M5-0.8mm ISO 6H x [12.7] DP
Subplate hardware kit is supplied.
See page 134 for itemized list.

Motor Mounted Subplate

Available with NPTF or SAE ports only.
Valve mtg: UNC #10-24 x 0.63 DP
Subplate hardware kit is supplied.
See page 134 for itemized list.



Dimension	A	B	C	D	E	F	G	H
D03SPSB6	1.50 [38.1]	2.50 [63.5]	3.44 [87.4]	0.25 [6.4]	2.25 [57.2]	3.19 [81.0]	1.34 [34.0]	0.91 [23.1]
D03SPSB8	2.00 [50.8]	2.75 [69.9]	3.75 [95.3]	0.25 [6.4]	2.50 [63.5]	3.50 [88.9]	1.34 [34.0]	0.91 [23.1]

Dimension	I	J	K	L	M	N	O
*D03SPSB6B	2.69 [68.3]	0.50 [12.7]	0.72 [18.3]	1.78 [45.2]	1.00 [25.4]	1.25 [31.8]	1.88 [47.8]
*D03SPSB6[M,P,S,T]	2.69 [68.3]	0.47 [11.9]	0.84 [21.4]	1.78 [45.2]	1.00 [25.4]	1.25 [31.8]	1.88 [47.8]
*D03SPSB8B	3.00 [76.2]	0.88 [22.2]	0.69 [17.5]	1.97 [50.0]	1.38 [34.9]	1.44 [36.5]	1.94 [49.2]
*D03SPSB8[M,P,S,T]	3.00 [76.2]	0.88 [22.2]	0.69 [17.5]	1.94 [49.2]	1.38 [34.9]	1.44 [36.5]	1.94 [49.2]

Specifications, descriptions, and dimensional data are subject to correction or change without notice or incurring obligation. Download latest catalog page revisions at www.daman.com.

Ordering Information

Material	Valve Pattern	Product Type	Port Location	Port Threads
----------	---------------	--------------	---------------	--------------

For **coating options**
see pages 245-246.

Material	
A	Aluminum - 6061-T6 3000 [†] psi • 20.7 MPa
D	Ductile Iron - D4512 5000 [†] psi • 34.5 MPa

[†] Working pressure should be considered in accordance with ISO 4413 to determine appropriate material type.

Product Type	
SP	Subplate

Port Location	
SB	Side P,A,B,T ports Back P & T ports
M	Motor mounting 8P or 8S ports only

Valve Pattern	
D03	ISO 4401-03-02 NFPA T3.5.1-D03 See Tech Information

Port Threads			
Port location SB only		Port location SB or M	
6P	0.38-18 NPTF ANSI B1.20.3	8P	0.50-14 NPTF ANSI B1.20.3
6S	-6 SAE ISO 11926; SAE 1926	8S	-8 SAE ISO 11926; SAE 1926
6B	0.38-19 BSPP ISO 1179; BS 2779	Port location SB only	
6M	M14 x 1.5 ISO 6149	8B	0.50-14 BSPP ISO 1179; BS 2779
6T	0.38-19 BSPT ISO 7; BS 21	8M	M18 x 1.5 ISO 6149
		8T	0.50-14 BSPT ISO 7; BS 21