

MIZERS

Pre-Engineered Circuit, Option MODEL AHZ2

Load Holding Solenoid Operated, RV w/Adj. Press. Comp. Flow Control, RV w/Fixed Press. Comp. Flow Control, Unloading w/flow control, Lift Circuit w/RV, RV w/Flow Control, Unloading w/ Fixed Press. Comp. Flow Control Speed Control

PRE-ENGINEERED CIRCUIT, OPTION MODEL BHZ4

Lift, Check, & Dump. Startup Circuit, Lift, Check & Dump w/RV

PRE-ENGINEERED CIRCUIT, OPTION MODEL CHZ6

Dual RV, Dump, Flow Divider, Motor Speed Control, Selector, Hydrostatic (Anti-Cav)

PRE-ENGINEERED CIRCUIT, OPTION MODEL DHZ8

NC Poppet Valve, Single RV, Needle Flow Control, Flow Control w/Free Flow Check, NO Spool valve, Crossover RV

PRE-ENGINEERED CIRCUIT, OPTION MODEL EHZ10

Adj. Flow Control NC Poppet Dual Speed Circuit, Adj. Press. Comp. Flow Control NC Poppet Dual Speed Circuit, Press. Comp. Flow Control & Check Valve, Adj. Press. Comp. Flow Control NO Poppet Dual Speed Circuit, Adj. Flow Control NO Poppet Dual Speed Circuit, Press. Comp Flow Control and Check, Adj. Flow Control NC Spool Valve Dual Speed Circuit

PRE-ENGINEERED CIRCUIT, OPTION MODEL FHZ12

Dual Sequence Valve Manifold

PRE-ENGINEERED CIRCUIT, OPTION MODEL GHZ14

Rectifier Circuit

PRE-ENGINEERED CIRCUIT, OPTION MODEL HHZ16

4w3p Open Center, 4w3p Closed Center

PRE-ENGINEERED CIRCUIT, OPTION MODEL IHZ18

3way valve, Manual Lift Check & Dump, NC Poppet Valve and RV, Lift Check & Dump, Pump Check & RV, Needle Flow Control & Check, NO Poppet & Check, NO Poppet & RV

PRE-ENGINEERED CIRCUIT, OPTION MODEL JHZ20

4w3p Tandem Center

PRE-ENGINEERED CIRCUIT, OPTION MODEL KHZ21

2 NC Poppet Valves, NO Poppet Valve & Needle Valve, 2 NC Poppet Valves, NC Poppet Valve & Adj.Press. Comp Flow Control

PRE-ENGINEERED CIRCUIT, OPTION MODEL LHZ22

Dual Counterbalance Circuit

PRE-ENGINEERED CIRCUIT, OPTION MODEL MHZ24

Single 4:1 PO Check Circuit

PRE-ENGINEERED CIRCUIT, OPTION MODEL N (BANJO BOLT)HZ26

Velocity Fuse, NC Poppet Valve, Adj. Press, Comp. Flow Control, Needle Valve, NO Spool Valve

PRE-ENGINEERED CIRCUIT, OPTION MODEL OHZ28

Single Counterbalance Circuit

PRE-ENGINEERED CIRCUIT, OPTION MODEL PHZ30

Lift Circuit w/Needle Valve & RV, Lift Circuit w/Press. Comp Flow Control & RV, Lift Circuit w/Bypass & Needle Valve, Lift Circuit w/Bypass & Press. Comp Flow Control

PRE-ENGINEERED CIRCUIT, OPTION MODEL QHZ32

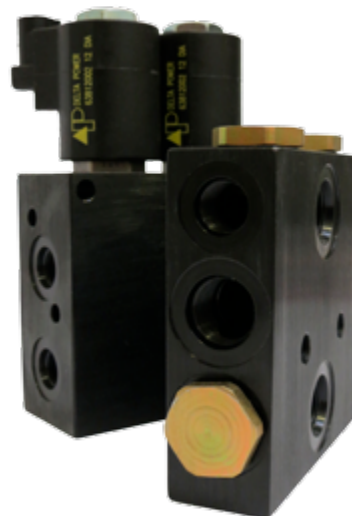
Dual 3 way Valves

PRE-ENGINEERED CIRCUIT, OPTION MODEL RHZ34

Single RV Circuit

PRE-ENGINEERED CIRCUIT, OPTION MODEL SHZ36

Crossover Relief, Mower Breakaway, Unloading & RV



W 7 / 2017

WARNING: the specifications/application data shown in our catalogs and data sheets are intended only as a general guide for the product described (herein). Any specific application should not be undertaken without independent study, evaluation, and testing for suitability.



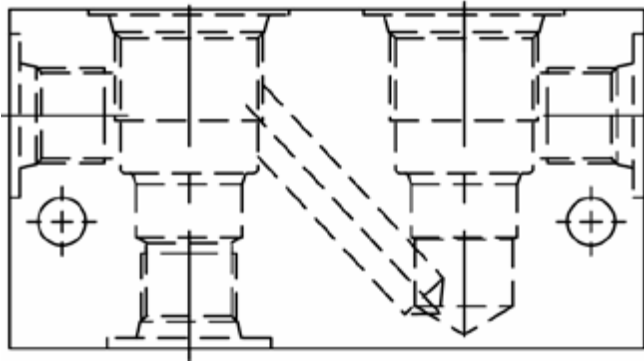
4484 Boeing Drive Rockford, IL 61109 • USA • Phone +1 (815) 397-6628 • Fax +1 (815) 397-2526
 mail: delta@delta-power.com • www.delta-power.com



Via Malavolti, 36 • 41122 Modena • ITALY • Phone +39 (059) 254895 • Fax +39 (059) 253512
 mail: tecnord@tecnord.com • www.tecnord.com

PRE-ENGINEERED CIRCUIT, OPTION MODEL A*

BASE BODY - 20200001 = #6 SAE



BODY WEIGHT: .83 lbs (.37 kg)

DESCRIPTION

Pre-engineered circuit, option model A*.

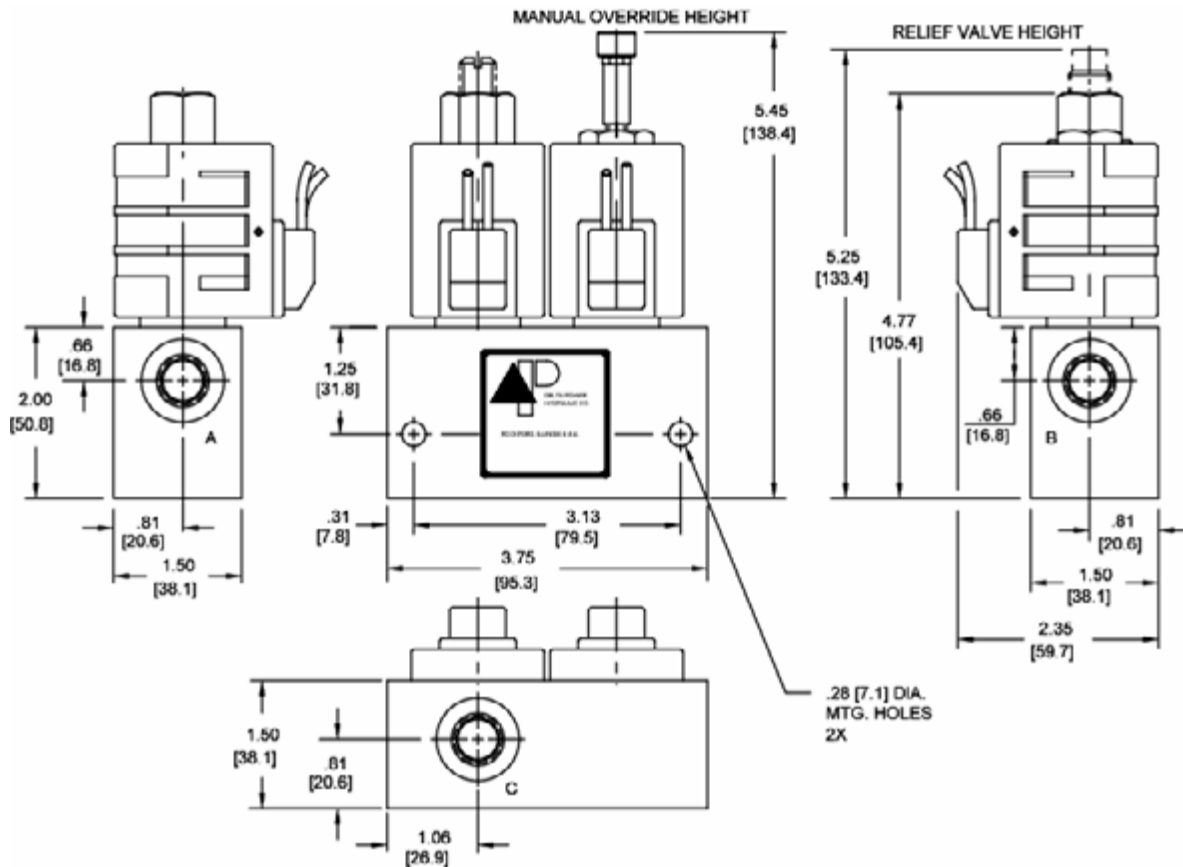
OPERATION

See options chart for specific operation.

VALVE SPECIFICATIONS

| | |
|-------------------------------|-----------------------------------|
| Nominal Flow | See Options Chart for Flow Range |
| Rated Operating Pressure | See Options Chart for Pres. Range |
| Viscosity Range | 36 to 3000 SSU (3 to 647 cSt) |
| Filtration | 30 micron nominal |
| Media Operating Temp. Range | -40° to 250°F (-40° to 120°C) |
| Operating Fluid Media | General Purpose Hydraulic Fluid |
| Cartridge Size | Delta Series 7/8-14 Thread |
| Cartridge Torque Requirements | 30 ft-lbs (40.6 Nm) |
| Coil Torque Nut Requirements | 4-6 ft-lbs (5.4-8.1 Nm) |

DIMENSIONS



WARNING: the specifications/application data shown in our catalogs and data sheets are intended only as a general guide for the product described (herein). Any specific application should not be undertaken without independent study, evaluation, and testing for suitability.

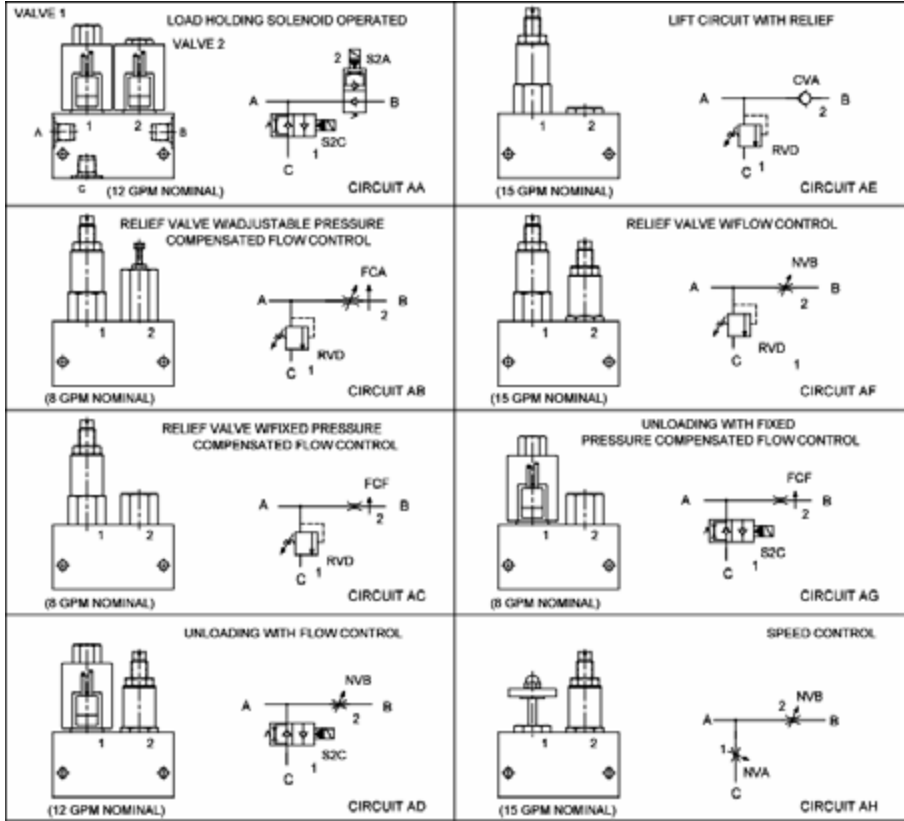


4484 Boeing Drive Rockford, IL 61109 • USA • Phone +1 (815) 397-6628 • Fax +1 (815) 397-2526
 mail: delta@delta-power.com • www.delta-power.com



Via Malavolti, 36 • 41122 Modena • ITALY • Phone +39 (059) 254895 • Fax +39 (059) 253512
 mail: tecnord@tecnord.com • www.tecnord.com

OPTIONS CHART



ORDERING INFORMATION

Approximate Coil Weight: .74 lbs (.33 kg)

| CIRCUITS | OPTIONS | VOLTAGE | VALVE 2 FLOW | VALVE 2 PRESSURE |
|----------|--------------------|------------|----------------------------------|-------------------------|
| AA | Buna Standard 00 | 06 6 VDC | 01 .5-1 GPM | 02 20-500 PSI |
| AB | Viton Standard V0 | 12 12 VDC | 02 1-2 GPM | 15 200-1500 PSI |
| AC | Manual Override 0M | 24 24 VDC | 04 2-4 GPM | 30 1500-3000 PSI |
| AD | | 36 36 VDC | 08 4-8 GPM | 40 2500-4000 PSI |
| AE | | 48 48 VDC | FLOW CONTROL RELIEF VALVE | |
| AF | | 25 25 VAC | | |
| AG | | 11 120 VAC | | |
| AH | | 22 220 VAC | | |
| | | 44 440 VAC | VALVE 1 FLOW | VALVE 1 PRESSURE |
| | | | 01 .5-1 GPM | 02 20-500 PSI |
| | | | 02 1-2 GPM | 15 200-1500 PSI |
| | | | 04 2-4 GPM | 30 1500-3000 PSI |
| | | | 08 4-8 GPM | 40 2500-4000 PSI |
| | | | FLOW CONTROL RELIEF VALVE | |

"D" COIL TERMINATION
(All DC Except as Noted)

- DL Double Lead
- DT Deutsch on Leads DT04-2P
- ML Metri-Pack on Leads
- PL Packard on Leads
- WL Weatherpack on Leads
- SS Single Spade
- DS Double Spade

- HC DIN 43650 (Hirschmann) - (AC&DC)
- CL Conduit Lead - (AC Only)
- DI Deutsch - Integral DT04-2P

IMMERSION PROOF "D" TYPE

- IA "I" Coil AMP Superseal - Integral
- ID "I" Coil Deutsch - Integral DT04-2P
- IJ "I" Coil AMP Jr. Timer - Integral
- IM "I" Coil Metri-Pack - Integral

FOR SPECIAL PRESET VALUES ON VALVES, CONSULT FACTORY

W 7 / 2017

WARNING: the specifications/application data shown in our catalogs and data sheets are intended only as a general guide for the product described (herein). Any specific application should not be undertaken without independent study, evaluation, and testing for suitability.



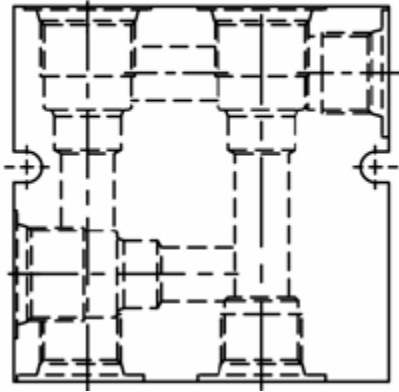
4484 Boeing Drive Rockford, IL 61109 • USA • Phone +1 (815) 397-6628 • Fax +1 (815) 397-2526
mail: delta@delta-power.com • www.delta-power.com



Via Malavolti, 36 • 41122 Modena • ITALY • Phone +39 (059) 254895 • Fax +39 (059) 253512
mail: tecnord@tecnord.com • www.tecnord.com

PRE-ENGINEERED CIRCUIT, OPTION MODEL B*

BASE BODY - 20200002 = #8 SAE



BODY WEIGHT: 1.2 lbs (.54 kg)

DESCRIPTION

Pre-engineered circuit, option model B*.

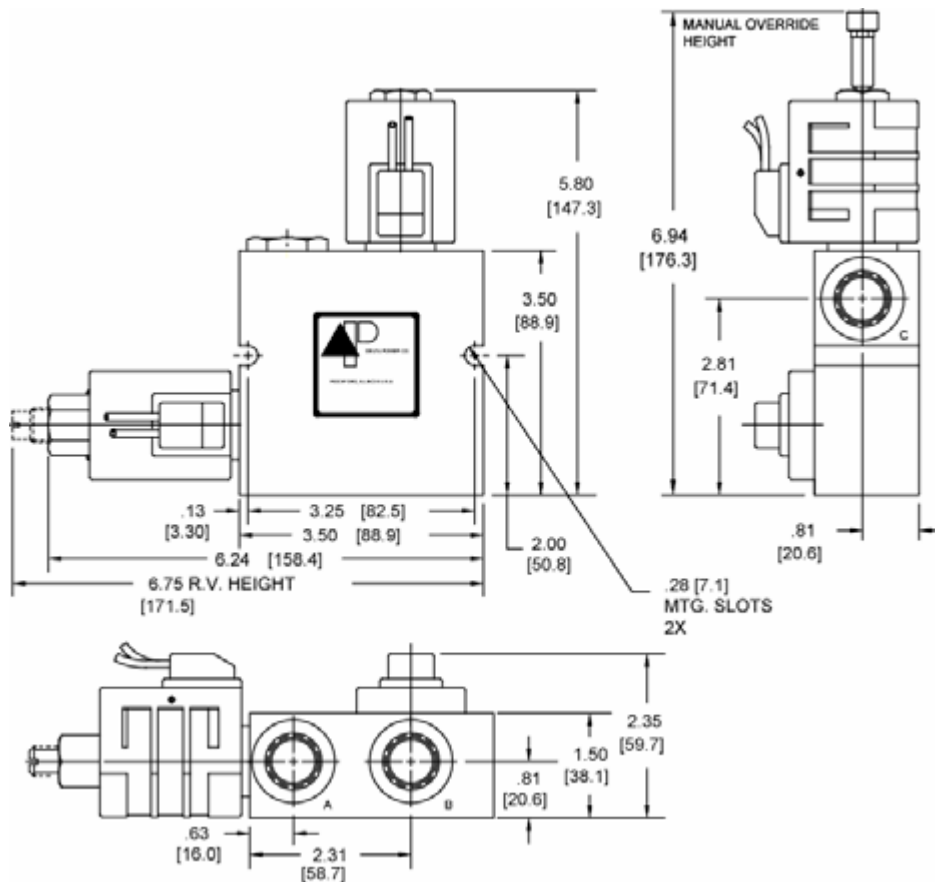
OPERATION

See options chart for specific operation.

VALVE SPECIFICATIONS

| | |
|-------------------------------|---------------------------------|
| Nominal Flow | 12 GPM (48 LPM) |
| Rated Operating Pressure | 3500 PSI (241 bar) |
| Viscosity Range | 36 to 3000 SSU (3 to 647 cSt) |
| Filtration | 30 micron nominal |
| Media Operating Temp. Range | -40° to 250°F (-40° to 120°C) |
| Operating Fluid Media | General Purpose Hydraulic Fluid |
| Cartridge Size | Delta Series 7/8-14 Thread |
| Cartridge Torque Requirements | 30 ft-lbs (40.6 Nm) |
| Coil Torque Nut Requirements | 4-6 ft-lbs (5.4-8.1 Nm) |

DIMENSIONS



WARNING: the specifications/application data shown in our catalogs and data sheets are intended only as a general guide for the product described (herein). Any specific application should not be undertaken without independent study, evaluation, and testing for suitability.

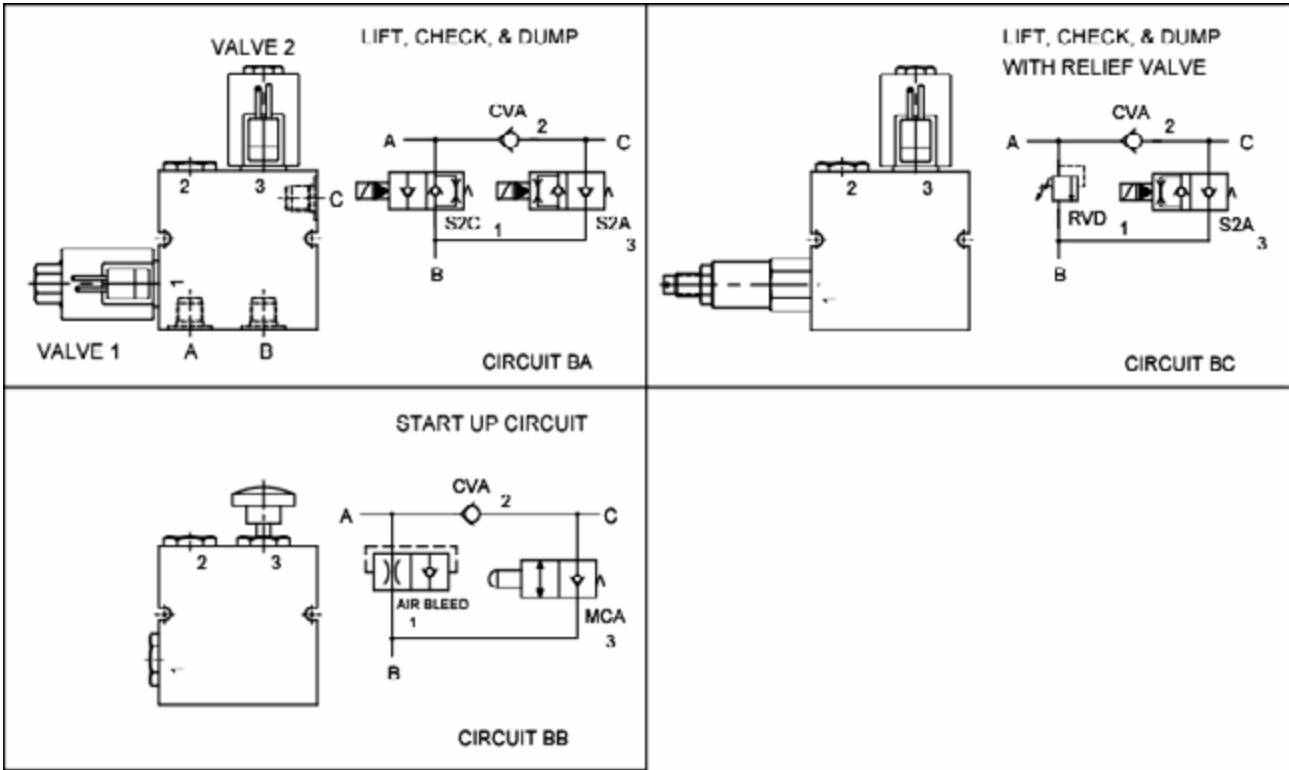


4484 Boeing Drive Rockford, IL 61109 • USA • Phone +1 (815) 397-6628 • Fax +1 (815) 397-2526
 mail: delta@delta-power.com • www.delta-power.com



Via Malavolti, 36 • 41122 Modena • ITALY • Phone +39 (059) 254895 • Fax +39 (059) 253512
 mail: tecnord@tecnord.com • www.tecnord.com

OPTIONS CHART



ORDERING INFORMATION

Approximate Coil Weight: .74 lbs (.33 kg)

| | | | | | | | | |
|-----------------|-----------------|----------------|----|----------------|---------------------|----------------|----|---------------|
| CIRCUITS | | OPTIONS | | VOLTAGE | | VALVE 2 | | |
| BA | Buna Standard | 00 | 06 | 6 VDC | 01 | .5-1 GPM | 02 | 20-500 PSI |
| BB | Viton Standard | V0 | 12 | 12 VDC | 02 | 1-2 GPM | 15 | 200-1500 PSI |
| BC | Manual Override | 0M | 24 | 24 VDC | 04 | 2-4 GPM | 30 | 1500-3000 PSI |
| | | | 36 | 36 VDC | 08 | 4-8 GPM | 40 | 2500-4000 PSI |
| | | | 48 | 48 VDC | FLOW CONTROL | | | |
| | | | 25 | 25 VAC | RELIEF VALVE | | | |
| | | | 11 | 120 VAC | VALVE 1 | | | |
| | | | 22 | 220 VAC | 01 | .5-1 GPM | 02 | 20-500 PSI |
| | | | 44 | 440 VAC | 02 | 1-2 GPM | 15 | 200-1500 PSI |
| | | | | | 04 | 2-4 GPM | 30 | 1500-3000 PSI |
| | | | | | 08 | 4-8 GPM | 40 | 2500-4000 PSI |
| | | | | | FLOW CONTROL | | | |
| | | | | | RELIEF VALVE | | | |

| | | | |
|---|-------------------------------------|--|--|
| "D" COIL TERMINATION (All DC Except as Noted) | | IMMERSION PROOF "D" TYPE | |
| DL Double Lead | HC DIN 43650 (Hirschmann) - (AC&DC) | IA "I" Coil AMP Superseal - Integral | |
| DT Deutsch on Leads DT04-2P | CL Conduit Lead - (AC Only) | ID "I" Coil Deutsch - Integral DT04-2P | |
| ML Metri-Pack on Leads | DI Deutsch - Integral DT04-2P | IJ "I" Coil AMP Jr. Timer - Integral | |
| PL Packard on Leads | | IM "I" Coil Metri-Pack - Integral | |
| WL Weatherpack on Leads | | | |
| SS Single Spade | | | |
| DS Double Spade | | | |

FOR SPECIAL PRESET VALUES ON VALVES, CONSULT FACTORY

WARNING: the specifications/application data shown in our catalogs and data sheets are intended only as a general guide for the product described (herein). Any specific application should not be undertaken without independent study, evaluation, and testing for suitability.



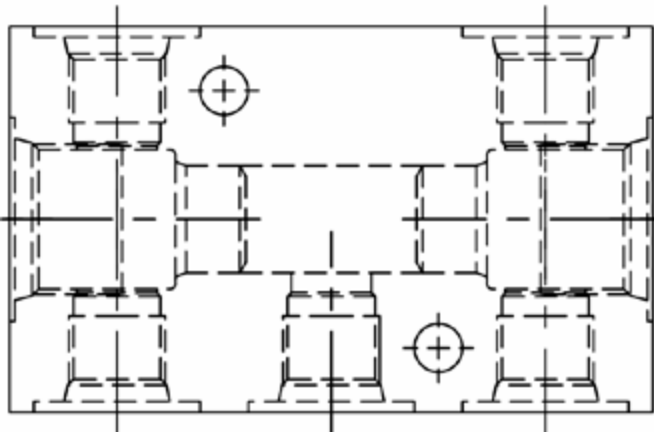
4484 Boeing Drive Rockford, IL 61109 • USA • Phone +1 (815) 397-6628 • Fax +1 (815) 397-2526
 mail: delta@delta-power.com • www.delta-power.com



Via Malavolti, 36 • 41122 Modena • ITALY • Phone +39 (059) 254895 • Fax +39 (059) 253512
 mail: tecnord@tecnord.com • www.tecnord.com

PRE-ENGINEERED CIRCUIT, OPTION MODEL C*

BASE BODY - 20200003 = #6 SAE



BODY WEIGHT: .83 lbs (.37 kg)

DESCRIPTION

Pre-engineered circuit, option model C*.

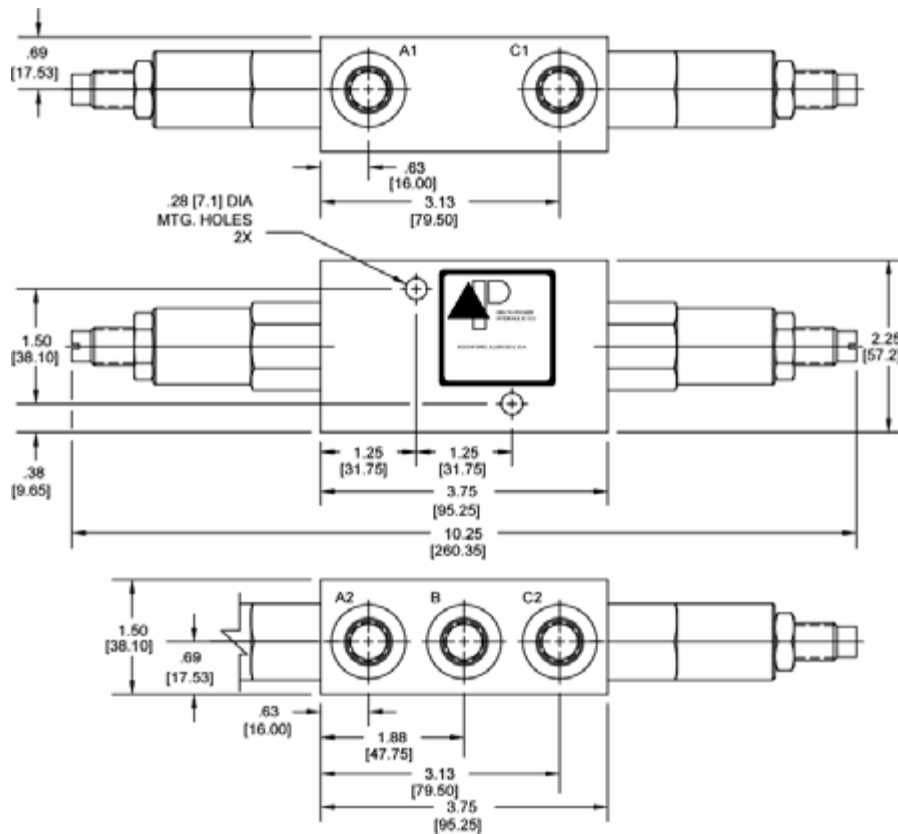
OPERATION

See options chart for specific operation.

VALVE SPECIFICATIONS

| | |
|-------------------------------|-----------------------------------|
| Nominal Flow | See Options Chart for Flow Range |
| Rated Operating Pressure | See Options Chart for Pres. Range |
| Viscosity Range | 36 to 3000 SSU (3 to 647 cSt) |
| Filtration | 30 micron nominal |
| Media Operating Temp. Range | -40° to 250°F (-40° to 120°C) |
| Operating Fluid Media | General Purpose Hydraulic Fluid |
| Cartridge Size | Delta Series 7/8-14 Thread |
| Cartridge Torque Requirements | 30 ft-lbs (40.6 Nm) |
| Coil Torque Nut Requirements | 4-6 ft-lbs (5.4-8.1 Nm) |

DIMENSIONS



WARNING: the specifications/application data shown in our catalogs and data sheets are intended only as a general guide for the product described (herein). Any specific application should not be undertaken without independent study, evaluation, and testing for suitability.

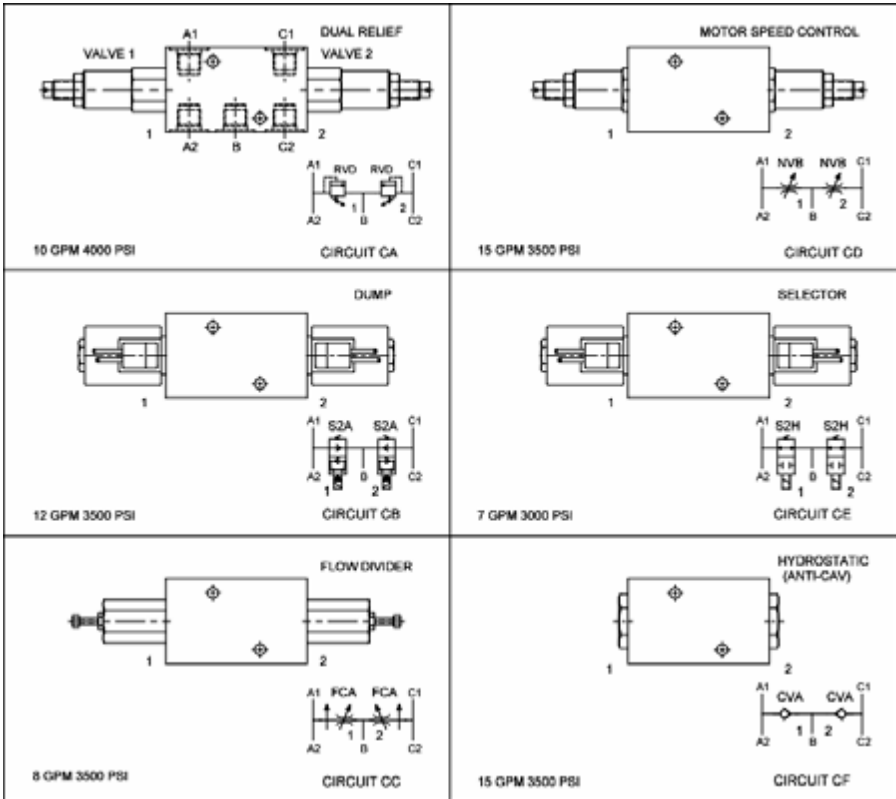


4484 Boeing Drive Rockford, IL 61109 • USA • Phone +1 (815) 397-6628 • Fax +1 (815) 397-2526
 mail: delta@delta-power.com • www.delta-power.com



Via Malavolti, 36 • 41122 Modena • ITALY • Phone +39 (059) 254895 • Fax +39 (059) 253512
 mail: tecnord@tecnord.com • www.tecnord.com

OPTIONS CHART



ORDERING INFORMATION

Approximate Coil Weight: .74 lbs (.33 kg)

| | | | | | | | | | | | | | | | |
|--|--|--|--|-----------------|-----------------|---------------|---------------|-----------------|-----------------|------------------|------------------|------------------|---------------------|---------------------|--|
| <p>CIRCUITS</p> <p>CA CB CC CD CE CF</p> | <p>OPTIONS</p> <p>Buna Standard 00 Viton Standard V0 Manual Override 0M</p> | <p>VOLTAGE</p> <p>06 6 VDC 12 12 VDC 24 24 VDC 36 36 VDC 48 48 VDC 25 25 VAC 11 120 VAC 22 220 VAC 44 440 VAC</p> | <p>VALVE 2</p> <table border="0"> <tr> <td>FLOW</td> <td>PRESSURE</td> </tr> <tr> <td>01 .5-1 GPM</td> <td>02 20-500 PSI</td> </tr> <tr> <td>02 1-2 GPM</td> <td>15 200-1500 PSI</td> </tr> <tr> <td>04 2-4 GPM</td> <td>30 1500-3000 PSI</td> </tr> <tr> <td>08 4-8 GPM</td> <td>40 2500-4000 PSI</td> </tr> <tr> <td>FLOW CONTROL</td> <td>RELIEF VALVE</td> </tr> </table> | FLOW | PRESSURE | 01 .5-1 GPM | 02 20-500 PSI | 02 1-2 GPM | 15 200-1500 PSI | 04 2-4 GPM | 30 1500-3000 PSI | 08 4-8 GPM | 40 2500-4000 PSI | FLOW CONTROL | RELIEF VALVE |
| FLOW | PRESSURE | | | | | | | | | | | | | | |
| 01 .5-1 GPM | 02 20-500 PSI | | | | | | | | | | | | | | |
| 02 1-2 GPM | 15 200-1500 PSI | | | | | | | | | | | | | | |
| 04 2-4 GPM | 30 1500-3000 PSI | | | | | | | | | | | | | | |
| 08 4-8 GPM | 40 2500-4000 PSI | | | | | | | | | | | | | | |
| FLOW CONTROL | RELIEF VALVE | | | | | | | | | | | | | | |
| <p>"D" COIL TERMINATION (All DC Except as Noted)</p> <p>DL Double Lead DT Deutsch on Leads DT04-2P ML Metri-Pack on Leads PL Packard on Leads WL Weatherpack on Leads SS Single Spade DS Double Spade</p> | <p>HC DIN 43650 (Hirschmann) - (AC&DC) CL Conduit Lead - (AC Only) DI Deutsch - Integral DT04-2P</p> | <p>VALVE 1</p> <table border="0"> <tr> <td>FLOW</td> <td>PRESSURE</td> </tr> <tr> <td>01 .5-1 GPM</td> <td>02 20-500 PSI</td> </tr> <tr> <td>02 1-2 GPM</td> <td>15 200-1500 PSI</td> </tr> <tr> <td>04 2-4 GPM</td> <td>30 1500-3000 PSI</td> </tr> <tr> <td>08 4-8 GPM</td> <td>40 2500-4000 PSI</td> </tr> <tr> <td>FLOW CONTROL</td> <td>RELIEF VALVE</td> </tr> </table> | FLOW | PRESSURE | 01 .5-1 GPM | 02 20-500 PSI | 02 1-2 GPM | 15 200-1500 PSI | 04 2-4 GPM | 30 1500-3000 PSI | 08 4-8 GPM | 40 2500-4000 PSI | FLOW CONTROL | RELIEF VALVE | <p>IMMERSION PROOF "D" TYPE</p> <p>IA "I" Coil AMP Superseal - Integral ID "I" Coil Deutsch - Integral DT04-2P IJ "I" Coil AMP Jr. Timer - Integral IM "I" Coil Metri-Pack - Integral</p> |
| FLOW | PRESSURE | | | | | | | | | | | | | | |
| 01 .5-1 GPM | 02 20-500 PSI | | | | | | | | | | | | | | |
| 02 1-2 GPM | 15 200-1500 PSI | | | | | | | | | | | | | | |
| 04 2-4 GPM | 30 1500-3000 PSI | | | | | | | | | | | | | | |
| 08 4-8 GPM | 40 2500-4000 PSI | | | | | | | | | | | | | | |
| FLOW CONTROL | RELIEF VALVE | | | | | | | | | | | | | | |

FOR SPECIAL PRESET VALUES ON VALVES, CONSULT FACTORY

WARNING: the specifications/application data shown in our catalogs and data sheets are intended only as a general guide for the product described (herein). Any specific application should not be undertaken without independent study, evaluation, and testing for suitability.



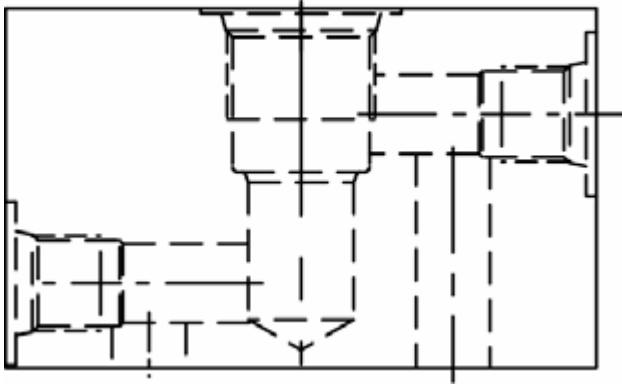
4484 Boeing Drive Rockford, IL 61109 • USA • Phone +1 (815) 397-6628 • Fax +1 (815) 397-2526
mail: delta@delta-power.com • www.delta-power.com



Via Malavolti, 36 • 41122 Modena • ITALY • Phone +39 (059) 254895 • Fax +39 (059) 253512
mail: tecnord@tecnord.com • www.tecnord.com

PRE-ENGINEERED CIRCUIT, OPTION MODEL D*

BASE BODY - 20200004 = #6 SAE



BODY WEIGHT: .83 lbs (.37 kg)

DESCRIPTION

Pre-engineered circuit, option model D*.

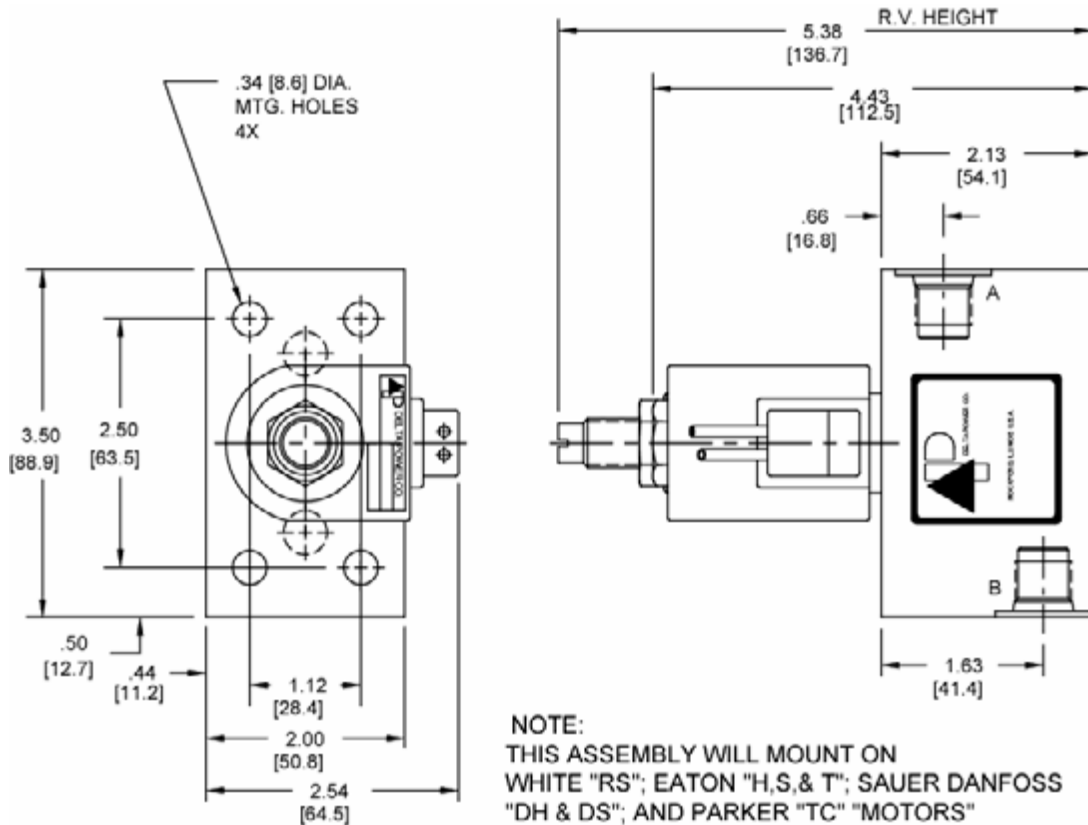
OPERATION

See options chart for specific operation.

VALVE SPECIFICATIONS

| | |
|-------------------------------|-----------------------------------|
| Nominal Flow | See Options Chart for Flow Range |
| Rated Operating Pressure | See Options Chart for Pres. Range |
| Viscosity Range | 36 to 3000 SSU (3 to 647 cSt) |
| Filtration | 30 micron nominal |
| Media Operating Temp. Range | -40° to 250°F (-40° to 120°C) |
| Operating Fluid Media | General Purpose Hydraulic Fluid |
| Cartridge Size | Delta Series 7/8-14 Thread |
| Cartridge Torque Requirements | 30 ft-lbs (40.6 Nm) |
| Coil Torque Nut Requirements | 4-6 ft-lbs (5.4-8.1 Nm) |

DIMENSIONS



WARNING: the specifications/application data shown in our catalogs and data sheets are intended only as a general guide for the product described (herein). Any specific application should not be undertaken without independent study, evaluation, and testing for suitability.

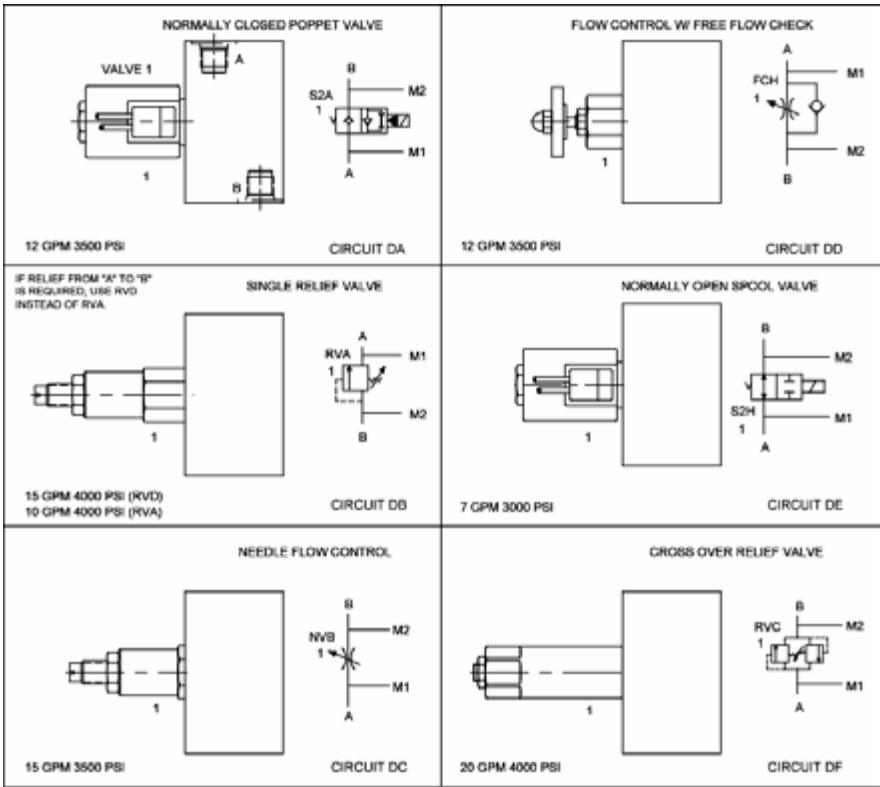


4484 Boeing Drive Rockford, IL 61109 • USA • Phone +1 (815) 397-6628 • Fax +1 (815) 397-2526
mail: delta@delta-power.com • www.delta-power.com



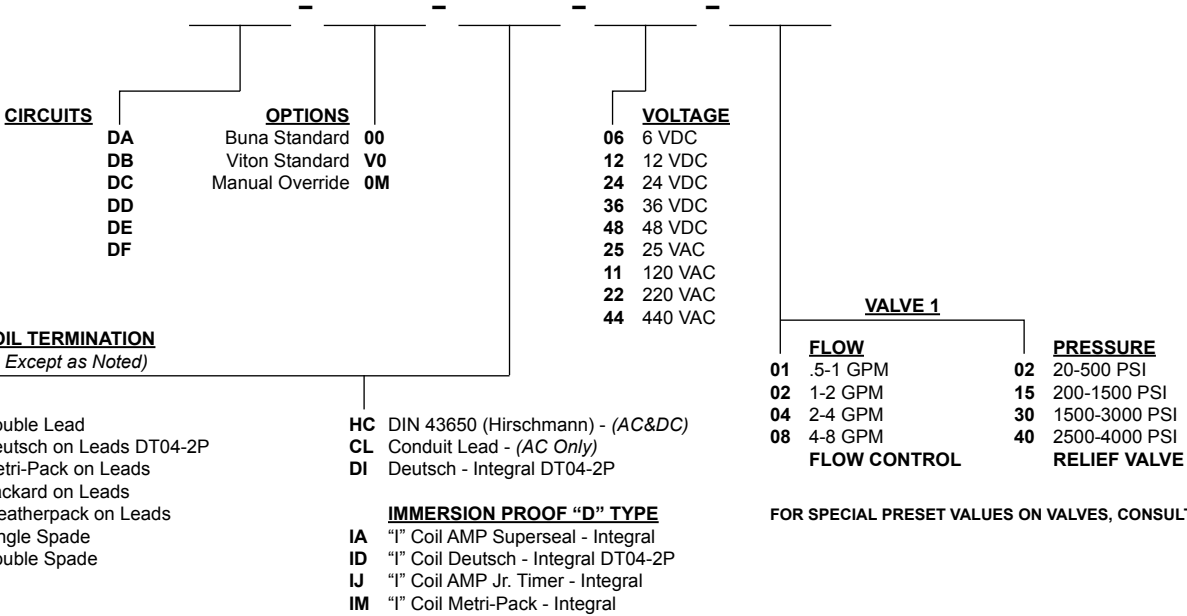
Via Malavolti, 36 • 41122 Modena • ITALY • Phone +39 (059) 254895 • Fax +39 (059) 253512
mail: tecnord@tecnord.com • www.tecnord.com

OPTIONS CHART



ORDERING INFORMATION

Approximate Coil Weight: .74 lbs (.33 kg)



WARNING: the specifications/application data shown in our catalogs and data sheets are intended only as a general guide for the product described (herein). Any specific application should not be undertaken without independent study, evaluation, and testing for suitability.



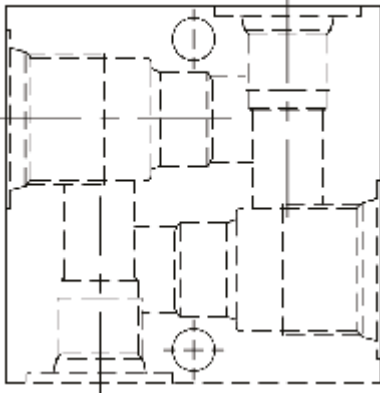
4484 Boeing Drive Rockford, IL 61109 • USA • Phone +1 (815) 397-6628 • Fax +1 (815) 397-2526
mail: delta@delta-power.com • www.delta-power.com



Via Malavolti, 36 • 41122 Modena • ITALY • Phone +39 (059) 254895 • Fax +39 (059) 253512
mail: tecnord@tecnord.com • www.tecnord.com

PRE-ENGINEERED CIRCUIT, OPTION MODEL E*

BASE BODY - 20200005 = #6 SAE



BODY WEIGHT: .75 lbs (.34 kg)

DESCRIPTION

Pre-engineered circuit, option model E*.

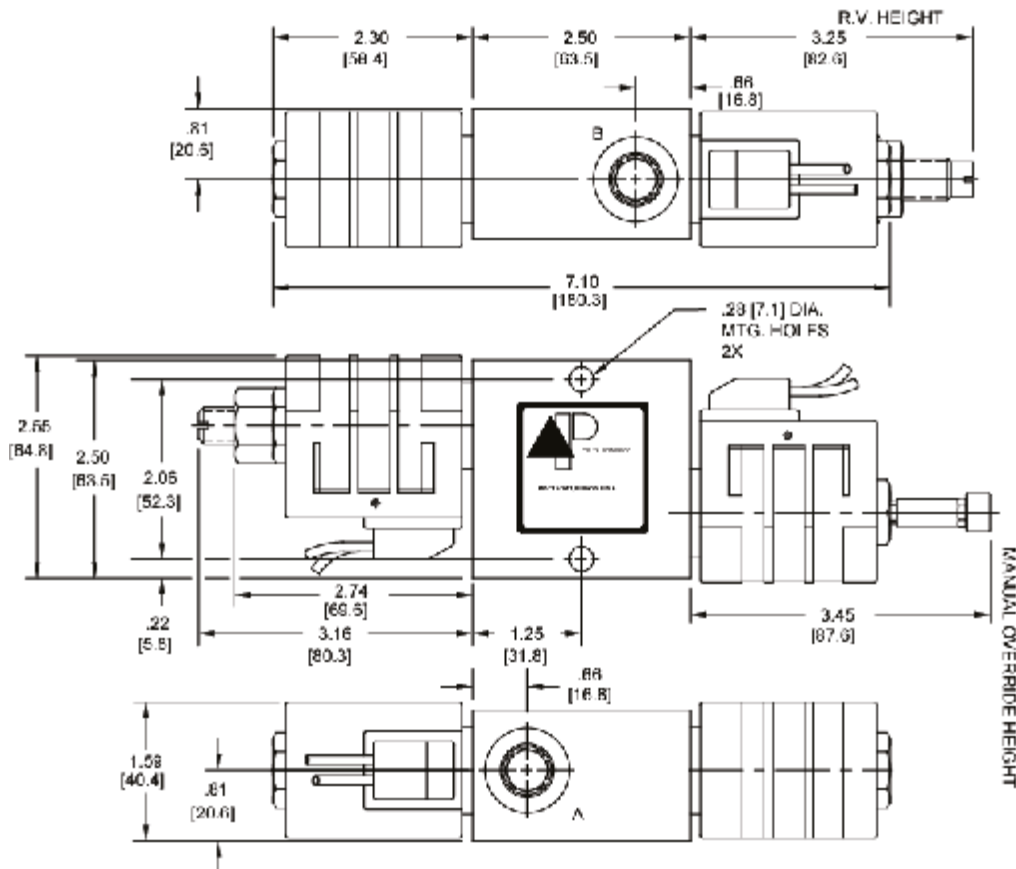
OPERATION

See options chart for specific operation.

VALVE SPECIFICATIONS

| | |
|-------------------------------|----------------------------------|
| Nominal Flow | See Options Chart for Flow Range |
| Rated Operating Pressure | 3500 PSI (241 bar) |
| Viscosity Range | 36 to 3000 SSU (3 to 647 cSt) |
| Filtration | 30 micron nominal |
| Media Operating Temp. Range | -40° to 250°F (-40° to 120°C) |
| Operating Fluid Media | General Purpose Hydraulic Fluid |
| Cartridge Size | Delta Series 7/8-14 Thread |
| Cartridge Torque Requirements | 30 ft-lbs (40.6 Nm) |
| Coil Torque Nut Requirements | 4-6 ft-lbs (5.4-8.1 Nm) |

DIMENSIONS



WARNING: the specifications/application data shown in our catalogs and data sheets are intended only as a general guide for the product described (herein). Any specific application should not be undertaken without independent study, evaluation, and testing for suitability.

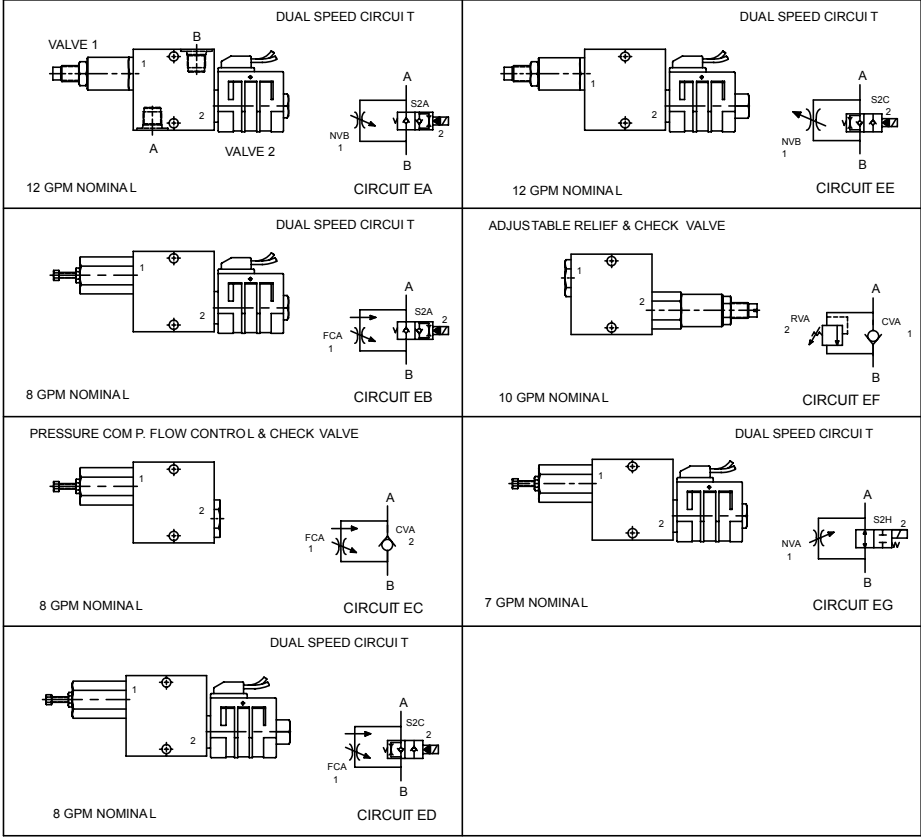


4484 Boeing Drive Rockford, IL 61109 • USA • Phone +1 (815) 397-6628 • Fax +1 (815) 397-2526
 mail: delta@delta-power.com • www.delta-power.com



Via Malavolti, 36 • 41122 Modena • ITALY • Phone +39 (059) 254895 • Fax +39 (059) 253512
 mail: tecnord@tecnord.com • www.tecnord.com

OPTIONS CHART



ORDERING INFORMATION

Approximate Coil Weight: .74 lbs (.33 kg)

| CIRCUITS | OPTIONS | VOLTAGE | VALVE 2 FLOW | VALVE 2 PRESSURE |
|----------|--------------------|------------|--------------|------------------|
| EA | Buna Standard 00 | 06 6 VDC | 01 .5-1 GPM | 02 20-500 PSI |
| EB | Viton Standard V0 | 12 12 VDC | 02 1-2 GPM | 15 200-1500 PSI |
| EC | Manual Override 0M | 24 24 VDC | 04 2-4 GPM | 30 1500-3000 PSI |
| ED | | 36 36 VDC | 08 4-8 GPM | 40 2500-4000 PSI |
| EE | | 48 48 VDC | | |
| EF | | 25 25 VAC | | |
| EG | | 11 120 VAC | | |
| | | 22 220 VAC | | |
| | | 44 440 VAC | | |
| | | | VALVE 1 FLOW | VALVE 1 PRESSURE |
| | | | 01 .5-1 GPM | 02 20-500 PSI |
| | | | 02 1-2 GPM | 15 200-1500 PSI |
| | | | 04 2-4 GPM | 30 1500-3000 PSI |
| | | | 08 4-8 GPM | 40 2500-4000 PSI |

“D” COIL TERMINATION
(All DC Except as Noted)

- DL Double Lead
- DT Deutsch on Leads DT04-2P
- ML Metri-Pack on Leads
- PL Packard on Leads
- WL Weatherpack on Leads
- SS Single Spade
- DS Double Spade

- HC DIN 43650 (Hirschmann) - (AC&DC)
- CL Conduit Lead - (AC Only)
- DI Deutsch - Integral DT04-2P

IMMERSION PROOF “D” TYPE

- IA “I” Coil AMP Superseal - Integral
- ID “I” Coil Deutsch - Integral DT04-2P
- IJ “I” Coil AMP Jr. Timer - Integral
- IM “I” Coil Metri-Pack - Integral

FOR SPECIAL PRESET VALUES ON VALVES, CONSULT FACTORY

W7 / 2017

WARNING: the specifications/application data shown in our catalogs and data sheets are intended only as a general guide for the product described (herein). Any specific application should not be undertaken without independent study, evaluation, and testing for suitability.



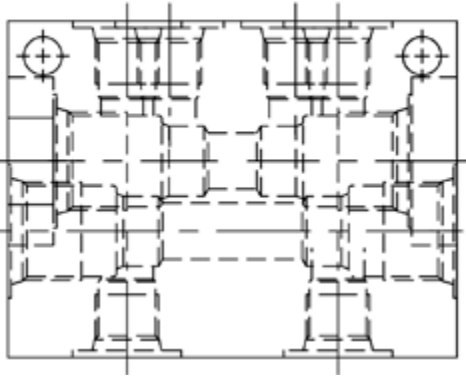
4484 Boeing Drive Rockford, IL 61109 • USA • Phone +1 (815) 397-6628 • Fax +1 (815) 397-2526
 mail: delta@delta-power.com • www.delta-power.com



Via Malavolti, 36 • 41122 Modena • ITALY • Phone +39 (059) 254895 • Fax +39 (059) 253512
 mail: tecnord@tecnord.com • www.tecnord.com

PRE-ENGINEERED CIRCUIT, OPTION MODEL F*

BASE BODY - 20200006 = #6 SAE



BODY WEIGHT: 1.5 lbs (.68 kg)

DESCRIPTION

Pre-engineered circuit, option model F*.

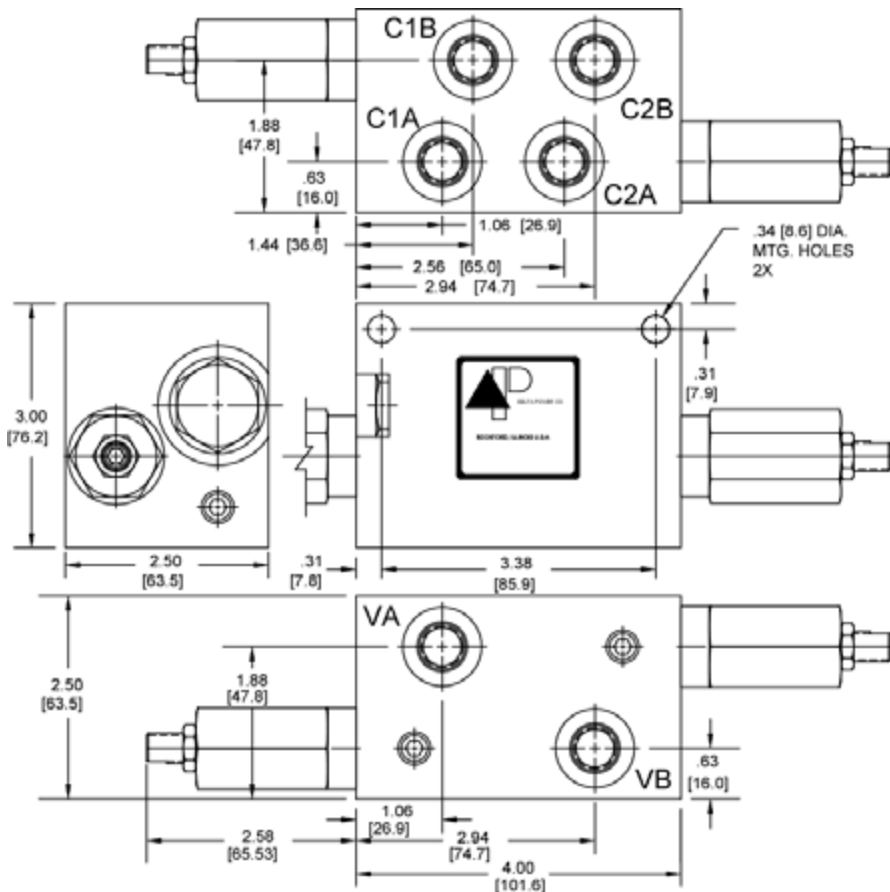
OPERATION

See options chart for specific operation.

VALVE SPECIFICATIONS

| | |
|-------------------------------|---------------------------------|
| Nominal Flow | 9 GPM (34 LPM) |
| Rated Operating Pressure | 50-1500 PSI (4-103 bar) |
| Viscosity Range | 36 to 3000 SSU (3 to 647 cSt) |
| Filtration | 30 micron nominal |
| Media Operating Temp. Range | -40° to 250°F (-40° to 120°C) |
| Operating Fluid Media | General Purpose Hydraulic Fluid |
| Cartridge Size | Delta Series 7/8-14 Thread |
| Cartridge Torque Requirements | 30 ft-lbs (40.6 Nm) |

DIMENSIONS



WARNING: the specifications/application data shown in our catalogs and data sheets are intended only as a general guide for the product described (herein). Any specific application should not be undertaken without independent study, evaluation, and testing for suitability.

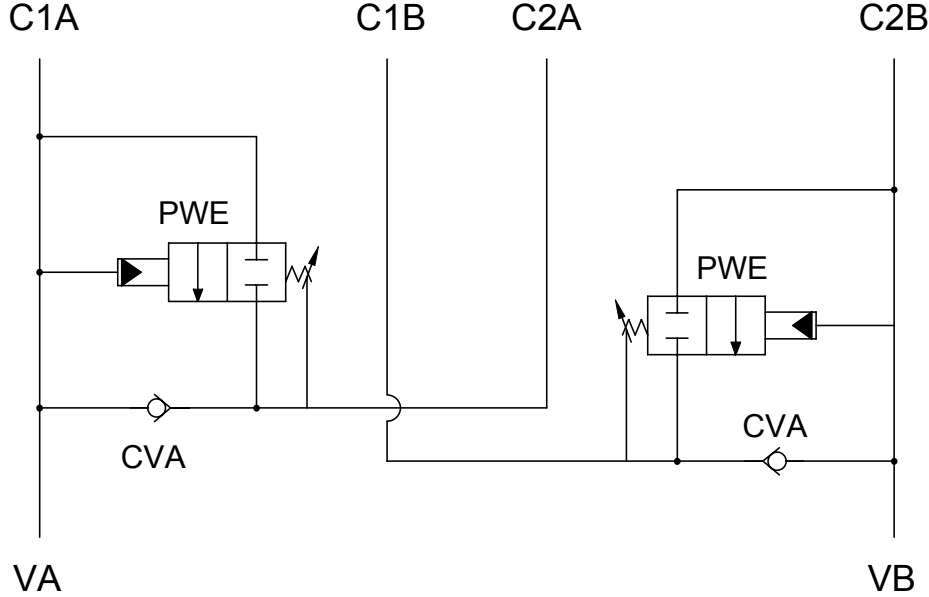


4484 Boeing Drive Rockford, IL 61109 • USA • Phone +1 (815) 397-6628 • Fax +1 (815) 397-2526
 mail: delta@delta-power.com • www.delta-power.com



Via Malavolti, 36 • 41122 Modena • ITALY • Phone +39 (059) 254895 • Fax +39 (059) 253512
 mail: tecnord@tecnord.com • www.tecnord.com

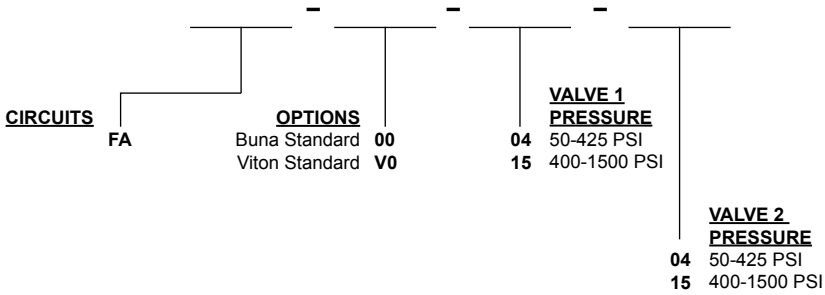
TYPICAL SCHEMATIC



DUAL SEQUENCE VALVE MANIFOLD
AUTOMATICALLY CONTROLS THE
SEQUENCING OF TWO CYLINDERS.

CIRCUIT FA

ORDERING INFORMATION



FOR SPECIAL PRESET VALUES ON VALVES, CONSULT FACTORY

W7 / 2017

WARNING: the specifications/application data shown in our catalogs and data sheets are intended only as a general guide for the product described (herein). Any specific application should not be undertaken without independent study, evaluation, and testing for suitability.



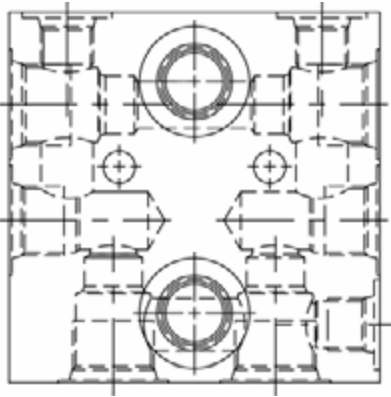
4484 Boeing Drive Rockford, IL 61109 • USA • Phone +1 (815) 397-6628 • Fax +1 (815) 397-2526
mail: delta@delta-power.com • www.delta-power.com



Via Malavolti, 36 • 41122 Modena • ITALY • Phone +39 (059) 254895 • Fax +39 (059) 253512
mail: tecnord@tecnord.com • www.tecnord.com

PRE-ENGINEERED CIRCUIT, OPTION MODEL G*

BASE BODY - 20200007 = #8 SAE



BODY WEIGHT: 1.36 lbs (.62 kg)

DESCRIPTION

Pre-engineered circuit, option model G*.

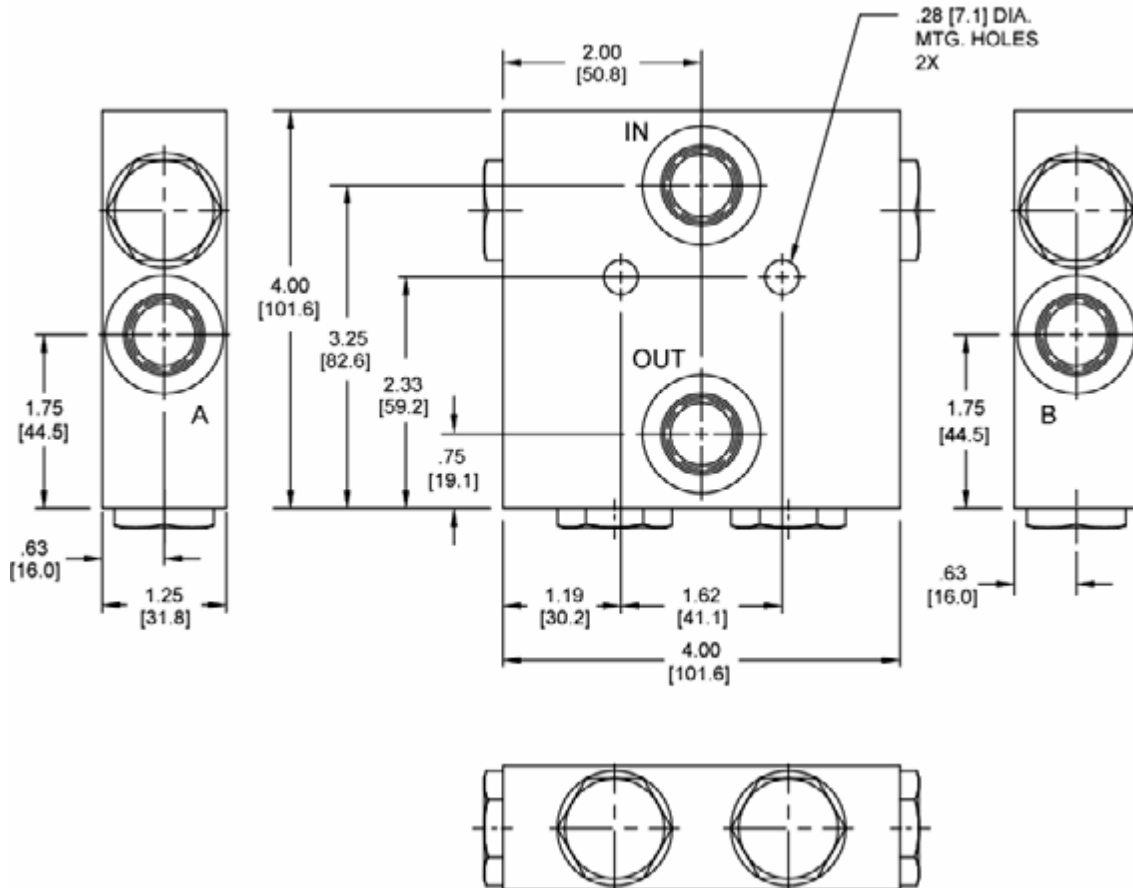
OPERATION

See options chart for specific operation.

VALVE SPECIFICATIONS

| | |
|-------------------------------|---------------------------------|
| Nominal Flow | 15 GPM (57 LPM) |
| Rated Operating Pressure | 3500 PSI (241 bar) |
| Viscosity Range | 36 to 3000 SSU (3 to 647 cSt) |
| Filtration | 30 micron nominal |
| Media Operating Temp. Range | -40° to 250°F (-40° to 120°C) |
| Operating Fluid Media | General Purpose Hydraulic Fluid |
| Cartridge Size | Delta Series 7/8-14 Thread |
| Cartridge Torque Requirements | 30 ft-lbs (40.6 Nm) |

DIMENSIONS



WARNING: the specifications/application data shown in our catalogs and data sheets are intended only as a general guide for the product described (herein). Any specific application should not be undertaken without independent study, evaluation, and testing for suitability.

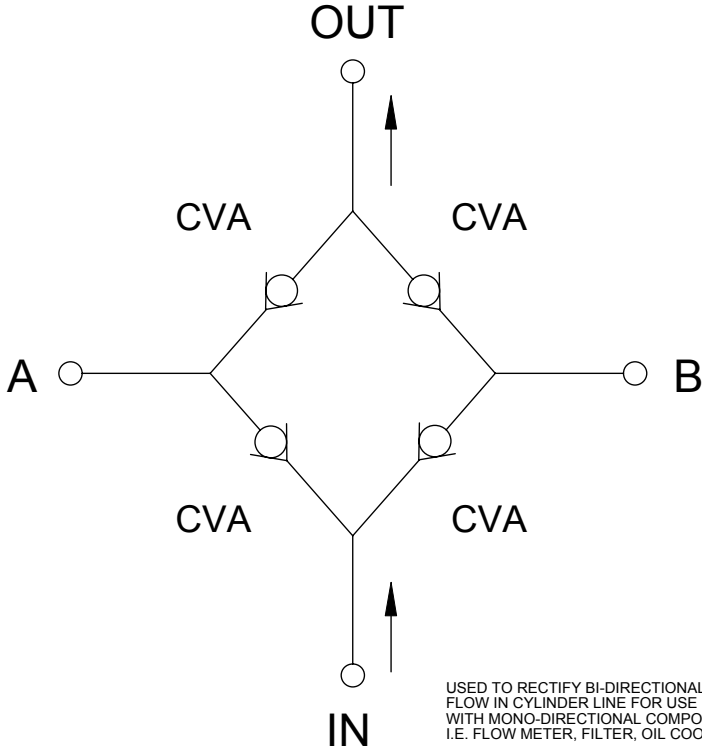


4484 Boeing Drive Rockford, IL 61109 • USA • Phone +1 (815) 397-6628 • Fax +1 (815) 397-2526
 mail: delta@delta-power.com • www.delta-power.com



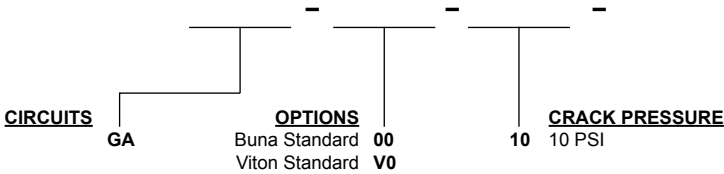
Via Malavolti, 36 • 41122 Modena • ITALY • Phone +39 (059) 254895 • Fax +39 (059) 253512
 mail: tecnord@tecnord.com • www.tecnord.com

TYPICAL SCHEMATIC



CIRCUIT GA RECTIFIER CIRCUIT

ORDERING INFORMATION



W7 / 2017

WARNING: the specifications/application data shown in our catalogs and data sheets are intended only as a general guide for the product described (herein). Any specific application should not be undertaken without independent study, evaluation, and testing for suitability.



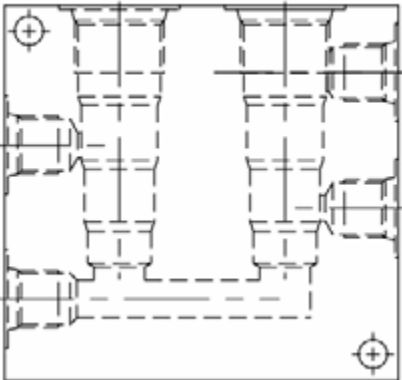
4484 Boeing Drive Rockford, IL 61109 • USA • Phone +1 (815) 397-6628 • Fax +1 (815) 397-2526
mail: delta@delta-power.com • www.delta-power.com



Via Malavolti, 36 • 41122 Modena • ITALY • Phone +39 (059) 254895 • Fax +39 (059) 253512
mail: tecnord@tecnord.com • www.tecnord.com

PRE-ENGINEERED CIRCUIT, OPTION MODEL H*

BASE BODY - 20200008 = #6 SAE



BODY WEIGHT: 1.50 lbs (.68 kg)

DESCRIPTION

Pre-engineered circuit, option model H*.

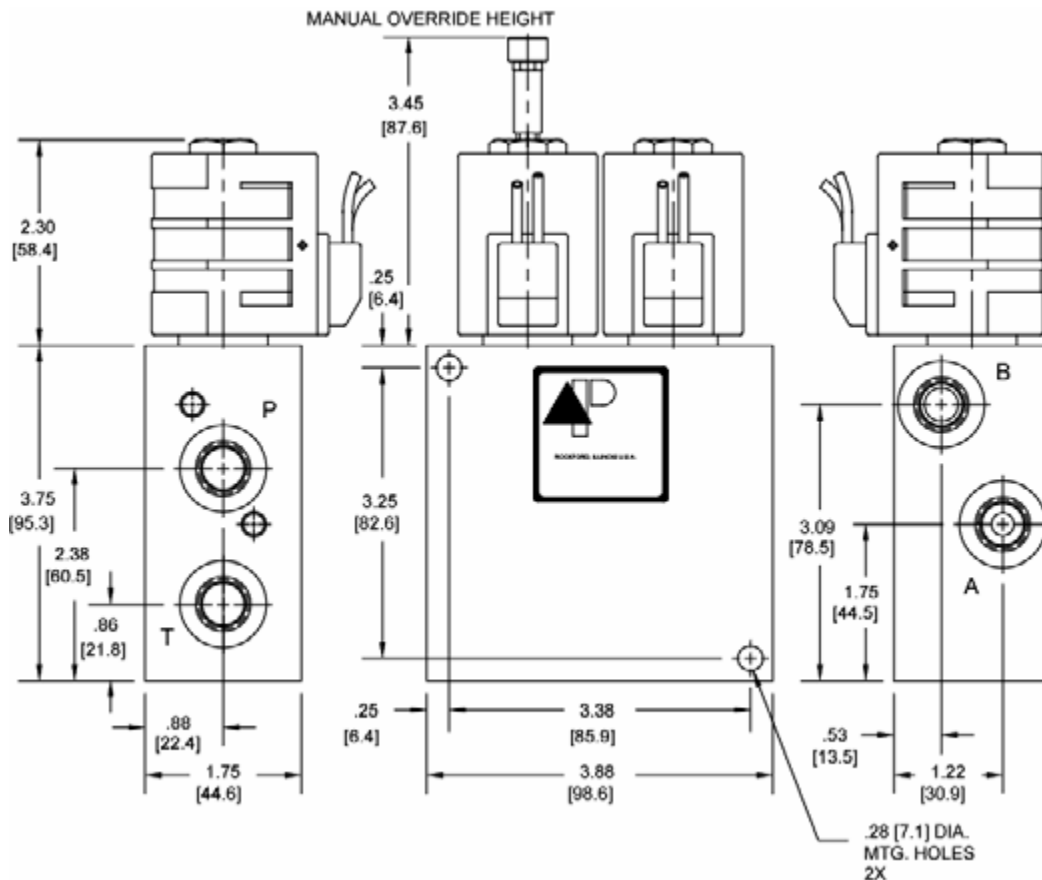
OPERATION

See options chart for specific operation.

VALVE SPECIFICATIONS

| | |
|-------------------------------|---------------------------------|
| Nominal Flow | 8 GPM (30 LPM) |
| Rated Operating Pressure | 3000 PSI (207 bar) |
| Viscosity Range | 36 to 3000 SSU (3 to 647 cSt) |
| Filtration | 30 micron nominal |
| Media Operating Temp. Range | -40° to 250°F (-40° to 120°C) |
| Operating Fluid Media | General Purpose Hydraulic Fluid |
| Cartridge Size | Delta Series 7/8-14 Thread |
| Cartridge Torque Requirements | 30 ft-lbs (40.6 Nm) |
| Coil Torque Nut Requirements | 4-6 ft-lbs (5.4-8.1 Nm) |

DIMENSIONS



WARNING: the specifications/application data shown in our catalogs and data sheets are intended only as a general guide for the product described (herein). Any specific application should not be undertaken without independent study, evaluation, and testing for suitability.

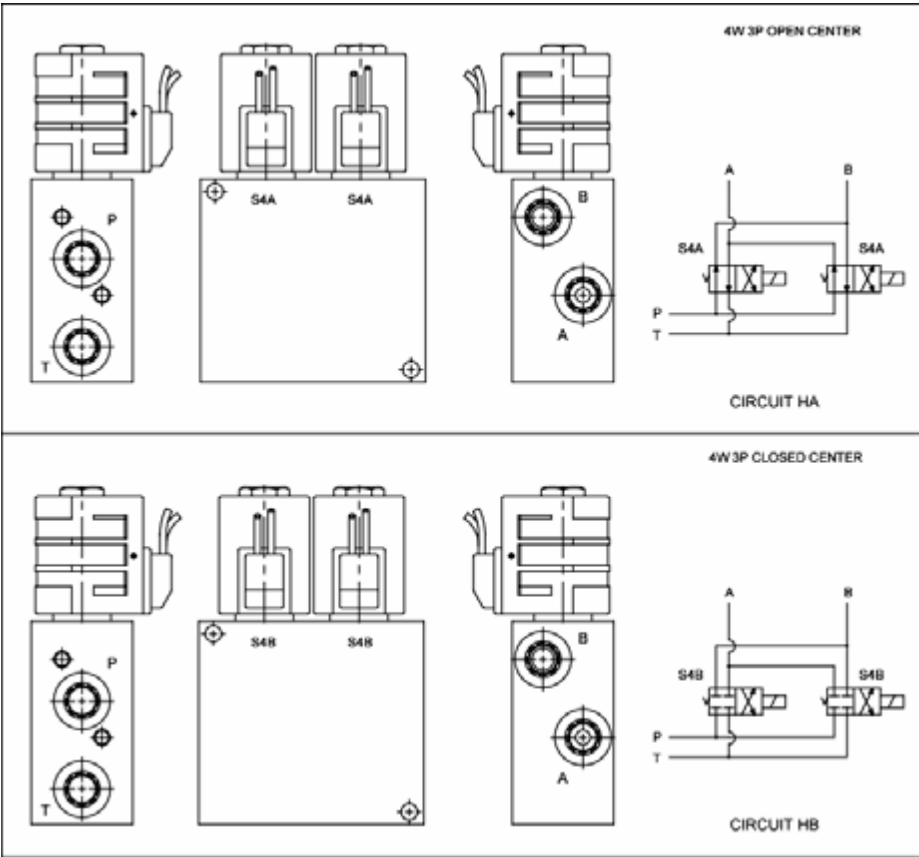


4484 Boeing Drive Rockford, IL 61109 • USA • Phone +1 (815) 397-6628 • Fax +1 (815) 397-2526
 mail: delta@delta-power.com • www.delta-power.com



Via Malavolti, 36 • 41122 Modena • ITALY • Phone +39 (059) 254895 • Fax +39 (059) 253512
 mail: tecnord@tecnord.com • www.tecnord.com

OPTIONS CHART



ORDERING INFORMATION

Approximate Coil Weight: .74 lbs (.33 kg)

| CIRCUITS | OPTIONS | VOLTAGE |
|----------|--------------------|------------|
| HA | Buna Standard 00 | 06 6 VDC |
| HB | Viton Standard V0 | 12 12 VDC |
| | Manual Override OM | 24 24 VDC |
| | | 36 36 VDC |
| | | 48 48 VDC |
| | | 25 25 VAC |
| | | 11 120 VAC |
| | | 22 220 VAC |
| | | 44 440 VAC |

“D” COIL TERMINATION
(All DC Except as Noted)

| | | |
|------------------------------------|--|---|
| DL Double Lead | SS Single Spade | IMMERSION PROOF “D” TYPE |
| DT Deutsch on Leads DT04-2P | DS Double Spade | |
| ML Metri-Pack on Leads | HC DIN 43650 (Hirschmann) - (AC&DC) | IA “I” Coil AMP Superseal - Integral |
| PL Packard on Leads | CL Conduit Lead - (AC Only) | ID “I” Coil Deutsch - Integral DT04-2P |
| WL Weatherpack on Leads | DI Deutsch - Integral DT04-2P | IJ “I” Coil AMP Jr. Timer - Integral |
| | | IM “I” Coil Metri-Pack - Integral |

W7 / 2017

WARNING: the specifications/application data shown in our catalogs and data sheets are intended only as a general guide for the product described (herein). Any specific application should not be undertaken without independent study, evaluation, and testing for suitability.



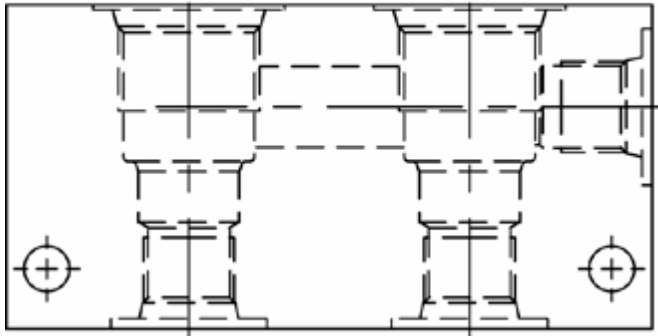
4484 Boeing Drive Rockford, IL 61109 • USA • Phone +1 (815) 397-6628 • Fax +1 (815) 397-2526
mail: delta@delta-power.com • www.delta-power.com



Via Malavolti, 36 • 41122 Modena • ITALY • Phone +39 (059) 254895 • Fax +39 (059) 253512
mail: tecnord@tecnord.com • www.tecnord.com

PRE-ENGINEERED CIRCUIT, OPTION MODEL I*

BASE BODY - 20200009 = #6 SAE



BODY WEIGHT: .83 lbs (.37 kg)

DESCRIPTION

Pre-engineered circuit, option model I*.

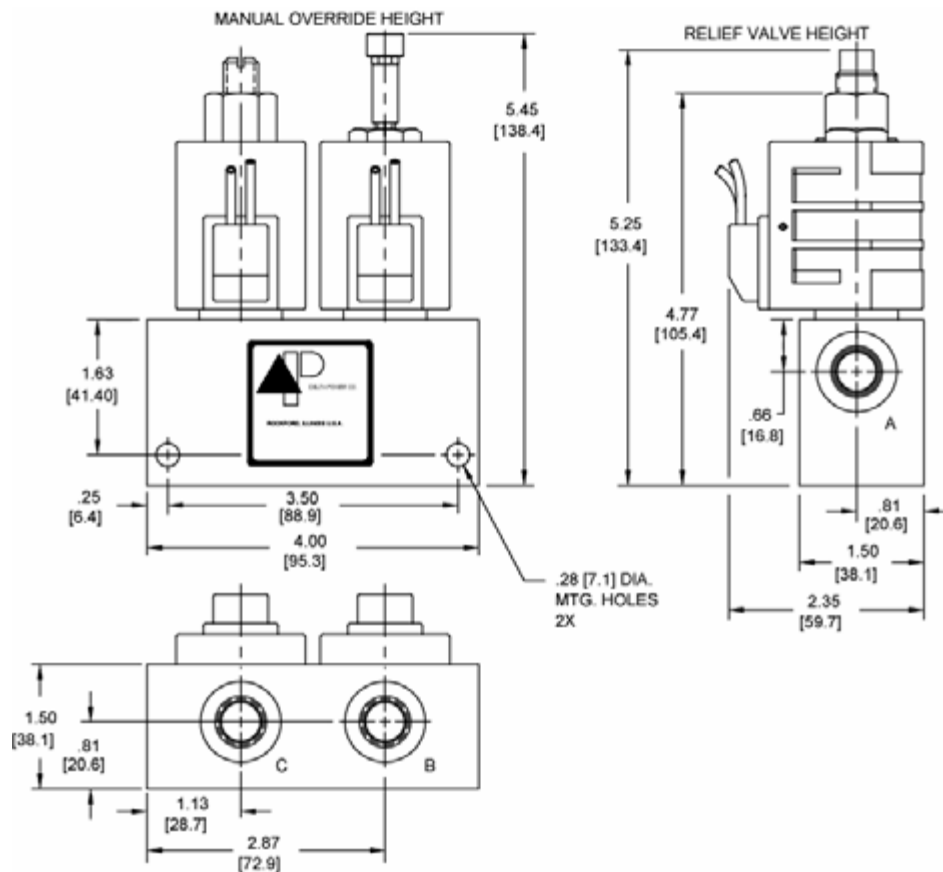
OPERATION

See model options for specific operation (back).

VALVE SPECIFICATIONS

| | |
|-------------------------------|---------------------------------|
| Nominal Flow | 12 GPM (45 LPM) |
| Rated Operating Pressure | 3500 PSI (241 bar) |
| Viscosity Range | 36 to 3000 SSU (3 to 647 cSt) |
| Filtration | 30 micron nominal |
| Media Operating Temp. Range | -40° to 250°F (-40° to 120°C) |
| Operating Fluid Media | General Purpose Hydraulic Fluid |
| Cartridge Size | Delta Series 7/8-14 Thread |
| Cartridge Torque Requirements | 30 ft-lbs (40.6 Nm) |
| Coil Torque Nut Requirements | 4-6 ft-lbs (5.4-8.1 Nm) |

DIMENSIONS



WARNING: the specifications/application data shown in our catalogs and data sheets are intended only as a general guide for the product described (herein). Any specific application should not be undertaken without independent study, evaluation, and testing for suitability.

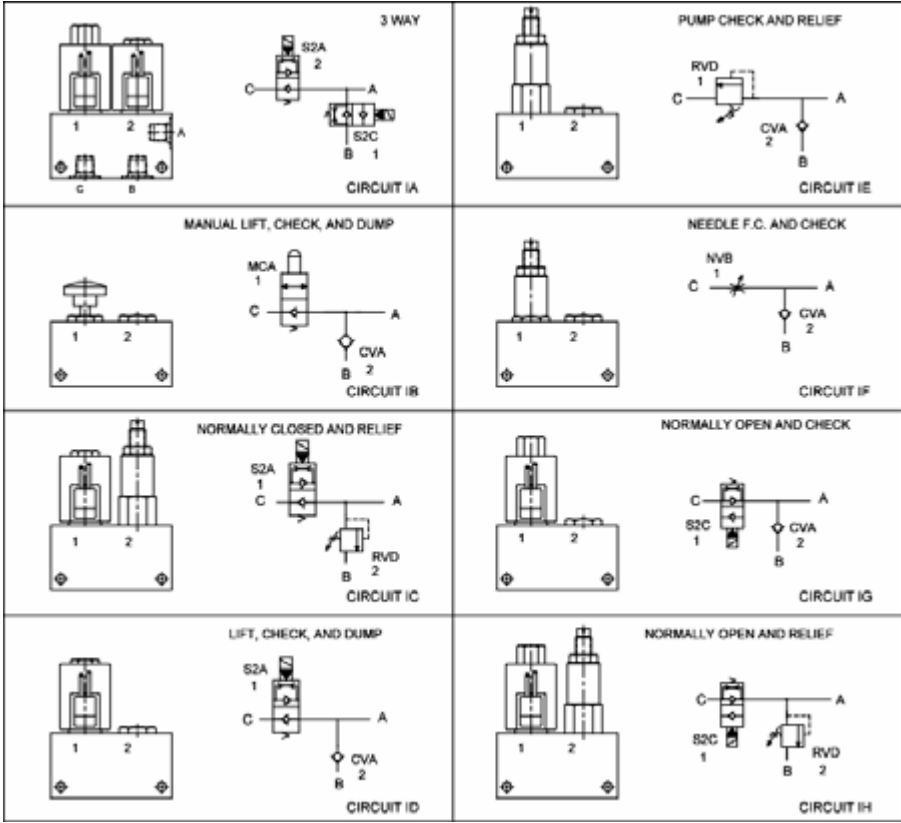


4484 Boeing Drive Rockford, IL 61109 • USA • Phone +1 (815) 397-6628 • Fax +1 (815) 397-2526
 mail: delta@delta-power.com • www.delta-power.com



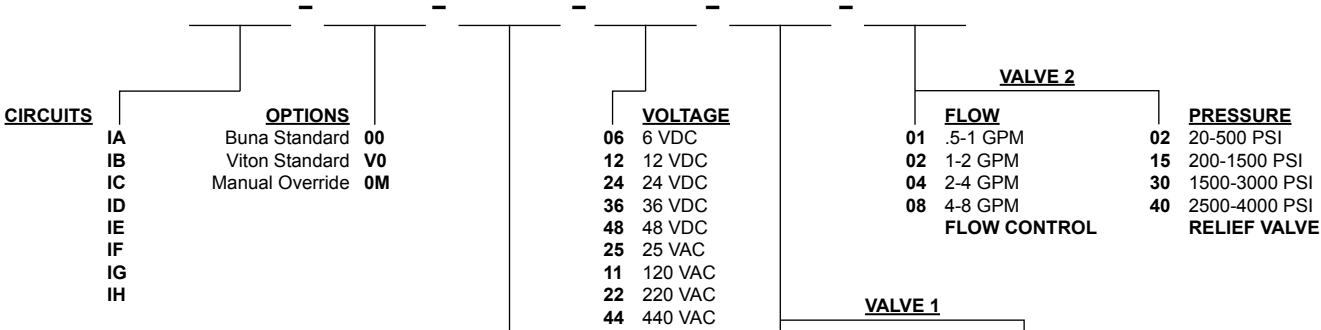
Via Malavolti, 36 • 41122 Modena • ITALY • Phone +39 (059) 254895 • Fax +39 (059) 253512
 mail: tecnord@tecnord.com • www.tecnord.com

OPTIONS CHART



ORDERING INFORMATION

Approximate Coil Weight: .74 lbs (.33 kg)



"D" COIL TERMINATION
(All DC Except as Noted)

- DL Double Lead
 - DT Deutsch on Leads DT04-2P
 - ML Metri-Pack on Leads
 - PL Packard on Leads
 - WL Weatherpack on Leads
 - SS Single Spade
 - DS Double Spade
 - HC DIN 43650 (Hirschmann) - (AC&DC)
 - CL Conduit Lead - (AC Only)
 - DI Deutsch - Integral DT04-2P
- IMMERSION PROOF "D" TYPE**
- IA "I" Coil AMP Superseal - Integral
 - ID "I" Coil Deutsch - Integral DT04-2P
 - IJ "I" Coil AMP Jr. Timer - Integral
 - IM "I" Coil Metri-Pack - Integral

FOR SPECIAL PRESET VALUES ON VALVES, CONSULT FACTORY

W7 / 2017

WARNING: the specifications/application data shown in our catalogs and data sheets are intended only as a general guide for the product described (herein). Any specific application should not be undertaken without independent study, evaluation, and testing for suitability.



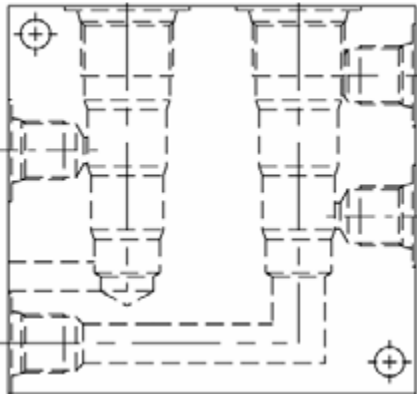
4484 Boeing Drive Rockford, IL 61109 • USA • Phone +1 (815) 397-6628 • Fax +1 (815) 397-2526
 mail: delta@delta-power.com • www.delta-power.com



Via Malavolti, 36 • 41122 Modena • ITALY • Phone +39 (059) 254895 • Fax +39 (059) 253512
 mail: tecnord@tecnord.com • www.tecnord.com

PRE-ENGINEERED CIRCUIT, OPTION MODEL J*

BASE BODY - 20200010 = #6 SAE



BODY WEIGHT: 1.50 lbs (.68 kg)

DESCRIPTION

Pre-engineered circuit, option model J*.

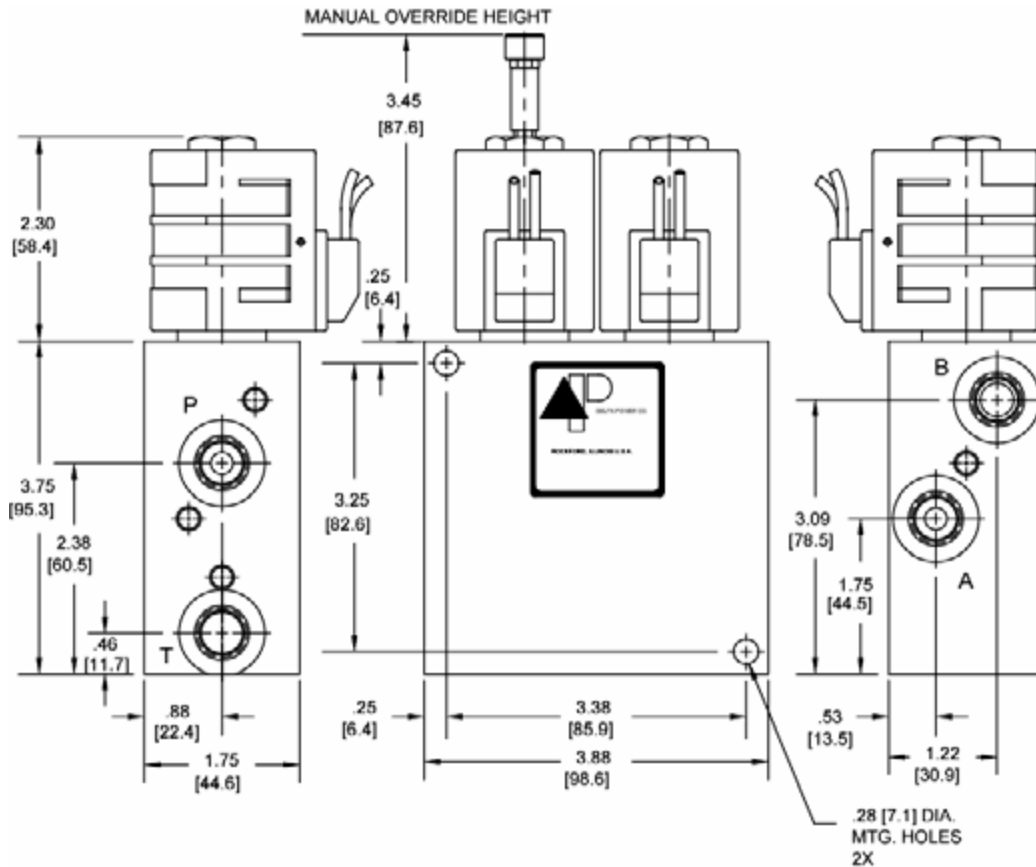
OPERATION

See typical schematic for specific operation.

VALVE SPECIFICATIONS

| | |
|-------------------------------|---------------------------------|
| Nominal Flow | 8 GPM (30 LPM) |
| Rated Operating Pressure | 3000 PSI (207 bar) |
| Viscosity Range | 36 to 3000 SSU (3 to 647 cSt) |
| Filtration | 30 micron nominal |
| Media Operating Temp. Range | -40° to 250°F (-40° to 120°C) |
| Operating Fluid Media | General Purpose Hydraulic Fluid |
| Cartridge Size | Delta Series 7/8-14 Thread |
| Cartridge Torque Requirements | 30 ft-lbs (40.6 Nm) |
| Coil Torque Nut Requirements | 4-6 ft-lbs (5.4-8.1 Nm) |

DIMENSIONS



WARNING: the specifications/application data shown in our catalogs and data sheets are intended only as a general guide for the product described (herein). Any specific application should not be undertaken without independent study, evaluation, and testing for suitability.



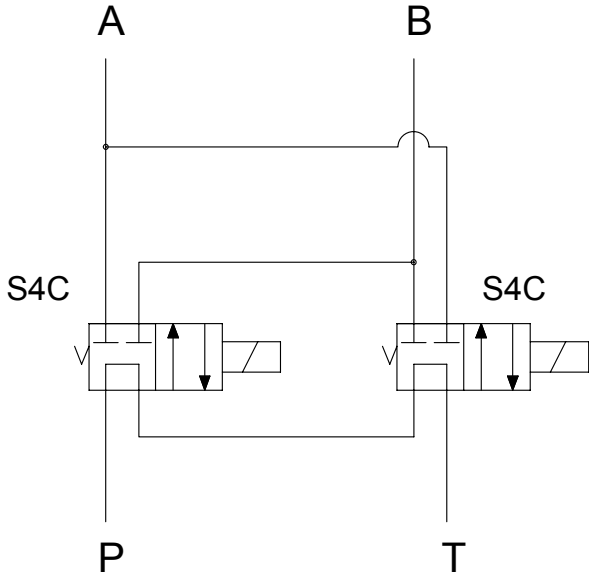
4484 Boeing Drive Rockford, IL 61109 • USA • Phone +1 (815) 397-6628 • Fax +1 (815) 397-2526
 mail: delta@delta-power.com • www.delta-power.com



Via Malavolti, 36 • 41122 Modena • ITALY • Phone +39 (059) 254895 • Fax +39 (059) 253512
 mail: tecnord@tecnord.com • www.tecnord.com

TYPICAL SCHEMATIC

4W 3P TANDEM CENTER



CIRCUIT JA

ORDERING INFORMATION

Approximate Coil Weight: .74 lbs (.33 kg)

| CIRCUITS | OPTIONS | VOLTAGE |
|----------|---|---|
| JA | Buna Standard 00 Viton Standard V0 Manual Override 0M | 06 6 VDC 12 12 VDC 24 24 VDC 36 36 VDC 48 48 VDC 25 25 VAC 11 120 VAC 22 220 VAC 44 440 VAC |

"D" COIL TERMINATION
(All DC Except as Noted)

- DL Double Lead
- DT Deutsch on Leads DT04-2P
- ML Metri-Pack on Leads
- PL Packard on Leads
- WL Weatherpack on Leads

- SS Single Spade
- DS Double Spade
- HC DIN 43650 (Hirschmann) - (AC&DC)
- CL Conduit Lead - (AC Only)
- DI Deutsch - Integral DT04-2P

IMMERSION PROOF "D" TYPE

- IA "I" Coil AMP Superseal - Integral
- ID "I" Coil Deutsch - Integral DT04-2P
- IJ "I" Coil AMP Jr. Timer - Integral
- IM "I" Coil Metri-Pack - Integral

W7 / 2017

WARNING: the specifications/application data shown in our catalogs and data sheets are intended only as a general guide for the product described (herein). Any specific application should not be undertaken without independent study, evaluation, and testing for suitability.



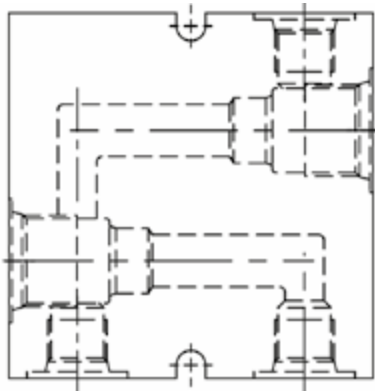
4484 Boeing Drive Rockford, IL 61109 • USA • Phone +1 (815) 397-6628 • Fax +1 (815) 397-2526
mail: delta@delta-power.com • www.delta-power.com



Via Malavolti, 36 • 41122 Modena • ITALY • Phone +39 (059) 254895 • Fax +39 (059) 253512
mail: tecnord@tecnord.com • www.tecnord.com

PRE-ENGINEERED CIRCUIT, OPTION MODEL K*

BASE BODY - 20200011 = #6 SAE



BODY WEIGHT: 1.50 lbs (.68 kg)

DESCRIPTION

Pre-engineered circuit, option model K*.

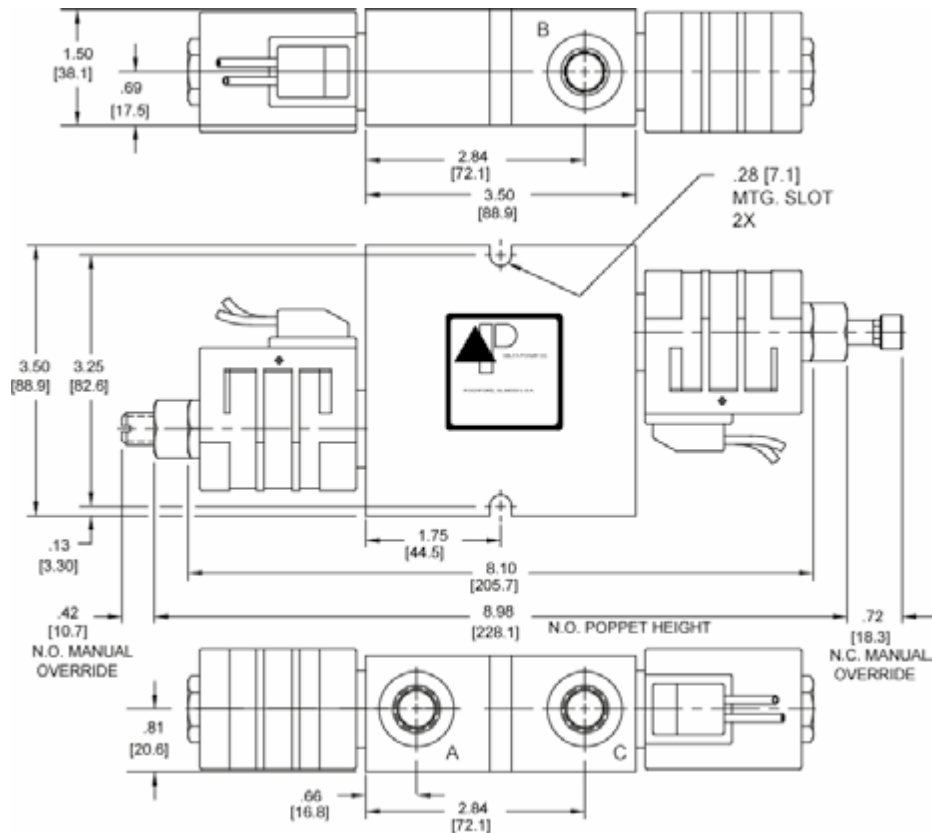
OPERATION

See options chart for specific operation.

VALVE SPECIFICATIONS

| | |
|-------------------------------|-----------------------------------|
| Nominal Flow | See Options Chart for Flow Range |
| Rated Operating Pressure | See Options Chart for Pres. Range |
| Viscosity Range | 36 to 3000 SSU (3 to 647 cSt) |
| Filtration | 30 micron nominal |
| Media Operating Temp. Range | -40° to 250°F (-40° to 120°C) |
| Operating Fluid Media | General Purpose Hydraulic Fluid |
| Cartridge Size | Delta Series 7/8-14 Thread |
| Cartridge Torque Requirements | 30 ft-lbs (40.6 Nm) |
| Coil Torque Nut Requirements | 4-6 ft-lbs (5.4-8.1 Nm) |

DIMENSIONS



WARNING: the specifications/application data shown in our catalogs and data sheets are intended only as a general guide for the product described (herein). Any specific application should not be undertaken without independent study, evaluation, and testing for suitability.

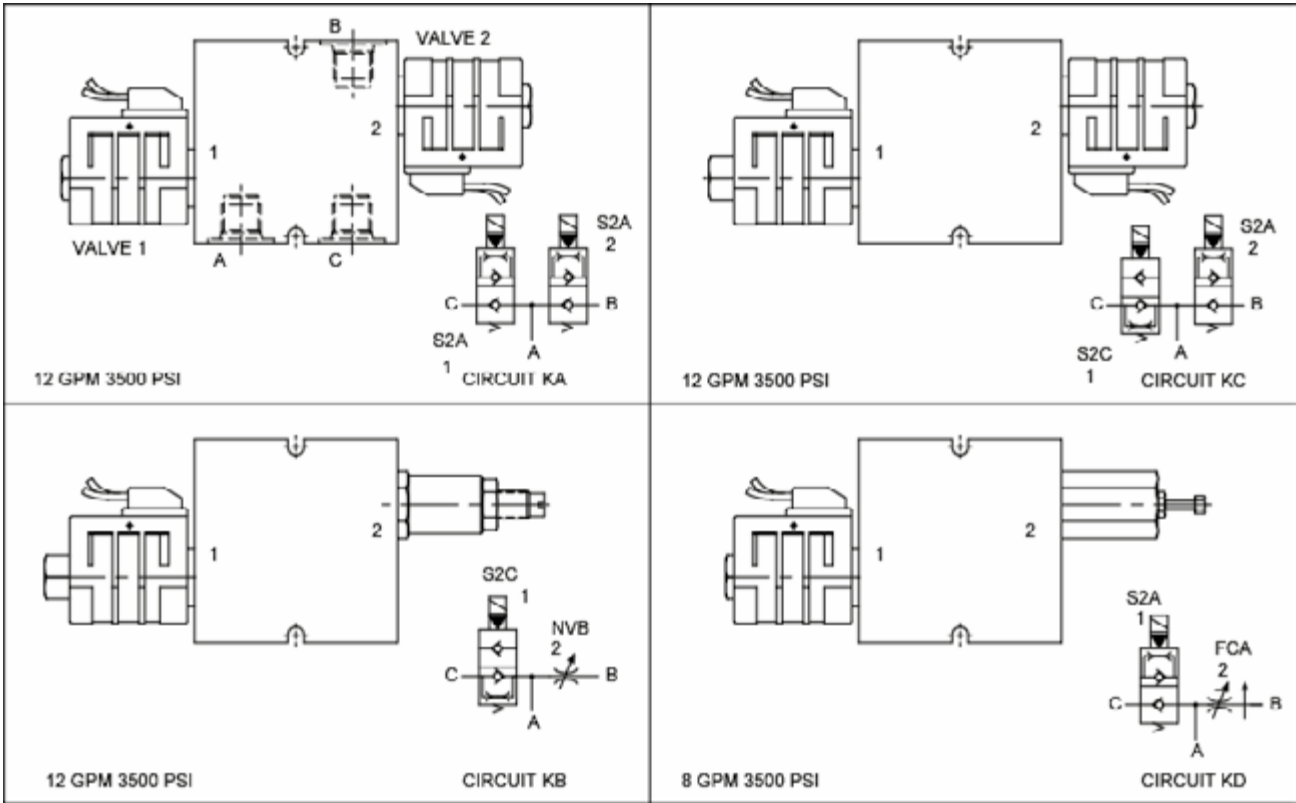


4484 Boeing Drive Rockford, IL 61109 • USA • Phone +1 (815) 397-6628 • Fax +1 (815) 397-2526
 mail: delta@delta-power.com • www.delta-power.com



Via Malavolti, 36 • 41122 Modena • ITALY • Phone +39 (059) 254895 • Fax +39 (059) 253512
 mail: tecnord@tecnord.com • www.tecnord.com

OPTIONS CHART



ORDERING INFORMATION

Approximate Coil Weight: .74 lbs (.33 kg)

| | | | | |
|-----------------|--------------------|----------------|---------------------|---------------------|
| CIRCUITS | OPTIONS | VOLTAGE | VALVE 2 | |
| | | | FLOW | PRESSURE |
| KA | Buna Standard 00 | 06 6 VDC | 01 .5-1 GPM | 02 20-500 PSI |
| KB | Viton Standard V0 | 12 12 VDC | 02 1-2 GPM | 15 200-1500 PSI |
| KC | Manual Override 0M | 24 24 VDC | 04 2-4 GPM | 30 1500-3000 PSI |
| KD | | 36 36 VDC | 08 4-8 GPM | 40 2500-4000 PSI |
| KE | | 48 48 VDC | FLOW CONTROL | |
| | | 25 25 VAC | | RELIEF VALVE |
| | | 11 120 VAC | VALVE 1 | |
| | | 22 220 VAC | FLOW | PRESSURE |
| | | 44 440 VAC | 01 .5-1 GPM | 02 20-500 PSI |
| | | | 02 1-2 GPM | 15 200-1500 PSI |
| | | | 04 2-4 GPM | 30 1500-3000 PSI |
| | | | 08 4-8 GPM | 40 2500-4000 PSI |
| | | | FLOW CONTROL | |
| | | | RELIEF VALVE | |

"D" COIL TERMINATION
(All DC Except as Noted)

- DL Double Lead
 - DT Deutsch on Leads DT04-2P
 - ML Metri-Pack on Leads
 - PL Packard on Leads
 - WL Weatherpack on Leads
 - SS Single Spade
 - DS Double Spade
 - HC DIN 43650 (Hirschmann) - (AC&DC)
 - CL Conduit Lead - (AC Only)
 - DI Deutsch - Integral DT04-2P
- IMMERSION PROOF "D" TYPE**
- IA "I" Coil AMP Superseal - Integral
 - ID "I" Coil Deutsch - Integral DT04-2P
 - IJ "I" Coil AMP Jr. Timer - Integral
 - IM "I" Coil Metri-Pack - Integral

FOR SPECIAL PRESET VALUES ON VALVES, CONSULT FACTORY

W7 / 2017

WARNING: the specifications/application data shown in our catalogs and data sheets are intended only as a general guide for the product described (herein). Any specific application should not be undertaken without independent study, evaluation, and testing for suitability.



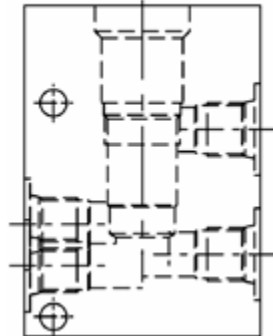
4484 Boeing Drive Rockford, IL 61109 • USA • Phone +1 (815) 397-6628 • Fax +1 (815) 397-2526
mail: delta@delta-power.com • www.delta-power.com



Via Malavolti, 36 • 41122 Modena • ITALY • Phone +39 (059) 254895 • Fax +39 (059) 253512
mail: tecnord@tecnord.com • www.tecnord.com

PRE-ENGINEERED CIRCUIT, OPTION MODEL L*

BASE BODY - 20200012 = #6 SAE



BODY WEIGHT: 1.80 lbs (.82 kg)

DESCRIPTION

Pre-engineered circuit, option model L*.

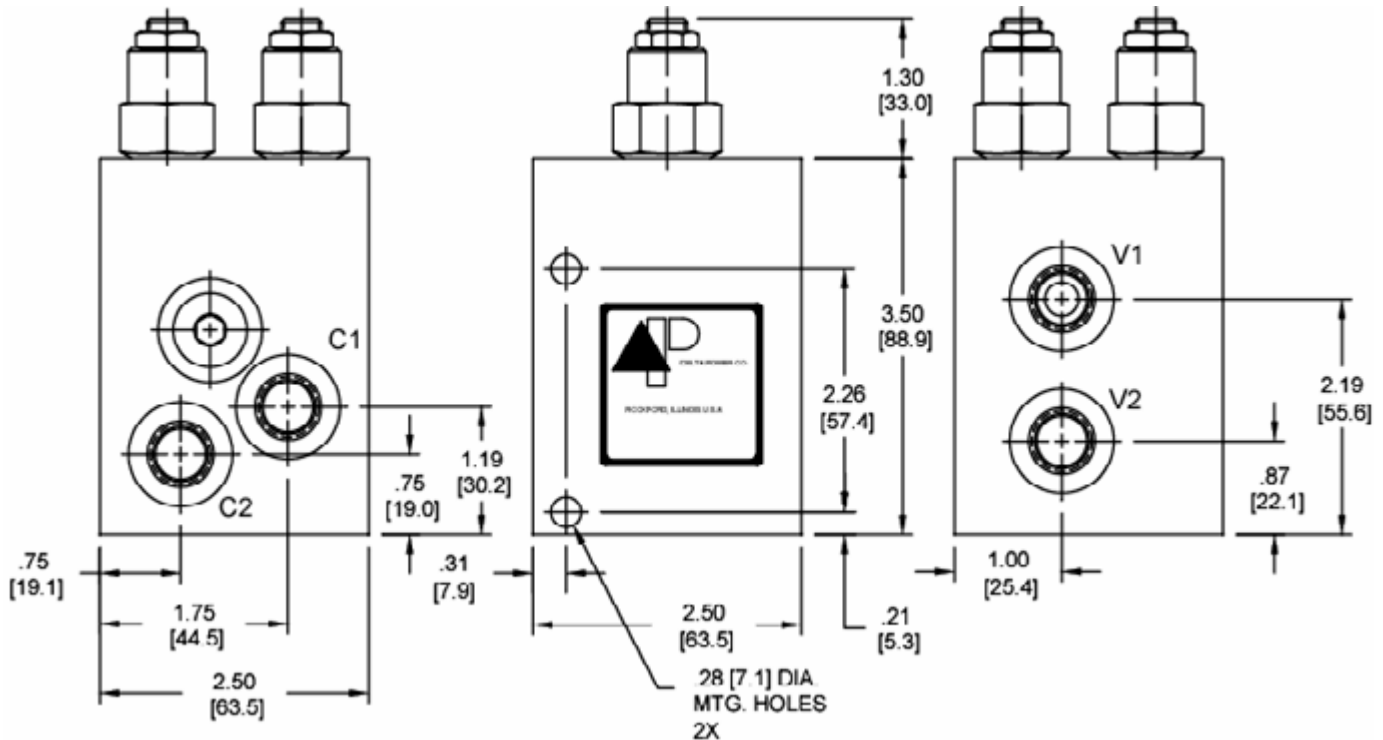
OPERATION

See typical schematic for specific operation.

VALVE SPECIFICATIONS

| | |
|-------------------------------|-----------------------------------|
| Nominal Flow | 15 GPM (60 LPM) |
| Rated Operating Pressure | See Options Chart for Pres. Range |
| Viscosity Range | 36 to 3000 SSU (3 to 647 cSt) |
| Filtration | 30 micron nominal |
| Media Operating Temp. Range | -40° to 250°F (-40° to 120°C) |
| Operating Fluid Media | General Purpose Hydraulic Fluid |
| Cartridge Size | Special Series M20X1.5-H6 |
| | Thread |
| Cartridge Torque Requirements | 30 ft-lbs (40.6 Nm) |

DIMENSIONS



WARNING: the specifications/application data shown in our catalogs and data sheets are intended only as a general guide for the product described (herein). Any specific application should not be undertaken without independent study, evaluation, and testing for suitability.

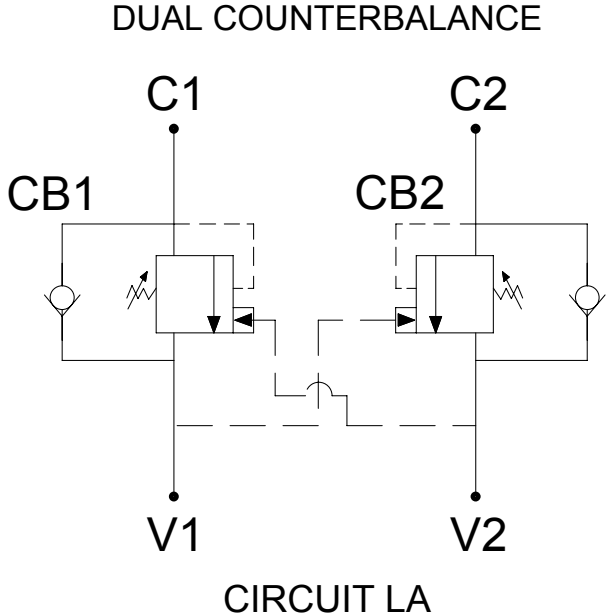


4484 Boeing Drive Rockford, IL 61109 • USA • Phone +1 (815) 397-6628 • Fax +1 (815) 397-2526
 mail: delta@delta-power.com • www.delta-power.com



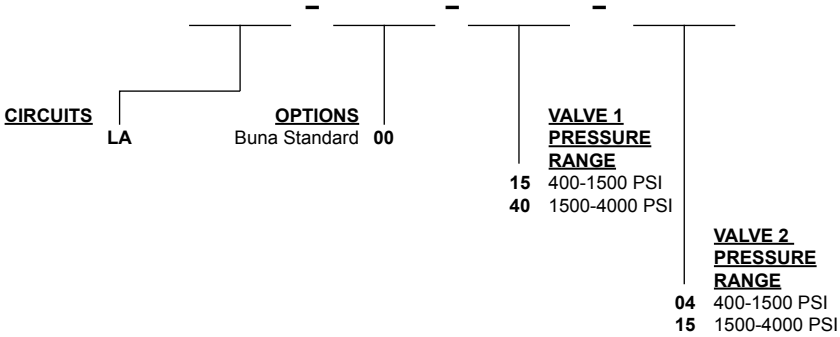
Via Malavolti, 36 • 41122 Modena • ITALY • Phone +39 (059) 254895 • Fax +39 (059) 253512
 mail: tecnord@tecnord.com • www.tecnord.com

TYPICAL SCHEMATIC



ORDERING INFORMATION

Approximate Coil Weight: .74 lbs (.33 kg)



Note: Aluminum Bodies are NOT durability rated for 4000 PSI (276 bar). Consult factory for body options.

FOR SPECIAL PRESET VALUES ON VALVES, CONSULT FACTORY

W7 / 2017

WARNING: the specifications/application data shown in our catalogs and data sheets are intended only as a general guide for the product described (herein). Any specific application should not be undertaken without independent study, evaluation, and testing for suitability.



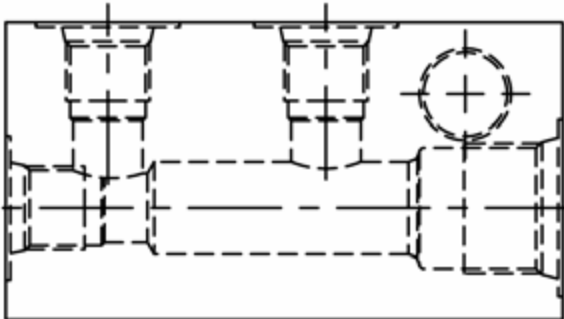
4484 Boeing Drive Rockford, IL 61109 • USA • Phone +1 (815) 397-6628 • Fax +1 (815) 397-2526
mail: delta@delta-power.com • www.delta-power.com



Via Malavolti, 36 • 41122 Modena • ITALY • Phone +39 (059) 254895 • Fax +39 (059) 253512
mail: tecnord@tecnord.com • www.tecnord.com

PRE-ENGINEERED CIRCUIT, OPTION MODEL M*

BASE BODY - 20200013 = #6 SAE



BODY WEIGHT: 1.09 lbs (.49 kg)

DESCRIPTION

Pre-engineered circuit, option model M*.

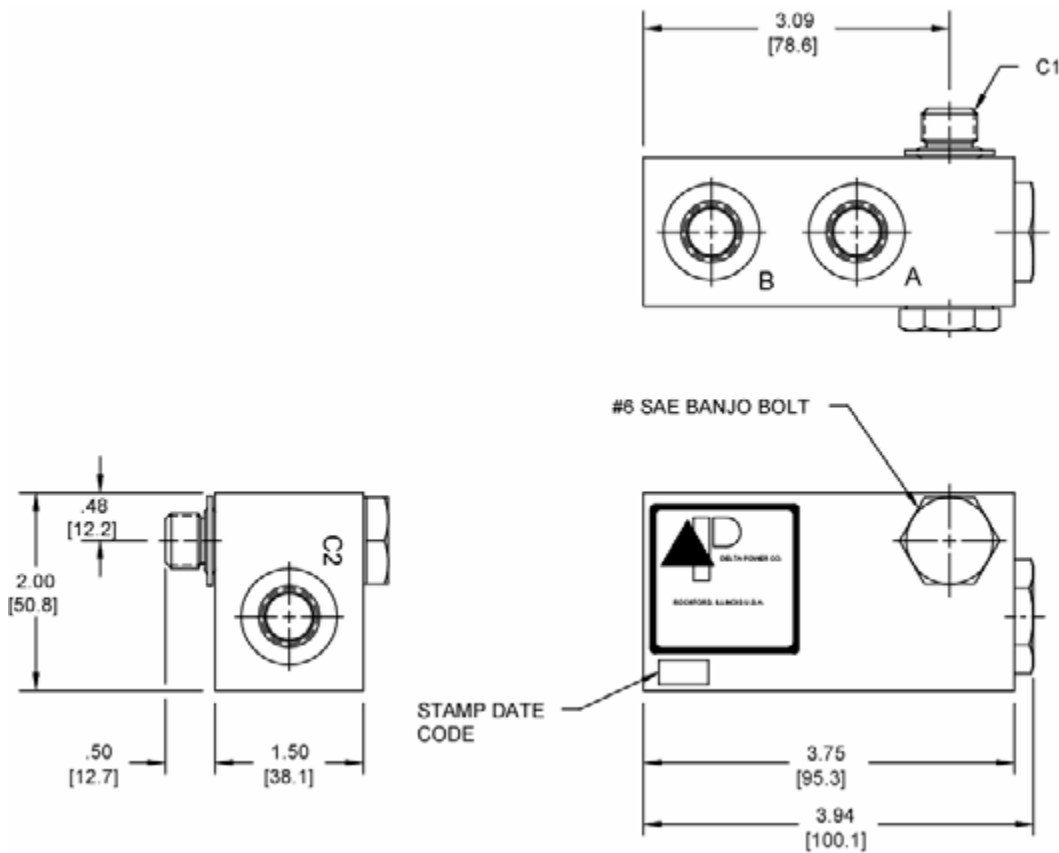
OPERATION

See typical schematic for specific operation.

VALVE SPECIFICATIONS

| | |
|-------------------------------|---------------------------------|
| Nominal Flow | 12 GPM (45 LPM) |
| Rated Operating Pressure | 3500 PSI (241 bar) |
| Viscosity Range | 36 to 3000 SSU (3 to 647 cSt) |
| Filtration | 30 micron nominal |
| Media Operating Temp. Range | -40° to 250°F (-40° to 120°C) |
| Operating Fluid Media | General Purpose Hydraulic Fluid |
| Ratio | 4:1 |
| Cartridge Size | M20 X 1.5 |
| Cartridge Torque Requirements | 30 ft-lbs (40.6 Nm) |

DIMENSIONS



WARNING: the specifications/application data shown in our catalogs and data sheets are intended only as a general guide for the product described (herein). Any specific application should not be undertaken without independent study, evaluation, and testing for suitability.



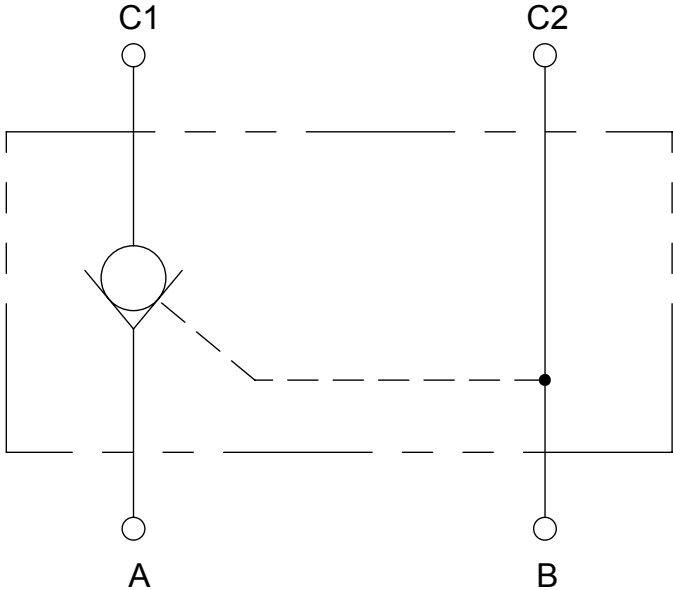
4484 Boeing Drive Rockford, IL 61109 • USA • Phone +1 (815) 397-6628 • Fax +1 (815) 397-2526
 mail: delta@delta-power.com • www.delta-power.com



Via Malavolti, 36 • 41122 Modena • ITALY • Phone +39 (059) 254895 • Fax +39 (059) 253512
 mail: tecnord@tecnord.com • www.tecnord.com

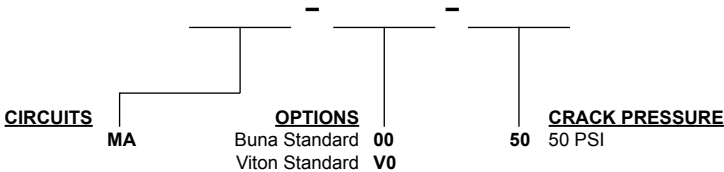
TYPICAL SCHEMATIC

P.O. CHECK CIRCUIT
4:1 RATIO



CIRCUIT MA

ORDERING INFORMATION



W7 / 2017

WARNING: the specifications/application data shown in our catalogs and data sheets are intended only as a general guide for the product described (herein). Any specific application should not be undertaken without independent study, evaluation, and testing for suitability.



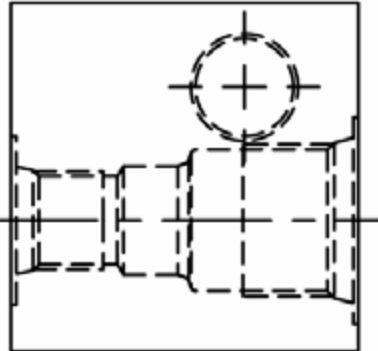
4484 Boeing Drive Rockford, IL 61109 • USA • Phone +1 (815) 397-6628 • Fax +1 (815) 397-2526
mail: delta@delta-power.com • www.delta-power.com



Via Malavolti, 36 • 41122 Modena • ITALY • Phone +39 (059) 254895 • Fax +39 (059) 253512
mail: tecnord@tecnord.com • www.tecnord.com

PRE-ENGINEERED CIRCUIT, OPTION MODEL N*

BASE BODY - 20200014 = #6 SAE



BODY WEIGHT: 1.09 lbs (.49 kg)

DESCRIPTION

Pre-engineered circuit, option model N*.

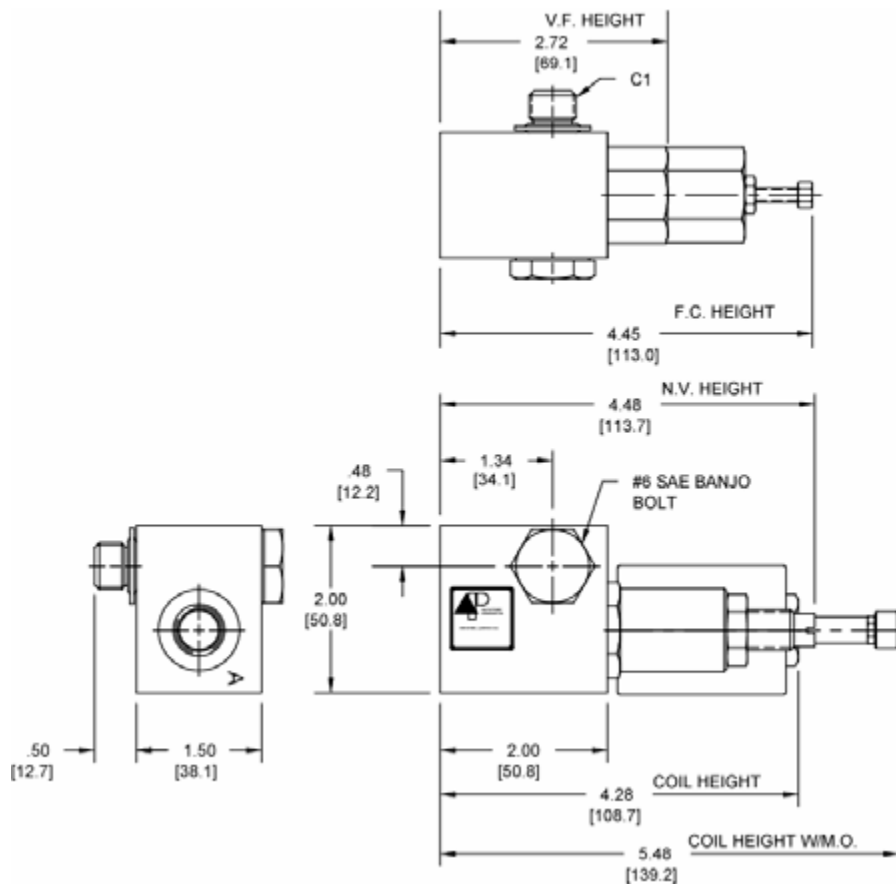
OPERATION

See options chart for specific operation.

VALVE SPECIFICATIONS

| | |
|-------------------------------|-----------------------------------|
| Nominal Flow | See Options Chart for Flow Range |
| Rated Operating Pressure | See Options Chart for Pres. Range |
| Viscosity Range | 36 to 3000 SSU (3 to 647 cSt) |
| Filtration | 30 micron nominal |
| Media Operating Temp. Range | -40° to 250°F (-40° to 120°C) |
| Operating Fluid Media | General Purpose Hydraulic Fluid |
| Cartridge Size | Delta Series 7/8-14 Thread |
| Cartridge Torque Requirements | 30 ft-lbs (40.6 Nm) |
| Coil Torque Nut Requirements | 4-6 ft-lbs (5.4-8.1 Nm) |

DIMENSIONS



WARNING: the specifications/application data shown in our catalogs and data sheets are intended only as a general guide for the product described (herein). Any specific application should not be undertaken without independent study, evaluation, and testing for suitability.

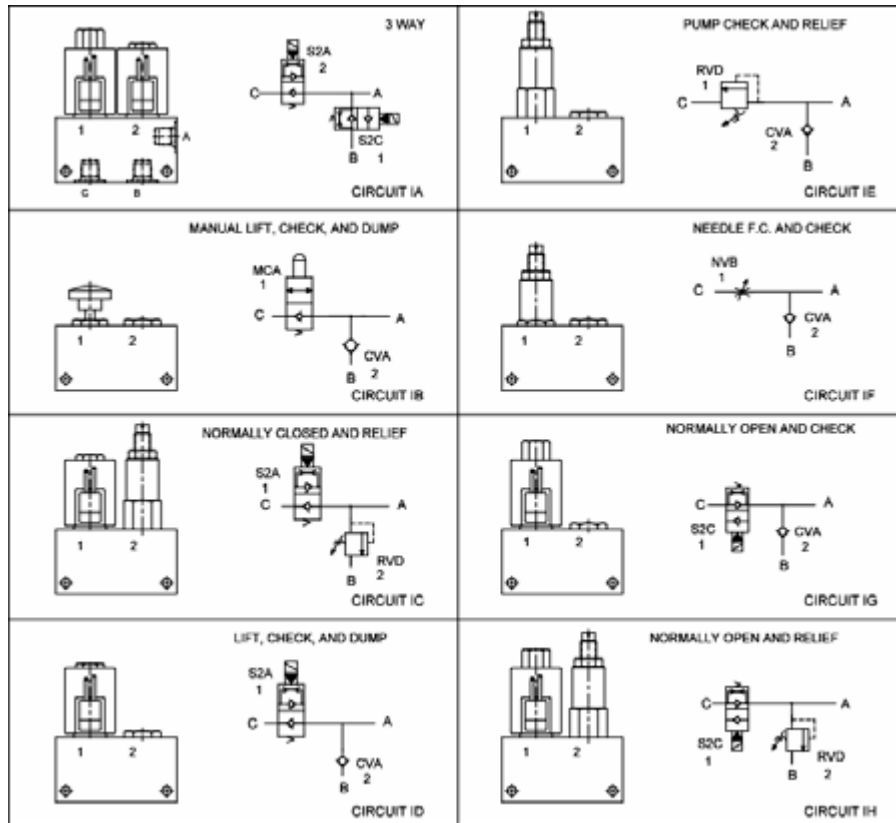


4484 Boeing Drive Rockford, IL 61109 • USA • Phone +1 (815) 397-6628 • Fax +1 (815) 397-2526
 mail: delta@delta-power.com • www.delta-power.com



Via Malavolti, 36 • 41122 Modena • ITALY • Phone +39 (059) 254895 • Fax +39 (059) 253512
 mail: tecnord@tecnord.com • www.tecnord.com

OPTIONS CHART



ORDERING INFORMATION

Approximate Coil Weight: .74 lbs (.33 kg)

| CIRCUITS | OPTIONS | VOLTAGE | VALVE 1 | FLOW | PRESSURE |
|----------|--------------------|------------|-----------|------------------|----------|
| NA | Buna Standard 00 | 06 6 VDC | 01 1 GPM | 02 20-500 PSI | |
| NB | Viton Standard V0 | 12 12 VDC | 02 2 GPM | 15 200-1500 PSI | |
| NC | Manual Override OM | 24 24 VDC | 03 3 GPM | 30 1500-3000 PSI | |
| ND | | 36 36 VDC | 04 4 GPM | 40 2500-4000 PSI | |
| NE | | 48 48 VDC | 05 5 GPM | RELIEF VALVE | |
| | | 25 25 VAC | 06 6 GPM | | |
| | | 11 120 VAC | 07 7 GPM | | |
| | | 22 220 VAC | 08 8 GPM | | |
| | | 44 440 VAC | 09 9 GPM | | |
| | | | 10 10 GPM | | |

FOR SPECIAL PRESET VALUES ON VALVES, CONSULT FACTORY

"D" COIL TERMINATION
(All DC Except as Noted)

- | | |
|-----------------------------|-------------------------------------|
| DL Double Lead | SS Single Spade |
| DT Deutsch on Leads DT04-2P | DS Double Spade |
| ML Metri-Pack on Leads | HC DIN 43650 (Hirschmann) - (AC&DC) |
| PL Packard on Leads | CL Conduit Lead - (AC Only) |
| WL Weatherpack on Leads | DI Deutsch - Integral DT04-2P |

IMMERSION PROOF "D" TYPE

- IA "I" Coil AMP Superseal - Integral
- ID "I" Coil Deutsch - Integral DT04-2P
- IJ "I" Coil AMP Jr. Timer - Integral
- IM "I" Coil Metri-Pack - Integral

W7 / 2017

WARNING: the specifications/application data shown in our catalogs and data sheets are intended only as a general guide for the product described (herein). Any specific application should not be undertaken without independent study, evaluation, and testing for suitability.



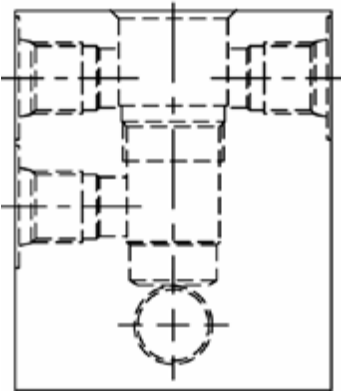
4484 Boeing Drive Rockford, IL 61109 • USA • Phone +1 (815) 397-6628 • Fax +1 (815) 397-2526
mail: delta@delta-power.com • www.delta-power.com



Via Malavolti, 36 • 41122 Modena • ITALY • Phone +39 (059) 254895 • Fax +39 (059) 253512
mail: tecnord@tecnord.com • www.tecnord.com

PRE-ENGINEERED CIRCUIT, OPTION MODEL O*

BASE BODY - 20200015 = #6 SAE



BODY WEIGHT: 1.09 lbs (.49 kg)

DESCRIPTION

Pre-engineered circuit, option model O*.

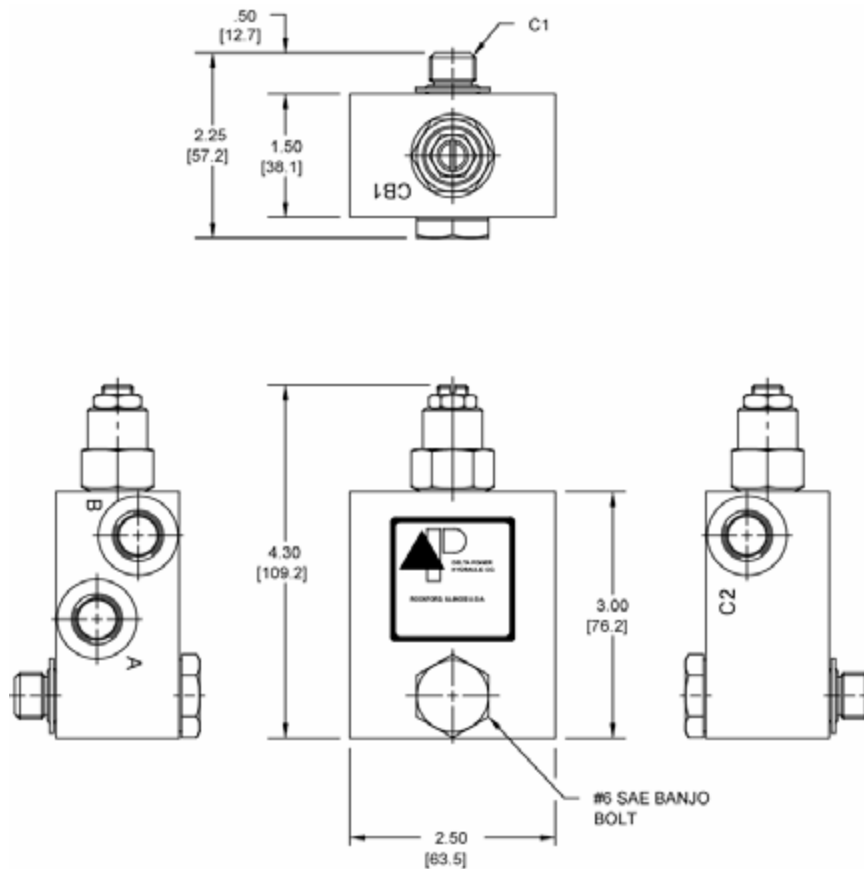
OPERATION

See options chart for specific operation.

VALVE SPECIFICATIONS

| | |
|-------------------------------|---------------------------------|
| Nominal Flow | 15 GPM (57 LPM) |
| Rated Operating Pressure | 3500 PSI (241 bar) |
| Viscosity Range | 36 to 3000 SSU (3 to 647 cSt) |
| Filtration | 30 micron nominal |
| Media Operating Temp. Range | -40° to 250°F (-40° to 120°C) |
| Operating Fluid Media | General Purpose Hydraulic Fluid |
| Cartridge Size | M20 X 1.5 |
| Cartridge Torque Requirements | 30 ft-lbs (40.6 Nm) |

DIMENSIONS



WARNING: the specifications/application data shown in our catalogs and data sheets are intended only as a general guide for the product described (herein). Any specific application should not be undertaken without independent study, evaluation, and testing for suitability.



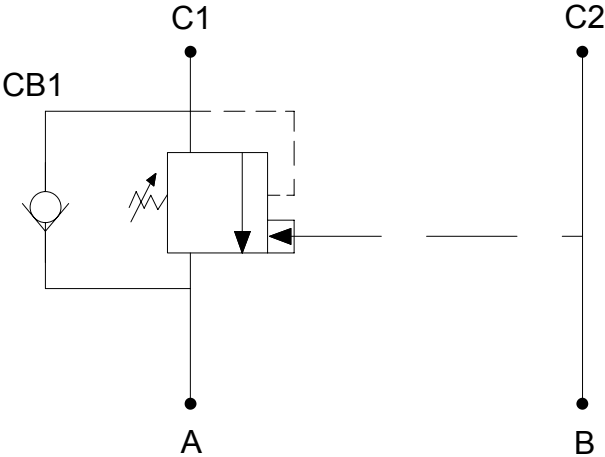
4484 Boeing Drive Rockford, IL 61109 • USA • Phone +1 (815) 397-6628 • Fax +1 (815) 397-2526
 mail: delta@delta-power.com • www.delta-power.com



Via Malavolti, 36 • 41122 Modena • ITALY • Phone +39 (059) 254895 • Fax +39 (059) 253512
 mail: tecnord@tecnord.com • www.tecnord.com

TYPICAL SCHEMATIC

COUNTERBALANCE



CIRCUIT OA

ORDERING INFORMATION

| CIRCUITS | OPTIONS | PRESSURE RANGE |
|----------|---------------------------------------|-------------------------------------|
| OA | Buna Standard 00 Viton Standard V0 | 15 400-1500 PSI 40 1500-4000 PSI |

FOR SPECIAL PRESET VALUES ON VALVES, CONSULT FACTORY

W7 / 2017

WARNING: the specifications/application data shown in our catalogs and data sheets are intended only as a general guide for the product described (herein). Any specific application should not be undertaken without independent study, evaluation, and testing for suitability.



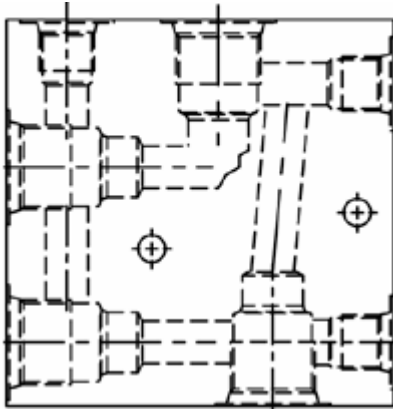
4484 Boeing Drive Rockford, IL 61109 • USA • Phone +1 (815) 397-6628 • Fax +1 (815) 397-2526
 mail: delta@delta-power.com • www.delta-power.com



Via Malavolti, 36 • 41122 Modena • ITALY • Phone +39 (059) 254895 • Fax +39 (059) 253512
 mail: tecnord@tecnord.com • www.tecnord.com

PRE-ENGINEERED CIRCUIT, OPTION MODEL P*

BASE BODY - 20200017 = #6 SAE



BODY WEIGHT: 1.5 lbs (.68 kg)

DESCRIPTION

Pre-engineered circuit, option model P*.

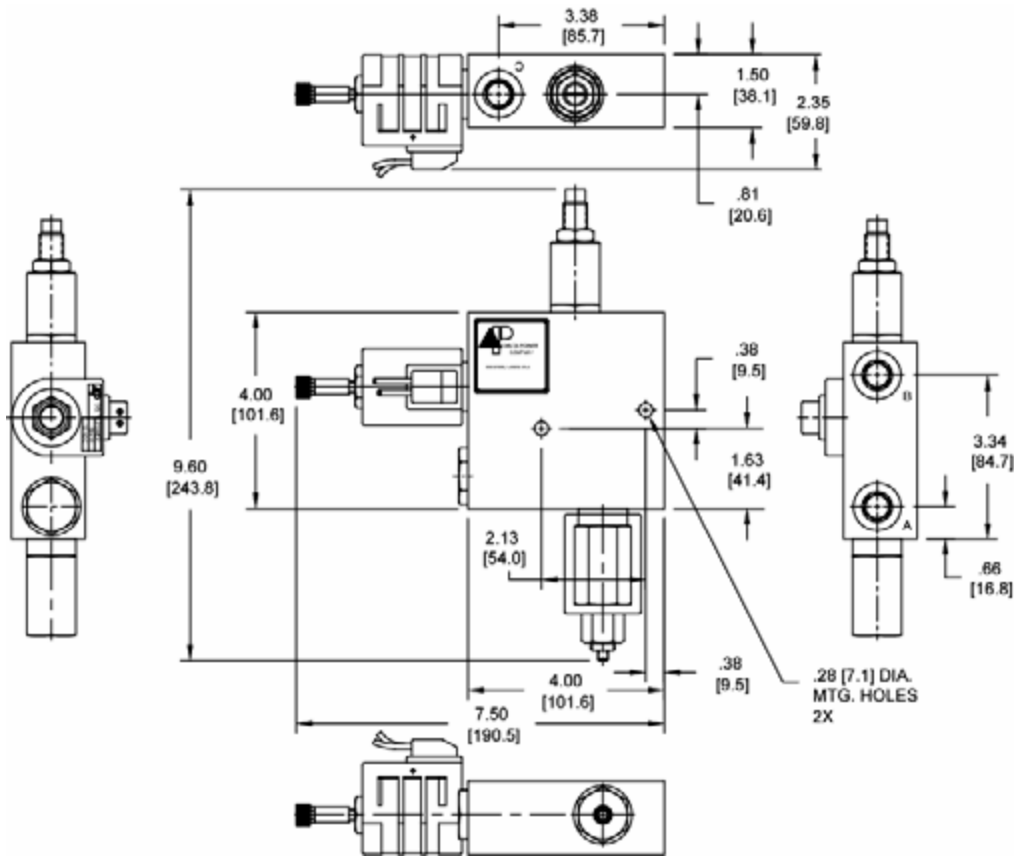
OPERATION

See options chart for specific operation (back).

VALVE SPECIFICATIONS

| | |
|-------------------------------|-----------------------------------|
| Nominal Flow | See Options Chart for Flow Range |
| Rated Operating Pressure | See Options Chart for Pres. Range |
| Viscosity Range | 36 to 3000 SSU (3 to 647 cSt) |
| Filtration | 30 micron nominal |
| Media Operating Temp. Range | -40° to 250°F (-40° to 120°C) |
| Operating Fluid Media | General Purpose Hydraulic Fluid |
| Cartridge Size | Delta Series 7/8-14 Thread |
| Cartridge Torque Requirements | 30 ft-lbs (40.6 Nm) |
| Coil Torque Nut Requirements | 4-6 ft-lbs (5.4-8.1 Nm) |

DIMENSIONS



WARNING: the specifications/application data shown in our catalogs and data sheets are intended only as a general guide for the product described (herein). Any specific application should not be undertaken without independent study, evaluation, and testing for suitability.

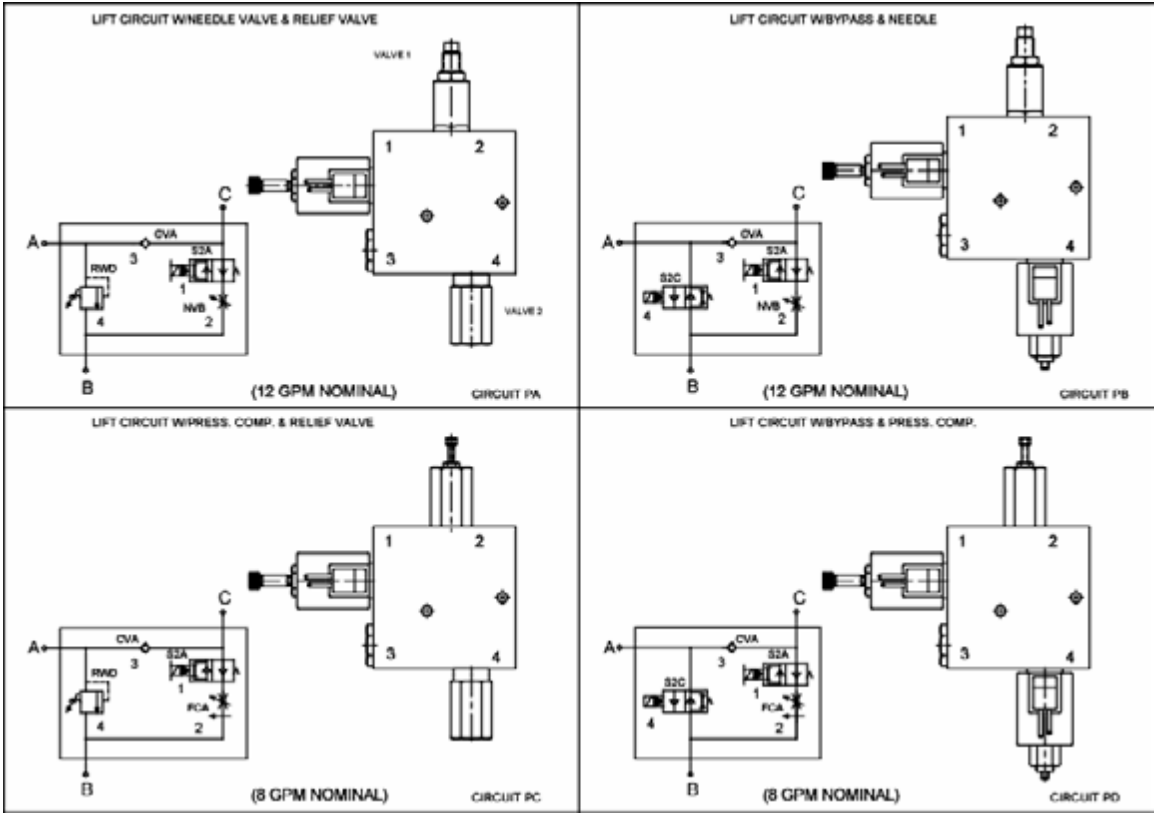


4484 Boeing Drive Rockford, IL 61109 • USA • Phone +1 (815) 397-6628 • Fax +1 (815) 397-2526
 mail: delta@delta-power.com • www.delta-power.com



Via Malavolti, 36 • 41122 Modena • ITALY • Phone +39 (059) 254895 • Fax +39 (059) 253512
 mail: tecnord@tecnord.com • www.tecnord.com

OPTIONS CHART



ORDERING INFORMATION

Approximate Coil Weight: .74 lbs (.33 kg)

| | | | | | | | | | | | | | |
|-----------------|----|-----------------|----|----------------|---------|---------------------|----------------|-------------|---------------|-----------------|-----------------|--------------|------------|
| CIRCUITS | PA | Buna Standard | 00 | VOLTAGE | 06 | 6 VDC | VALVE 2 | FLOW | 01 | .5-1 GPM | PRESSURE | 02 | 20-500 PSI |
| | PB | Viton Standard | V0 | | 12 | 12 VDC | | 02 | 1-2 GPM | 15 | | 200-1500 PSI | |
| | PC | Manual Override | 0M | 24 | 24 VDC | 04 | 2-4 GPM | 30 | 1500-3000 PSI | | | | |
| | PD | | | 36 | 36 VDC | 08 | 4-8 GPM | 40 | 2500-4000 PSI | | | | |
| | | | | 48 | 48 VDC | FLOW CONTROL | | | | | | | |
| | | | | 25 | 25 VAC | VALVE 1 | FLOW | 01 | .5-1 GPM | PRESSURE | 07 | 100-700 PSI | |
| | | | | 11 | 120 VAC | | 02 | 1-2 GPM | 30 | | 100-3000 PSI | | |
| | | | | 22 | 220 VAC | 04 | 2-4 GPM | 40 | 3000-4000 PSI | | | | |
| | | | | 44 | 440 VAC | 08 | 4-8 GPM | | | | | | |
| | | | | | | FLOW CONTROL | | | | | | | |

"D" COIL TERMINATION
(All DC Except as Noted)

- DL Double Lead
- DT Deutsch on Leads DT04-2P
- ML Metri-Pack on Leads
- PL Packard on Leads
- WL Weatherpack on Leads
- SS Single Spade
- DS Double Spade
- HC DIN 43650 (Hirschmann) - (AC&DC)
- CL Conduit Lead - (AC Only)
- DI Deutsch - Integral DT04-2P

IMMERSION PROOF "D" TYPE

- IA "I" Coil AMP Superseal - Integral
- ID "I" Coil Deutsch - Integral DT04-2P
- IJ "I" Coil AMP Jr. Timer - Integral
- IM "I" Coil Metri-Pack - Integral

FOR SPECIAL PRESET VALUES ON VALVES, CONSULT FACTORY

W7/2017

WARNING: the specifications/application data shown in our catalogs and data sheets are intended only as a general guide for the product described (herein). Any specific application should not be undertaken without independent study, evaluation, and testing for suitability.



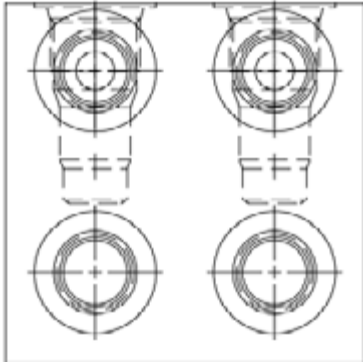
4484 Boeing Drive Rockford, IL 61109 • USA • Phone +1 (815) 397-6628 • Fax +1 (815) 397-2526
mail: delta@delta-power.com • www.delta-power.com



Via Malavolti, 36 • 41122 Modena • ITALY • Phone +39 (059) 254895 • Fax +39 (059) 253512
mail: tecnord@tecnord.com • www.tecnord.com

PRE-ENGINEERED CIRCUIT, OPTION MODEL Q*

BASE BODY - 20200018 = #8 SAE



BODY WEIGHT: 1.50 lbs (.68 kg)

DESCRIPTION

Pre-engineered circuit, option model Q*.

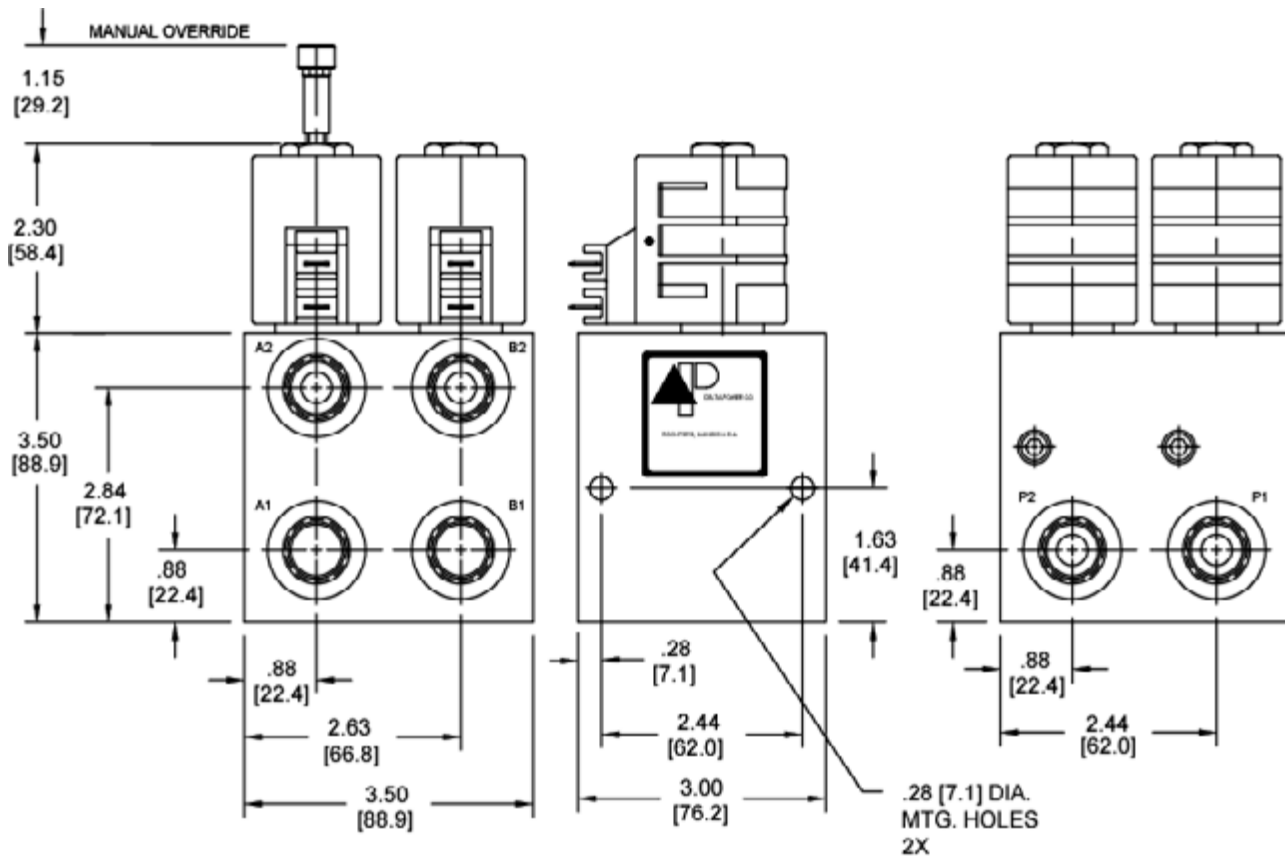
OPERATION

See options chart for specific operation.

VALVE SPECIFICATIONS

| | |
|-------------------------------|---------------------------------|
| Nominal Flow | 8 GPM (30 LPM) |
| Rated Operating Pressure | 400-3500 PSI (28-241 bar) |
| Viscosity Range | 36 to 3000 SSU (3 to 647 cSt) |
| Filtration | 30 micron nominal |
| Media Operating Temp. Range | -40° to 250°F (-40° to 120°C) |
| Operating Fluid Media | General Purpose Hydraulic Fluid |
| Cartridge Size | Delta Series 7/8-14 Thread |
| Cartridge Torque Requirements | 30 ft-lbs (40.6 Nm) |
| Coil Torque Nut Requirements | 4-6 ft-lbs (5.4-8.1 Nm) |

DIMENSIONS



WARNING: the specifications/application data shown in our catalogs and data sheets are intended only as a general guide for the product described (herein). Any specific application should not be undertaken without independent study, evaluation, and testing for suitability.

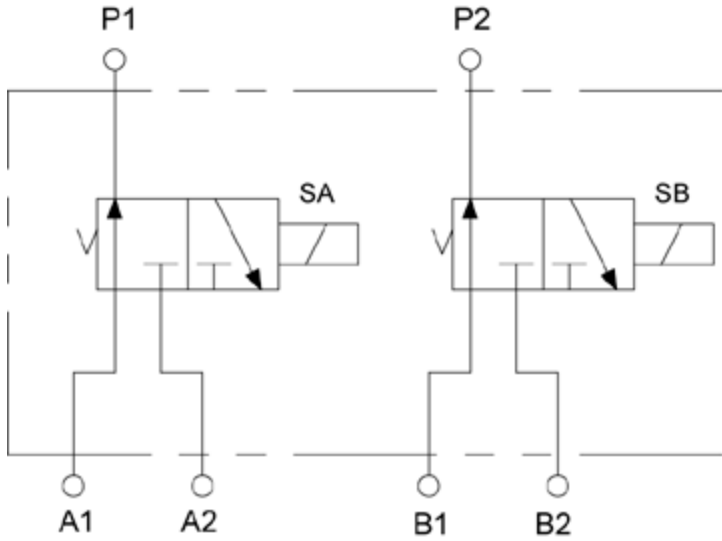


4484 Boeing Drive Rockford, IL 61109 • USA • Phone +1 (815) 397-6628 • Fax +1 (815) 397-2526
 mail: delta@delta-power.com • www.delta-power.com



Via Malavolti, 36 • 41122 Modena • ITALY • Phone +39 (059) 254895 • Fax +39 (059) 253512
 mail: tecnord@tecnord.com • www.tecnord.com

TYPICAL SCHEMATIC



CIRCUIT QA

ORDERING INFORMATION

Approximate Coil Weight: .74 lbs (.33 kg)

| CIRCUITS | OPTIONS | VOLTAGE |
|----------|---|---|
| QA | Buna Standard 00 Viton Standard V0 Manual Override 0M | 06 6 VDC 12 12 VDC 24 24 VDC 36 36 VDC 48 48 VDC 25 25 VAC 11 120 VAC 22 220 VAC 44 440 VAC |

"D" COIL TERMINATION
(All DC Except as Noted)

- DL Double Lead
- DT Deutsch on Leads DT04-2P
- ML Metri-Pack on Leads
- PL Packard on Leads
- WL Weatherpack on Leads

- SS Single Spade
- DS Double Spade
- HC DIN 43650 (Hirschmann) - (AC&DC)
- CL Conduit Lead - (AC Only)
- DI Deutsch - Integral DT04-2P

IMMERSION PROOF "D" TYPE

- IA "I" Coil AMP Superseal - Integral
- ID "I" Coil Deutsch - Integral DT04-2P
- IJ "I" Coil AMP Jr. Timer - Integral
- IM "I" Coil Metri-Pack - Integral

W7 / 2017

WARNING: the specifications/application data shown in our catalogs and data sheets are intended only as a general guide for the product described (herein). Any specific application should not be undertaken without independent study, evaluation, and testing for suitability.



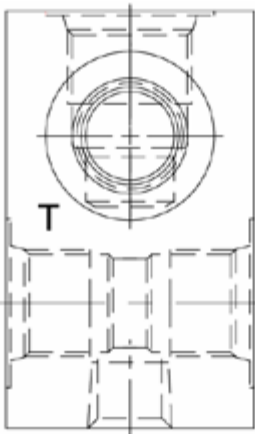
4484 Boeing Drive Rockford, IL 61109 • USA • Phone +1 (815) 397-6628 • Fax +1 (815) 397-2526
mail: delta@delta-power.com • www.delta-power.com



Via Malavolti, 36 • 41122 Modena • ITALY • Phone +39 (059) 254895 • Fax +39 (059) 253512
mail: tecnord@tecnord.com • www.tecnord.com

PRE-ENGINEERED CIRCUIT, OPTION MODEL R*

BASE BODY - 20200019 = #8 SAE



BODY WEIGHT: .66 lbs (.30 kg)

DESCRIPTION

Pre-engineered circuit, option model R*.

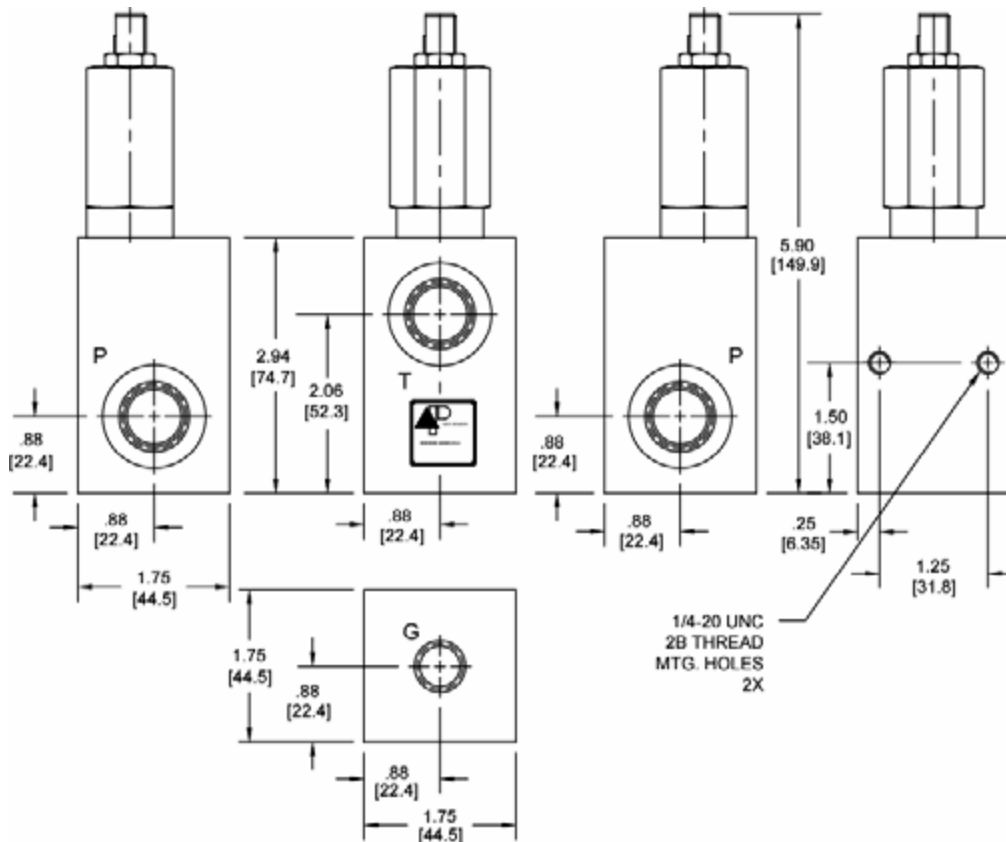
OPERATION

See typical schematic for specific operation.

VALVE SPECIFICATIONS

| | |
|-------------------------------|---------------------------------|
| Nominal Flow | 15 GPM (57 LPM) |
| Rated Operating Pressure | 4000 PSI (276 bar) |
| Viscosity Range | 36 to 3000 SSU (3 to 647 cSt) |
| Filtration | 30 micron nominal |
| Media Operating Temp. Range | -40° to 250°F (-40° to 120°C) |
| Operating Fluid Media | General Purpose Hydraulic Fluid |
| Cartridge Size | Delta Series 7/8-14 Thread |
| Cartridge Torque Requirements | 30 ft-lbs (40.6 Nm) |

DIMENSIONS



WARNING: the specifications/application data shown in our catalogs and data sheets are intended only as a general guide for the product described (herein). Any specific application should not be undertaken without independent study, evaluation, and testing for suitability.

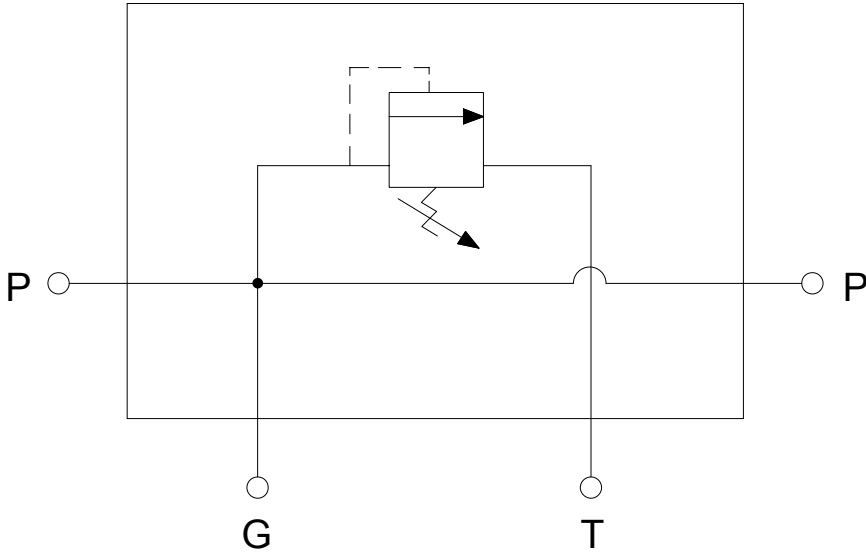


4484 Boeing Drive Rockford, IL 61109 • USA • Phone +1 (815) 397-6628 • Fax +1 (815) 397-2526
 mail: delta@delta-power.com • www.delta-power.com



Via Malavolti, 36 • 41122 Modena • ITALY • Phone +39 (059) 254895 • Fax +39 (059) 253512
 mail: tecnord@tecnord.com • www.tecnord.com

TYPICAL SCHEMATIC



CIRCUIT RA

ORDERING INFORMATION

| | | | |
|-----------------|----|-------------------|-----------------------|
| | - | - | |
| CIRCUITS | RA | OPTIONS | PRESSURE RANGE |
| | | Buna Standard 00 | 40 100-4000 PSI |
| | | Viton Standard V0 | |

FOR SPECIAL PRESET VALUES ON VALVES, CONSULT FACTORY

W7 / 2017

WARNING: the specifications/application data shown in our catalogs and data sheets are intended only as a general guide for the product described (herein). Any specific application should not be undertaken without independent study, evaluation, and testing for suitability.



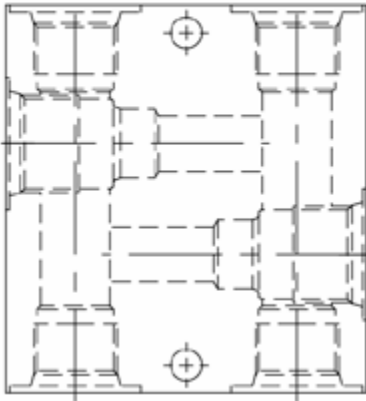
4484 Boeing Drive Rockford, IL 61109 • USA • Phone +1 (815) 397-6628 • Fax +1 (815) 397-2526
 mail: delta@delta-power.com • www.delta-power.com



Via Malavolti, 36 • 41122 Modena • ITALY • Phone +39 (059) 254895 • Fax +39 (059) 253512
 mail: tecnord@tecnord.com • www.tecnord.com

PRE-ENGINEERED CIRCUIT, OPTION MODEL S*

BASE BODY - 20200020 = #8 SAE



BODY WEIGHT: 1.2 lbs (.54 kg)

DESCRIPTION

Pre-engineered circuit, option model S*.

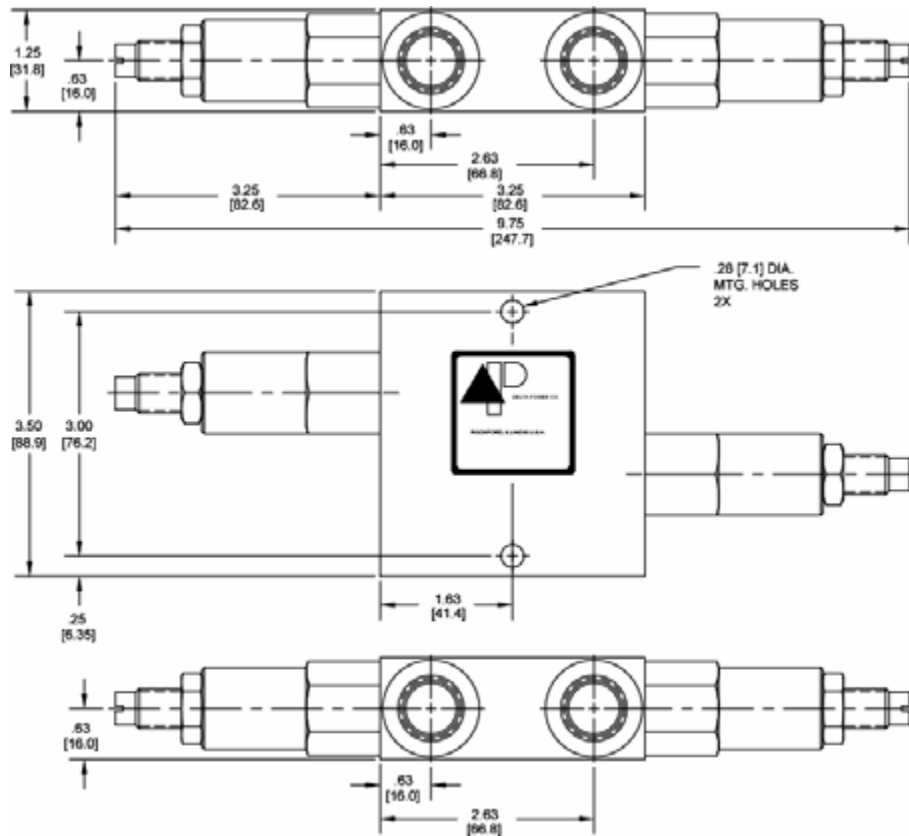
OPERATION

See options chart for specific operation.

VALVE SPECIFICATIONS

| | |
|-------------------------------|-----------------------------------|
| Nominal Flow | See Options Chart for Flow Range |
| Rated Operating Pressure | See Options Chart for Pres. Range |
| Viscosity Range | 36 to 3000 SSU (3 to 647 cSt) |
| Filtration | 30 micron nominal |
| Media Operating Temp. Range | -40° to 250°F (-40° to 120°C) |
| Operating Fluid Media | General Purpose Hydraulic Fluid |
| Cartridge Size | Delta Series 7/8-14 Thread |
| Cartridge Torque Requirements | 30 ft-lbs (40.6 Nm) |
| Coil Torque Nut Requirements | 6 ft-lbs (8.1 Nm) |

DIMENSIONS



WARNING: the specifications/application data shown in our catalogs and data sheets are intended only as a general guide for the product described (herein). Any specific application should not be undertaken without independent study, evaluation, and testing for suitability.

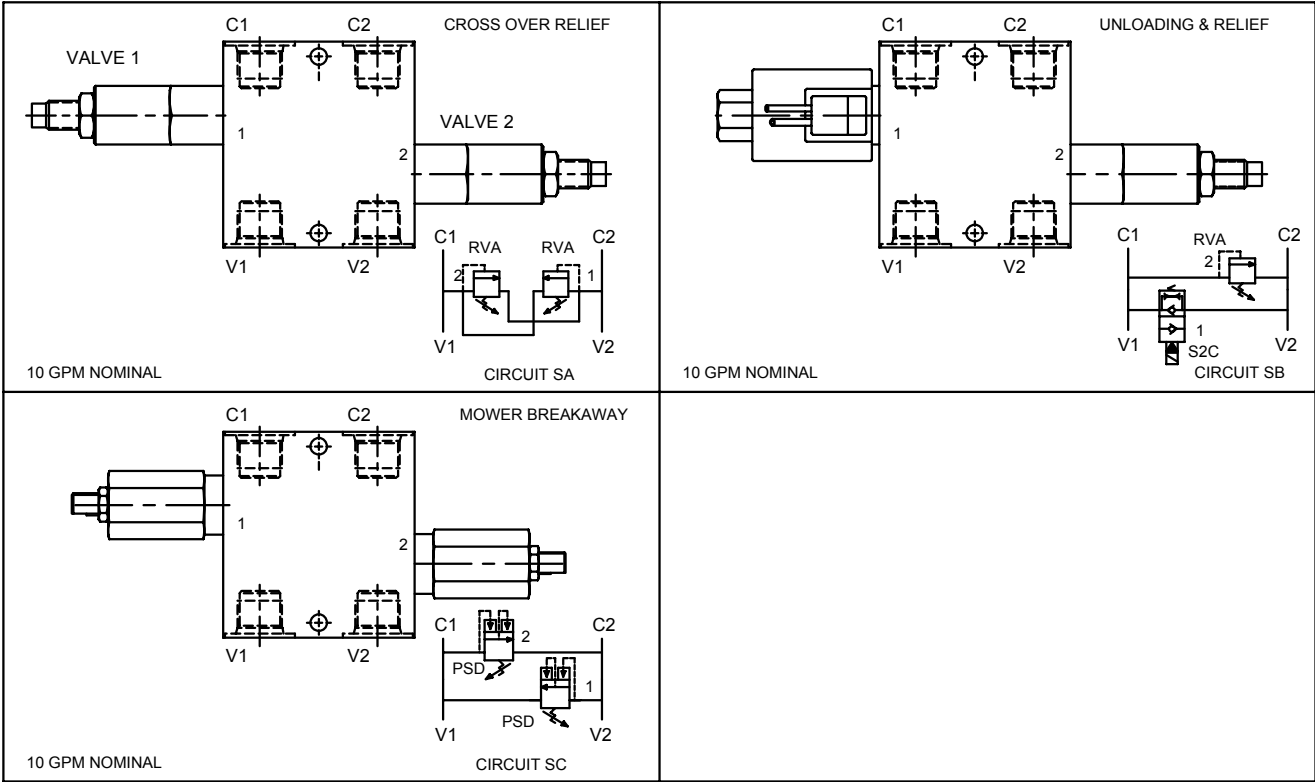


4484 Boeing Drive Rockford, IL 61109 • USA • Phone +1 (815) 397-6628 • Fax +1 (815) 397-2526
 mail: delta@delta-power.com • www.delta-power.com



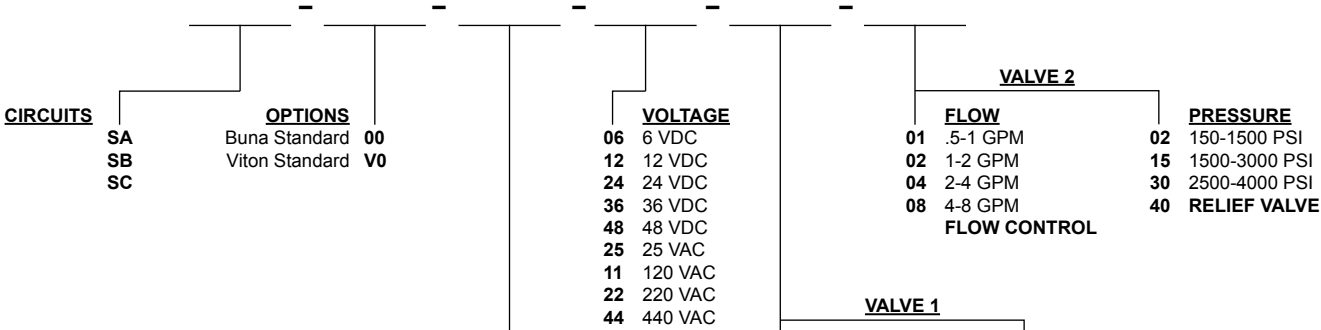
Via Malavolti, 36 • 41122 Modena • ITALY • Phone +39 (059) 254895 • Fax +39 (059) 253512
 mail: tecnord@tecnord.com • www.tecnord.com

OPTIONS CHART



ORDERING INFORMATION

Approximate Coil Weight: .74 lbs (.33 kg)



"D" COIL TERMINATION
(All DC Except as Noted)

- DL Double Lead
 - DT Deutsch on Leads DT04-2P
 - ML Metri-Pack on Leads
 - PL Packard on Leads
 - WL Weatherpack on Leads
 - SS Single Spade
 - DS Double Spade
 - HC DIN 43650 (Hirschmann) - (AC&DC)
 - CL Conduit Lead - (AC Only)
 - DI Deutsch - Integral DT04-2P
- IMMERSION PROOF "D" TYPE**
- IA "I" Coil AMP Superseal - Integral
 - ID "I" Coil Deutsch - Integral DT04-2P
 - IJ "I" Coil AMP Jr. Timer - Integral
 - IM "I" Coil Metri-Pack - Integral

FOR SPECIAL PRESET VALUES ON VALVES, CONSULT FACTORY

W7 / 2017

WARNING: the specifications/application data shown in our catalogs and data sheets are intended only as a general guide for the product described (herein). Any specific application should not be undertaken without independent study, evaluation, and testing for suitability.



4484 Boeing Drive Rockford, IL 61109 • USA • Phone +1 (815) 397-6628 • Fax +1 (815) 397-2526
mail: delta@delta-power.com • www.delta-power.com



Via Malavolti, 36 • 41122 Modena • ITALY • Phone +39 (059) 254895 • Fax +39 (059) 253512
mail: tecnord@tecnord.com • www.tecnord.com