

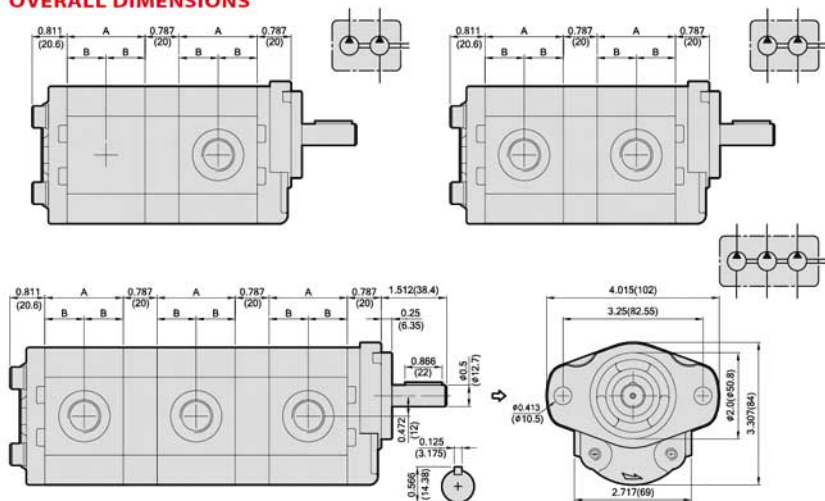


ORDERING EXAMPLE

| | | | | | | | | | |
|--------------------------------------|----------|-----------------|-------------|---|----------|--------------|----------|----------|-----------------|
| 1 | □ | G | 2 | B | U | □ | □ | □ | R |
| SERIES | TYPE | MOUNTING FLANGE | DRIVE SHAFT | INLET/OUTLET CODE | PORT | DISPLACEMENT | | | R: CW L: CCW |
| D: Double Pumps T: Multiple Pumps | | | | A: Common Inlet (Double Pump only) B: Separate Inlet | | | | | |

If you need double pumps with front pump displ. 0.37 c.i.r. , rear pump 0.25 c.i.r and rotation is cw , the model number is : **1DG2BU0604R**

OVERALL DIMENSIONS



※ Any requirement for mounting flange / drive shaft / in & out ports, please refer to 1A series specifications

CW(R) NON ARROW CC(WL) ↺
DIRECTION OF ROTATION - LOOKING ON DRIVE SHAFT

| MODEL | 01 | 02 | 27 | 35 | 04 | 05 | 06 | 07 | 09 | 11 |
|--------------------|-----------|-----------|-----------|-----------|-----------|-------------|-----------|-----------|-------------|-------------|
| c.i.r | 0.08 | 0.12 | 0.16 | 0.21 | 0.25 | 0.31 | 0.37 | 0.45 | 0.55 | 0.67 |
| cm ³ /r | 1.3 | 2.0 | 2.7 | 3.4 | 4.1 | 5.1 | 6.1 | 7.4 | 9.1 | 11.0 |
| A | 1.732(44) | 1.811(46) | 1.890(48) | 1.969(50) | 2.047(52) | 2.165(55) | 2.283(58) | 2.441(62) | 2.638(67) | 2.874(73) |
| B | 0.866(22) | 0.906(23) | 0.945(24) | 0.984(25) | 1.024(26) | 1.083(27.5) | 1.142(29) | 1.220(31) | 1.319(33.5) | 1.437(36.5) |