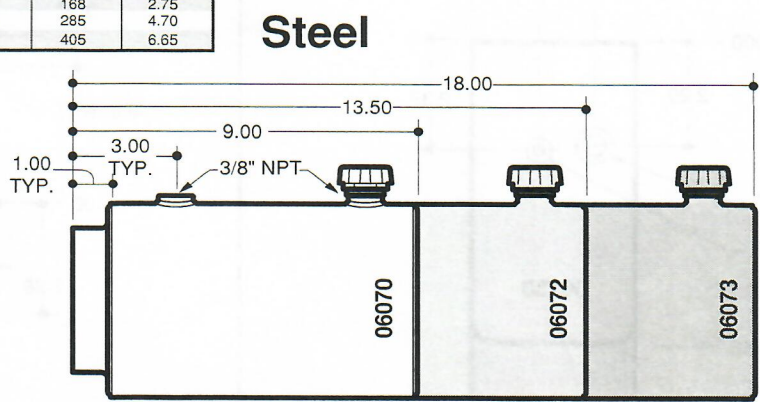
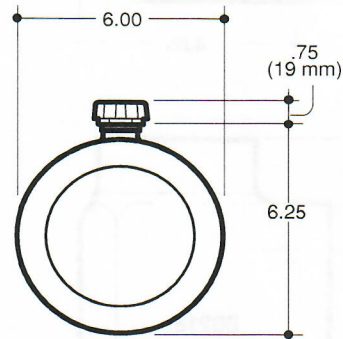
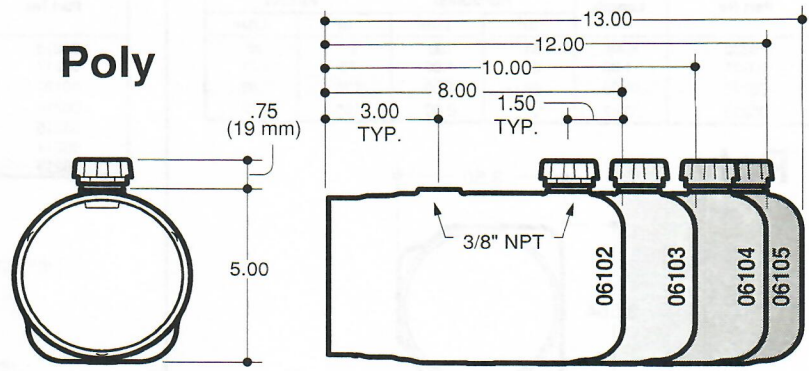


Reservoirs for M-400 Units

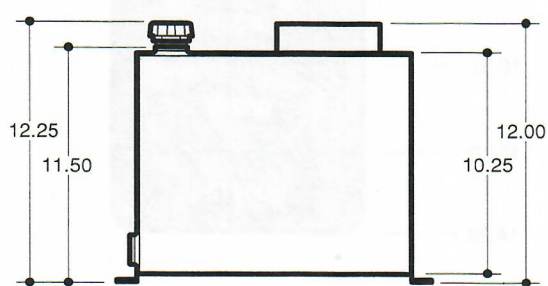
Horizontal Mounting			
Part No.	Length	Useable Capacity	
		In ³	Liter
06102	8.00	79	1.3
06103	10.00	106	1.75
06104	12.00	134	2.20
06105	13.00	148	2.40

Vertical Mounting			
Part No.	Length	Useable Capacity	
		In ³	Liter
04616	8.00	55	.90
04617	10.00	90	1.50
04618	12.00	125	2.05
04619	13.00	140	2.30

Part No.	Length	Useable Capacity			
		Horizontal		Vertical	
		In ³	Liter	In ³	Liter
06070	9.00	190	3.10	168	2.75
06072	13.50	292	4.80	285	4.70
06073	18.00	394	6.45	405	6.65



Part No.	Length	Useable Capacity	
		In ³	Liter
06881	10" Sq. x 10"H	693	11.35
06882	12" Sq. X 10"H	1155	18.90
06883	14" Sq. X 10"H	1386	22.70



Steel

