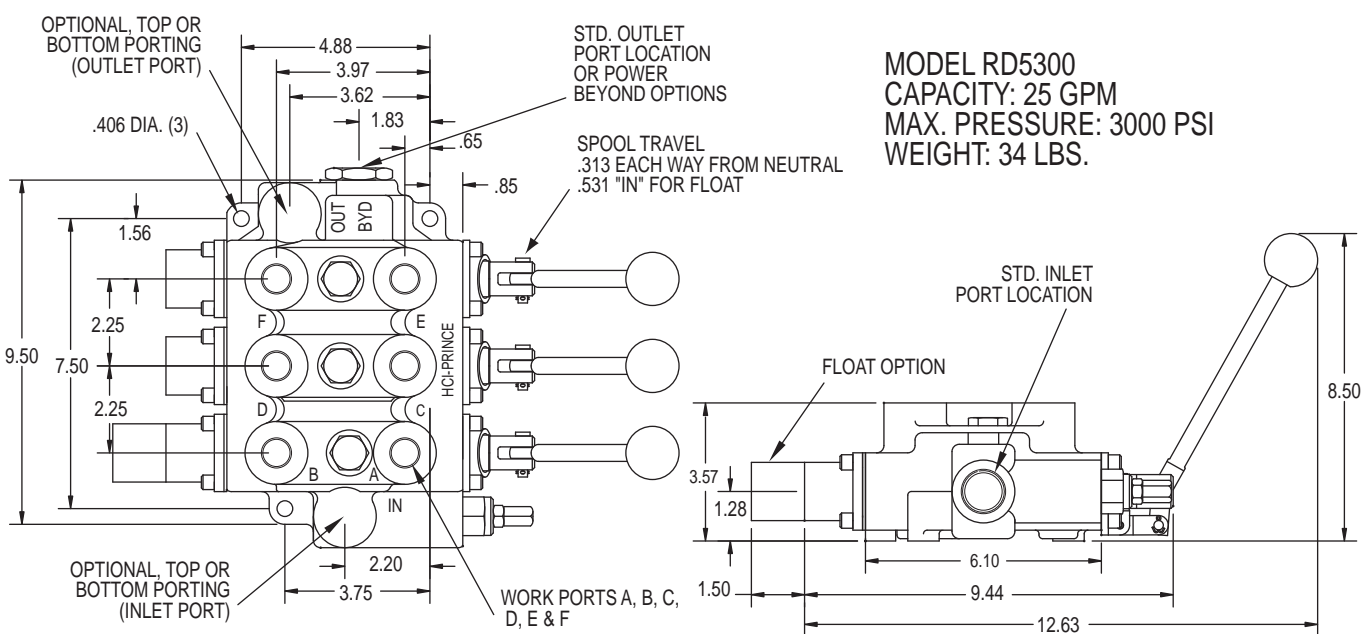
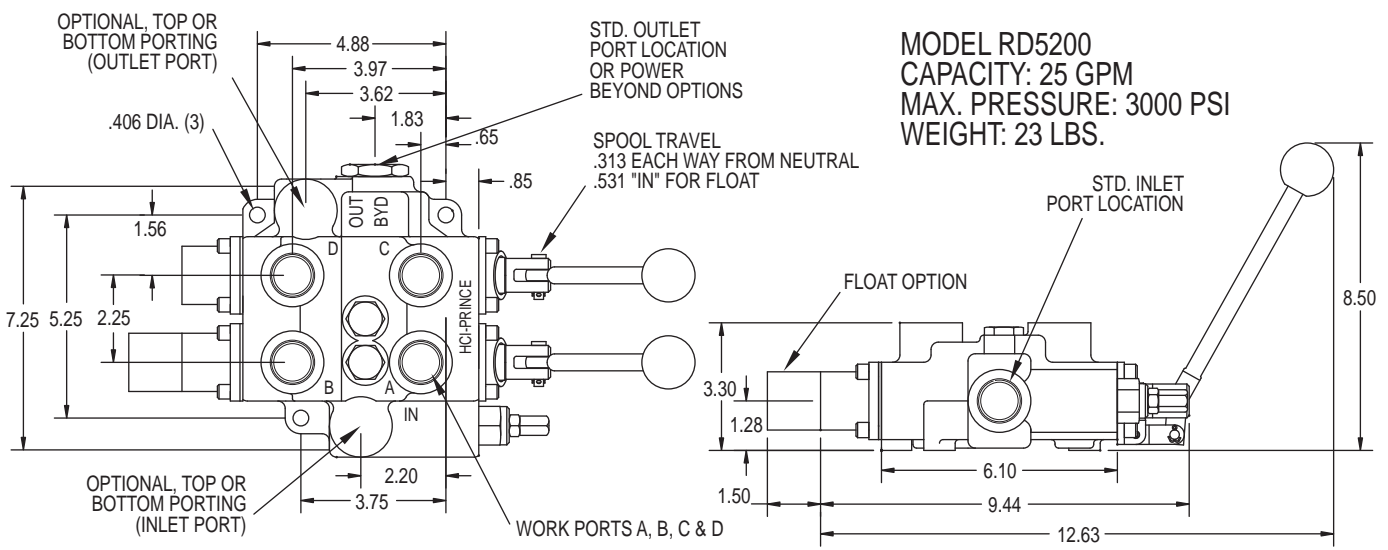
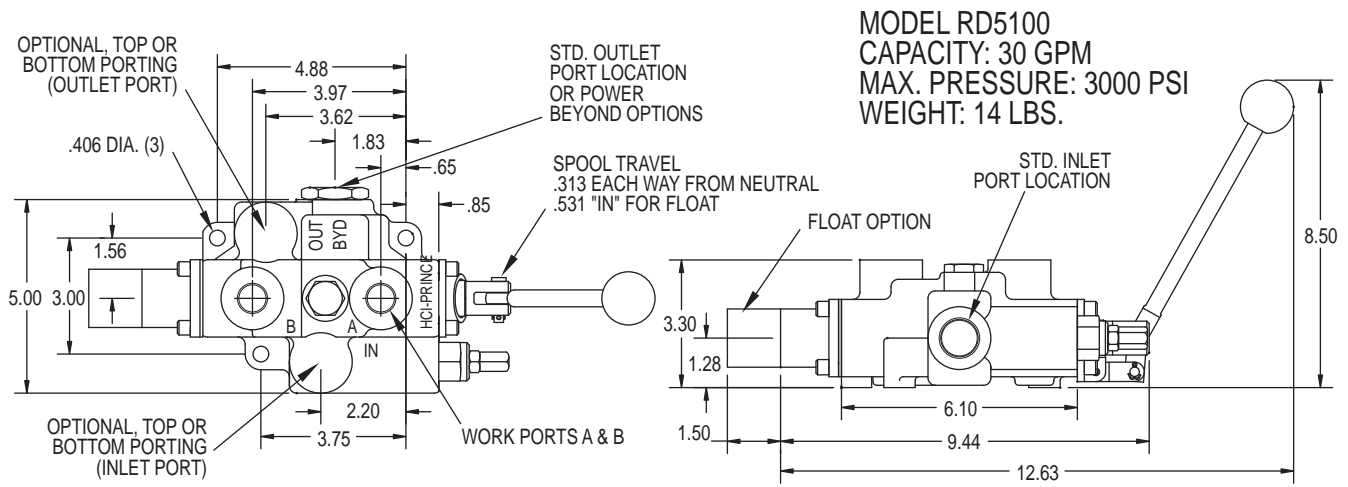


MODEL RD5000 DIMENSIONAL DATA



VALVES

RD5000 ORDER CODE

SPECIAL VALVES AVAILABLE:

RD5000 Mono-block Valves other than the standard models listed can be made to order. Use the order code matrix below to generate a model number that meets your requirements. Special features not listed can often be made to your specifications. A minimum order quantity may apply to special valves. Please consult your sales representative.

MODEL RD5000 ORDER CODE MATRIX:

Fill each box with one letter or number from each column to generate a model number
Note that first all spools are listed then all spool attachments.

MODEL NUMBER	PORT SIZE	SPOOL TYPE	SPOOL ATTACHMENTS	RELIEF VALVE	INLET LOCATION	OUTLET LOCATION	POWER BEYOND	HANDLE
RD51 Single Spool	2 3/4 NPTF In/Out 1/2 NPTF Work	A 3 Way, 3 Position Open Center	A 3 Position Spring Center to Neutral	1 No Relief	A End	1 END (with Power Beyond Option A)	A Not Provided (only available with outlet location 1)	1 With Complete Handle Assembly
RD52 Two Spool	3 3/4 NPTF In/Out 3/4 NPTF Work	C 4 Way, 3 Position Tandem Center	B 3 Position Detent (No Centering Spring)	2 Differential Poppet Non-Adjustable Set at 1000 PSI	B Top	2 TOP	B Conversion Plug Installed	2 Less Handle Only
RD53 Three Spool	5 #12 SAE In/Out #12 SAE Work	E 4 Way, 3 Position Open Center Motor Spool	C Friction Detent (Detented in Neutral Only)	3 Differential Poppet Non-Adjustable Set at 2000 PSI		4 END (with Power Beyond Option B, C, D, F) Standard	C Power Beyond Plug Installed with 3/4 NPTF	3 Without Handle Assembly
	6 #12 SAE In/Out #10 SAE Work	G** 4 Way, 4 Position Tandem Center Float Spool	D Rotary Actuator w/Center Detent (only available w/Handle 3 and Spool J)	4 Differential Poppet Adjustable 500-1500 PSI Set at 1000 PSI			D° Closed Center Conversion Plug Installed	RD5200 5*** Bent Joystick Handle
	Other Ports Please Specify	J 4 Way, 3 Position Tandem Center Rotary Actuator (Spool Attachment D Only)	E Pressure Release Detent 1 Position Detent, Spool "out" Only, Spring Center to Neutral	5 Differential Poppet Adjustable 1500-3000 PSI Set at 2000 PSI			F Power Beyond Plug Installed with #12 SAE	6*** Straight Joystick Handle
Spool option "G", and spool attachment "F", and "G" are available on the first spool only. Spool option "G" must be ordered with spool attachment option "G".			F Pressure Release Detent 2 Position Detent, Spool "in" and "out", Spring Center to Neutral					Joystick can be installed on RD5300 on special order
			G** 4 Position, Spring Center to Neutral, Detent Spool In for Float Position					
			H Spring Center Pneumatic Actuator					
			N 1 Position Detent Spool "out" Spring Center to Neutral					
			P 2 Position Detent Spool "in and out", Spring Center to Neutral	* For other Relief Settings Please Specify				
			R 3 Position Spring Center with Micro-Switch and Boot (actuates with spool in or out movement)					
			S 2 Position Detent "Neutral and out", No "in" Position					

***RD532CCCAA5A4B1-25**

The last two digits are Relief pressure in hundreds
Example: 25=2500 psi, all relief settings are at 10 GPM & 105°F.

*** Joystick handle will operate both spools using only one lever handle. The two spools can be operated either independently or simultaneously depending on handle movement.

° Often used with no relief. Review application.

STANDARD FEATURES

- * Economical monoblock construction of high tensile strength gray cast iron.
- * Load check on each spool,
- * Hard chrome plated spool.
- * Optional 4 Position Float on 1st spool.

- * Differential poppet style relief, adjustable from 1500 to 3000 psi (also available in low pressure version adjustable from 500 to 1500 psi)
- * Power beyond and closed center capability.
- * Reversible handle.

RD5100 SINGLE SPOOL VALVE PRESSURE DROP VALUES

110 SUS OIL AT 115°F			
FLOW (GPM)	Δ P-PSI		
	INLET TO OUTLET	INLET TO A OR B	A OR B TO OUTLET
5	2	8	3
10	5	17	6
15	9	35	12
20	21	58	21
25	26	86	34

RD5200 TWO SPOOL VALVE PRESSURE DROP VALUES

110 SUS OIL AT 115°F				
FLOW (GPM)	Δ P-PSI			
	INLET TO OUTLET	INLET TO WORK PORTS	A OR B TO OUTLET	C OR D TO OUTLET
5	3	11	2	2
10	8	22	8	5
15	16	38	15	11
20	28	57	27	19
25	44	83	43	29

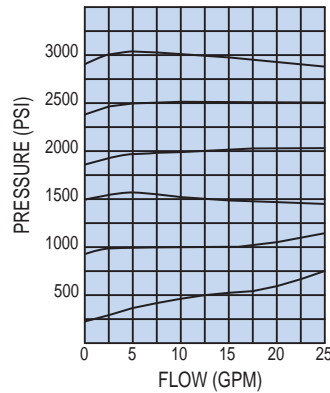
RD5300 THREE SPOOL VALVE PRESSURE DROP VALUES

110 SUS OIL AT 115°F							
FLOW (GPM)	Δ P-PSI						
	INLET TO OUTLET	INLET TO A OR B	INLET TO C OR D	INLET TO E OR F	A OR B TO OUTLET	C OR D TO OUTLET	E OR F TO OUTLET
5	2	9	9	11	4	3	2
10	10	18	20	25	14	9	6
15	22	33	41	49	32	22	13
20	37	56	68	78	51	36	21
25	58	83	101	118	76	55	32

SPECIFICATIONS

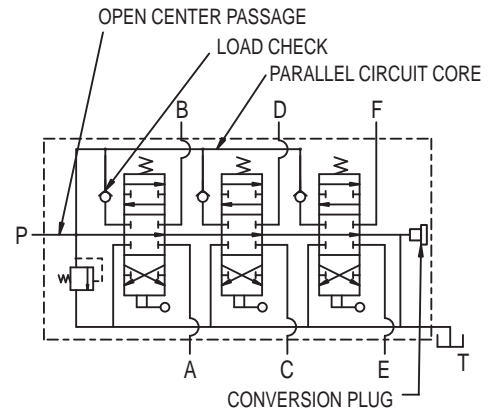
PARALLEL CIRCUIT (RD-5200 & RD-5300)
 MAXIMUM OPERATING PRESSURE 3000 PSI
 MAXIMUM OPERATING TEMPERATURE 180°F
 MAXIMUM TANK PORT PRESSURE 500 PSI
 RECOMMENDED SYSTEM FILTRATION...ISO 4406 19/17/14
 FLOW RATING.....30 GPM RD5100
 25 GPM RD5200
 25 GPM RD5300
 WEIGHT 14 LBS RD5100
 23 LBS RD5200
 34 LBS RD5300

RD5000 RELIEF VALVE 110 SUS OIL AT 115°F



PARALLEL CIRCUIT VALVES:

Both the RD-5200 Two-Spool and RD-5300 Three-Spool Valves are parallel circuit valves. When any one of the spools is shifted it blocks off the open center passage thru the valve. The oil then flows into the parallel circuit core making oil available to all spools. If more than one spool is fully shifted then oil will go to the spool with the lowest pressure requirements. However, it is possible to meter the flow to the spool with the least load and power two unequal loads.



The above drawing shows a symbol for a Three-Spool Valve Model Number RD532CCCAA5A4B1