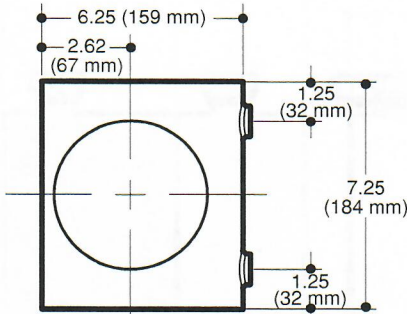


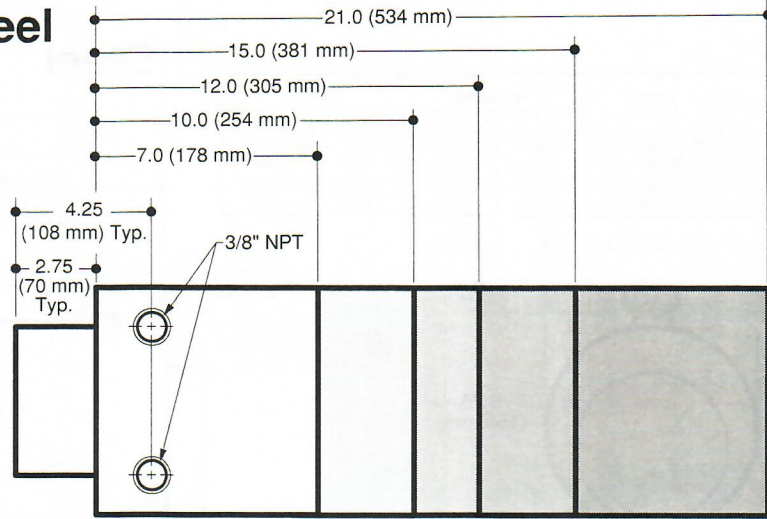


M-Series Reservoirs

Part No.	Length In(mm)	Useable Capacity	
		In ³	Liter
06861	7.00 (178 mm)	236	3.86
06862	10.00 (254 mm)	348	5.70
06328	12.00 (305 mm)	406	6.65
06864	15.00 (381 mm)	510	8.36
06888	21.00 (534 mm)	715	11.72

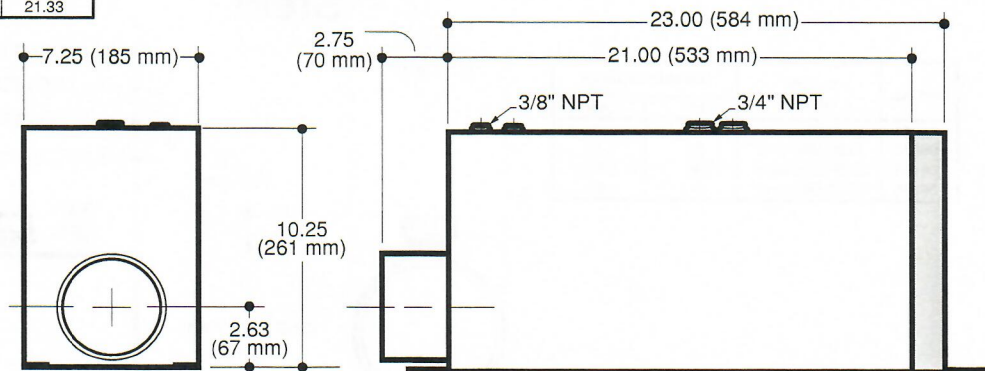


Steel



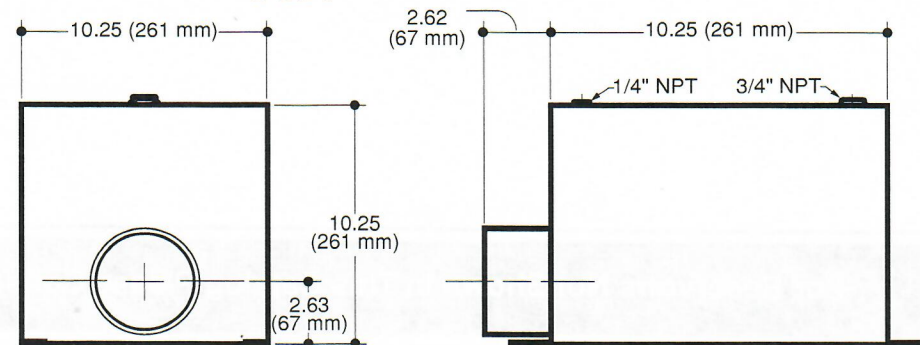
Part No.	Length In(mm)	Useable Capacity	
		In ³	Liter
06982	21.00 (533 mm)	1193	19.55
06397	23.00 (584 mm)	1302	21.33

Steel



Steel

Useable Capacity		
Part No.	In ³	Liter
06681	1155	18.92



This reservoir is not suitable for modular power units.

