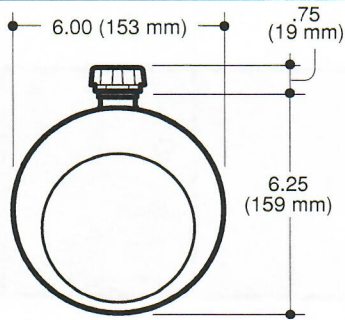
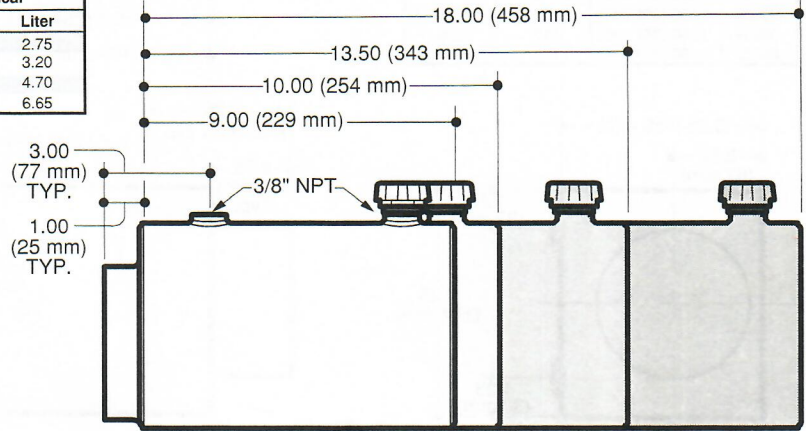


M-Series Reservoirs

Part No.	Length In(mm)	Useable Capacity			
		Horizontal		Vertical	
		In ³	Liter	In ³	Liter
06042	9.00 (229 mm)	190	3.10	168	2.75
06043	10.00 (254 mm)	217	3.56	194	3.20
06044	13.50 (343 mm)	292	4.80	285	4.70
06045	18.00 (458 mm)	394	6.45	405	6.65

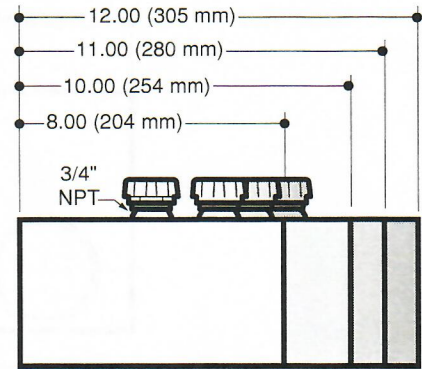
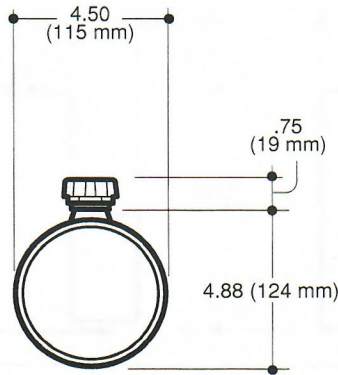


Steel



Steel

Part No.	Length In(mm)	Useable Capacity	
		In ³	Liter
06661	8.00 (204 mm)	60	1.40
06663	10.00 (254 mm)	85	1.60
06664	11.00 (280 mm)	98	1.80
06665	12.00 (305 mm)	111	1.80



For Reservoirs Not Shown In This Catalog Please Consult Factory.

