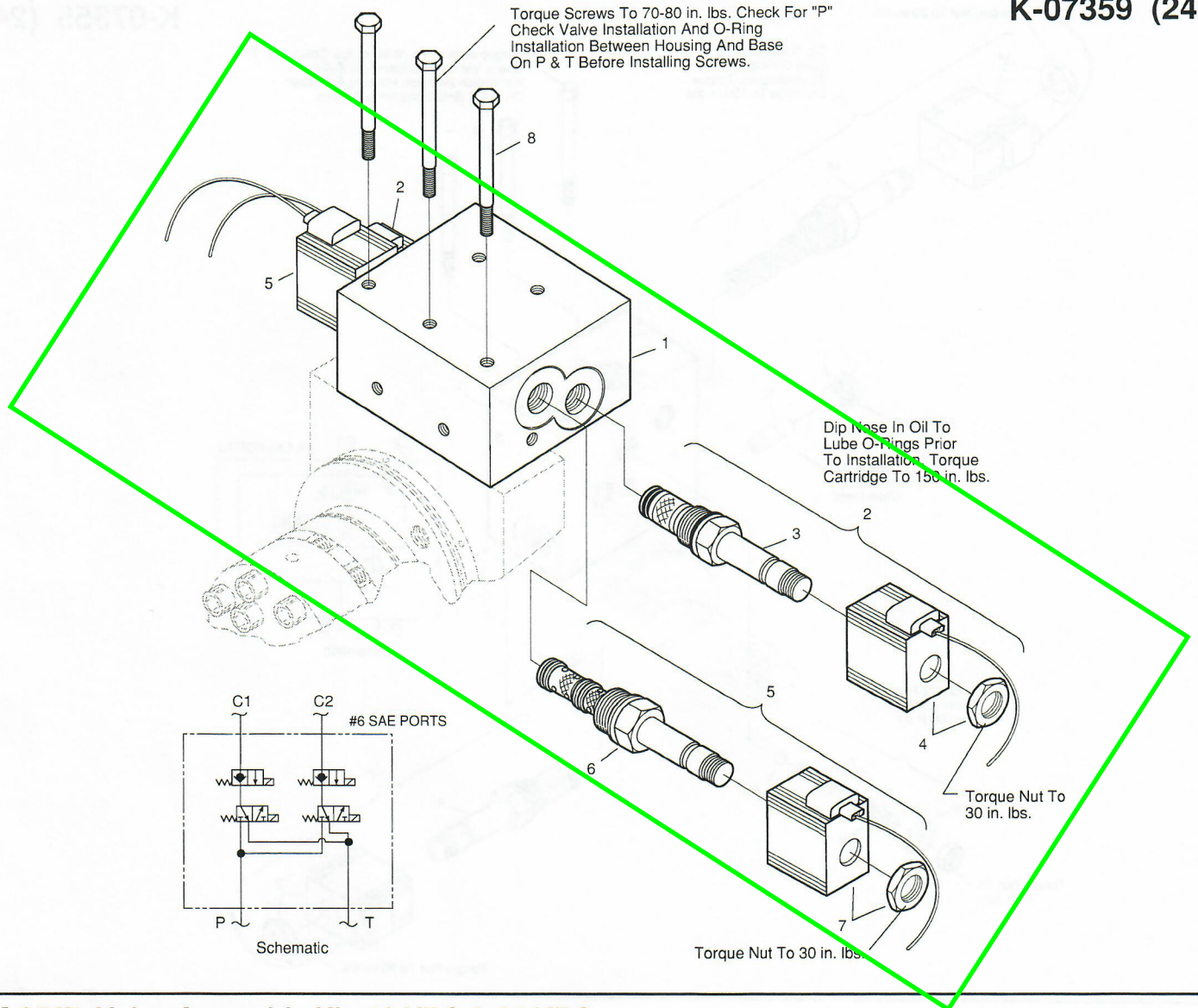




MONARCH HYDRAULICS, INC.
 Grand Rapids, Mi.
 Telephone: (616) 458-1306
 Telefax: (616) 458-1616

K-M Series Modular Kit Distribution Program

K-07350 (12V)
K-07359 (24V)



M-3547 Valve Assembly Kit, 12 VDC & 24 VDC							
Ref. No.	Part No.	Description	No. Req.	Ref. No.	Part No.	Description	No. Req.
1	K-07350 K-07359	VALVE ASSEMBLY (12V) VALVE ASSEMBLY (24V)	1 1	7	00678 07301	• COIL, 10 VDC, grounded • COIL, 18 VDC, grounded	1 1
2	00707 07158	• VALVE, 2-Way / 2 Position (12V) • VALVE, 2-Way / 2 Position (24V)	2 2	8	07580	• SCREW, Hex Head, 1/4-20 x 2 3/4	3
3	07193	• CARTRIDGE, 2-Way / 2 Position	1				
4	00678 07301	• COIL, 10 VDC, grounded • COIL, 18 VDC, grounded	1 1				
5	00662 07226	• VALVE, 3-Way / 2 Position (12V) • VALVE, 3-Way / 2 Position (24V)	2 2				
6	00679	• CARTRIDGE, 3-Way / 2 Position	1				