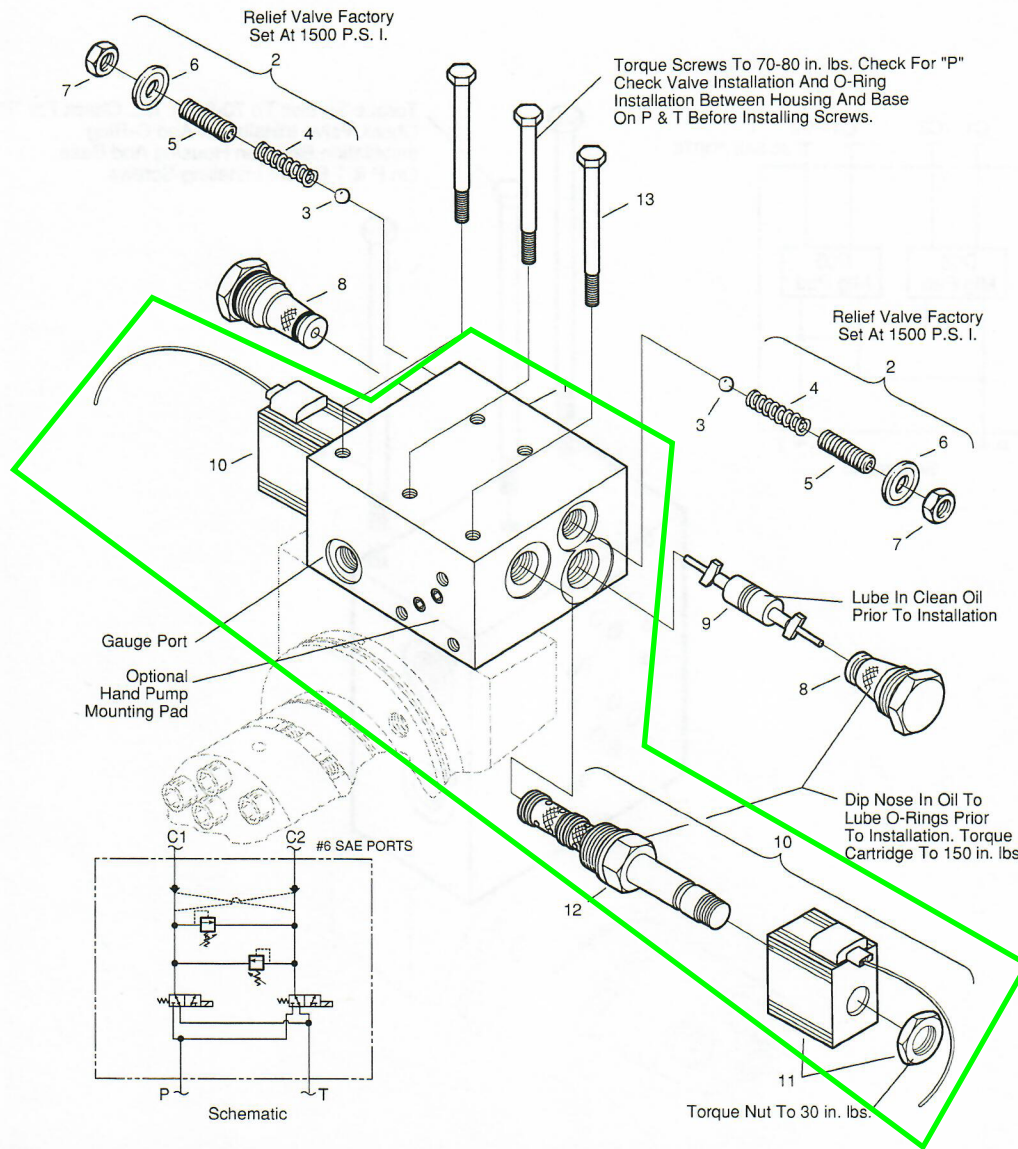




MONARCH HYDRAULICS, INC.  
 Grand Rapids, Mi.  
 Telephone: (616) 458-1306  
 Telefax: (616) 458-1616

# K-M Series Modular Kit Distribution Program

**K-07347 (12V)**  
**K-07360 (24V)**



## M-3530 Valve Assembly Kit, 12 VDC & 24 VDC

ef. o.	Part No.	Description	No. Req.	Ref. No.	Part No.	Description	No. Req.
1	<b>K-07347</b> <b>K-07360</b>	VALVE ASSEMBLY, (12V) VALVE ASSEMBLY, (24V)	1 1	9	07218	•PISTON ASSEMBLY, Double	1
2	07527	•KIT, Relief Valve	2	10	00662 07226	• VALVE, 12 VDC, 3-way / 2-position • VALVE, 24 VDC, 3-way / 2-position	2 2
3	00012	•• Ball, 1/4" Dia.	1	11	00678 07301	•• COIL, 10 VDC, grounded •• COIL, 18 VDC, grounded	2 2
4	00147	••SPRING, Relief, M-SERIES	1	12	00679	•• CARTRIDGE, 3-Way / 2-Position	2
5	07899	•• SCREW, Socket, set, 3/8-16 x 1 1/4	1	13	07580	• SCREW, Hex Head, 1/4-20 x 2 3/4	3
6	03874	•• SEAL, Wash, screw, nut	1				
7	07891	•• NUT, Hex, jam, 3/8-16unc	1				
8	07217	• VALVE, Check	2				