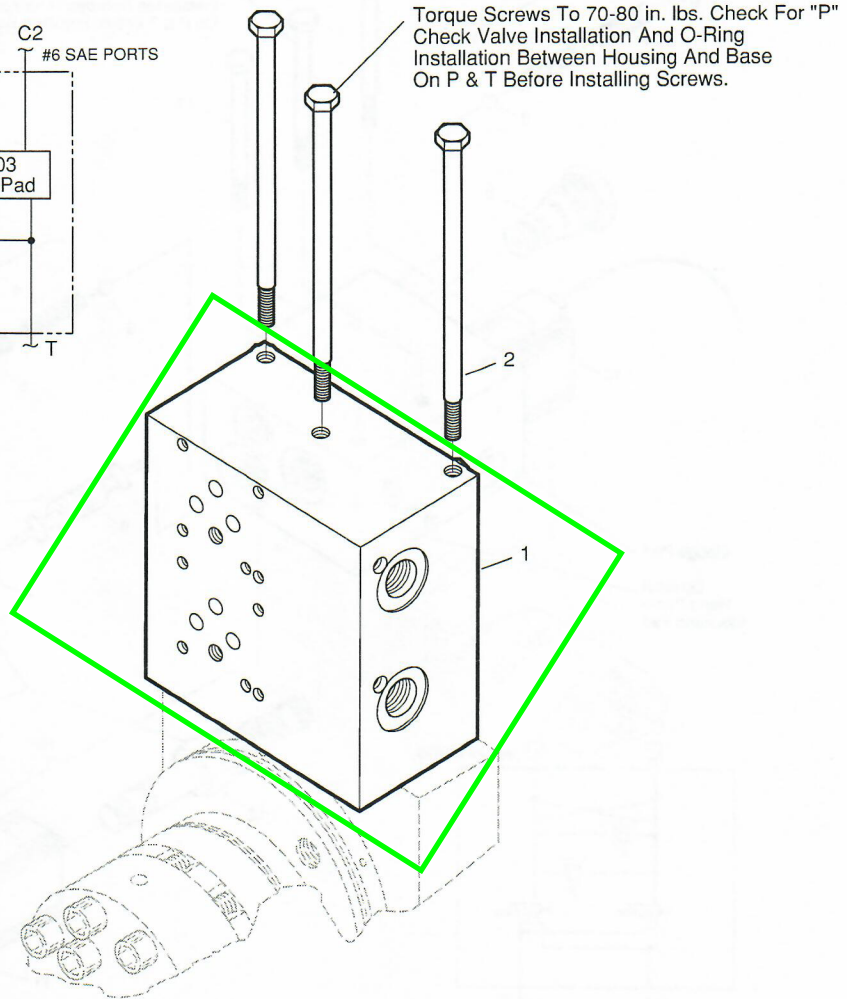
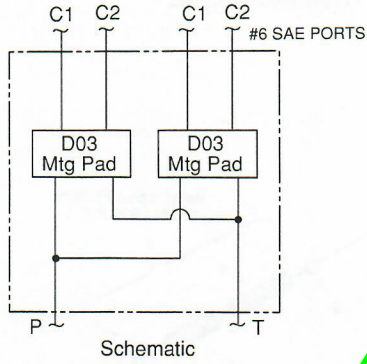




**MONARCH HYDRAULICS, INC.**  
 Grand Rapids, Mi.  
 Telephone: (616) 458-1306  
 Telefax: (616) 458-1616

# K-M Series Modular Kit Distribution Program

**K-07340**



## M-3529 Manifold Kit

Ref. No.	Part No.	Description	No. Req.	Ref. No.	Part No.	Description	No. Req.
1	<b>K-07340</b>	Manifold Kit	1				
2	07585	• SCREW, Hex Head, 1/4-20 x 5	3				