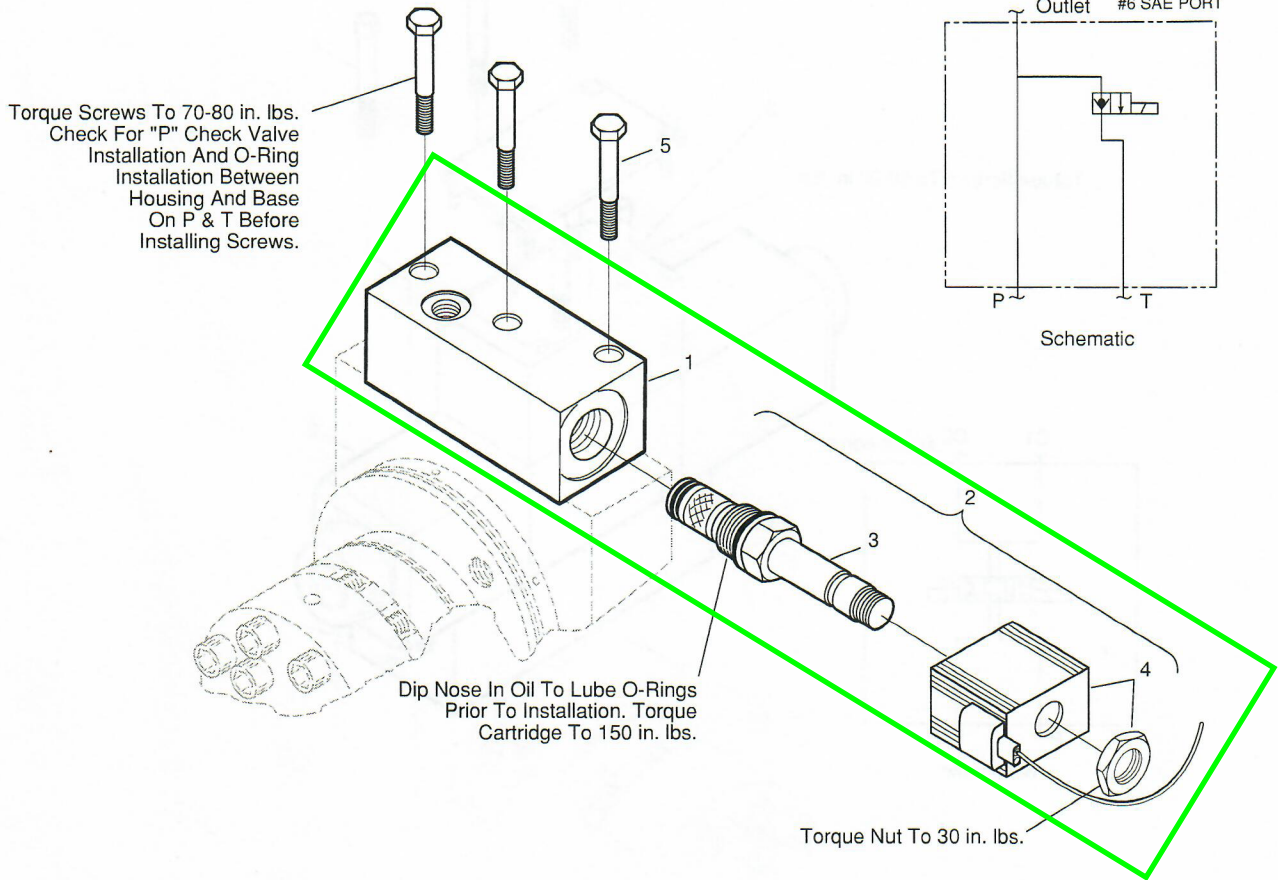




MONARCH HYDRAULICS, INC.
 Grand Rapids, Mi.
 Telephone: (616) 458-1306
 Telefax: (616) 458-1616

K-M Series Modular Kit Distribution Program

K-07339 (12V)
K-07354 (24V)



M-3519 Valve Assembly Kit, 12 VDC & 24 VDC

Ref. No.	Part No.	Description	No. Req.	Ref. No.	Part No.	Description	No. Req.
1	K-07339	VALVE ASSEMBLY (12 VDC)	1				
	K-07354	VALVE ASSEMBLY (24 VDC)	1				
2	00707	• VALVE (12V)	1				
	07158	• VALVE (24V)	1				
3	07193	•• CARTRIDGE, 2-Way, 2 Pos.	1				
4	00678	•• COIL, 10 VDC, Grounded	1				
	07301	•• COIL, 18 VDC, Grounded	1				
5	07923	• SCREW, Hex Head, 1/4-20 x 1 3/4	3				