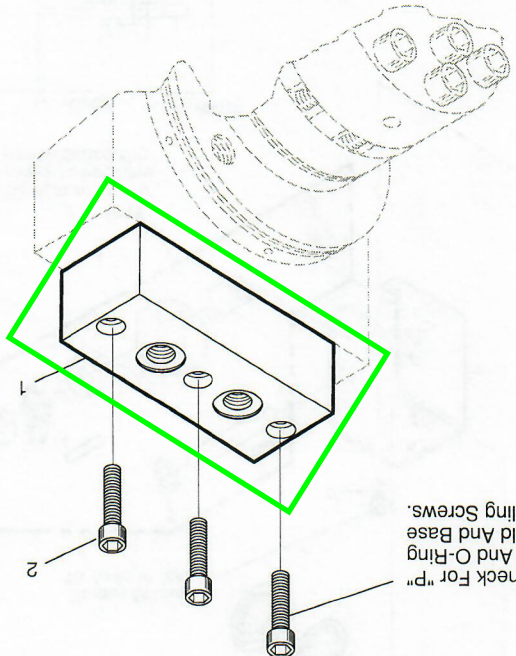
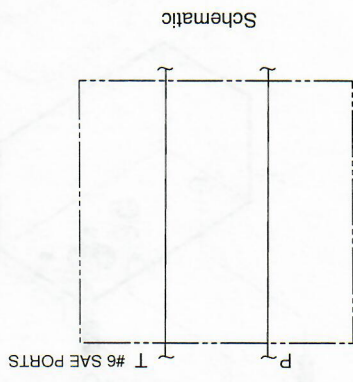


| Ref. No. | Part No.       | Description                         | Req. No. |
|----------|----------------|-------------------------------------|----------|
| 1        | <b>K-07326</b> | MANIFOLD, P & T                     | 1        |
| 2        | 07763          | • SCREW, Socket Head 1/4-20 x 1 1/4 | 3        |

**M-3504 Manifold Kit**



Torque Screws To 70-80 in. lbs. Check For "P"  
 Check Valve Installation And O-Ring  
 Installation Between Manifold And Base.  
 On P & T Before Installing Screws.



K-07326

**K-M Series  
 Modular Kit  
 Distribution Program**

MONARCH HYDRAULICS, INC.  
 Grand Rapids, MI.  
 Telephone: (616) 458-1306  
 Telefax: (616) 458-1616

