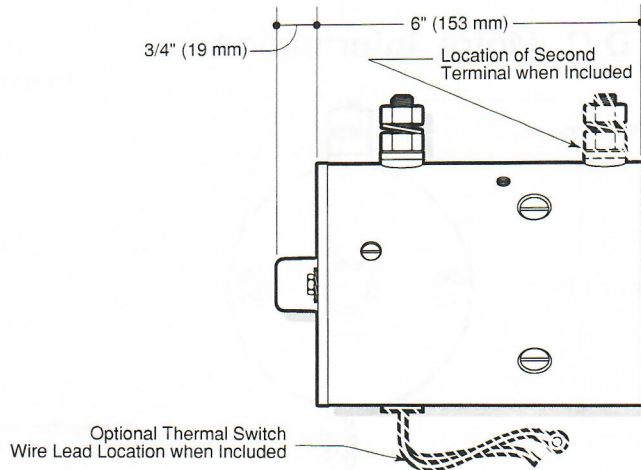
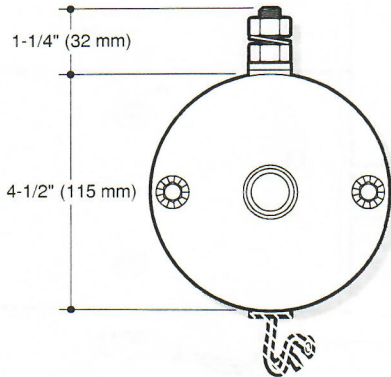


08117 D.C. Motor Information

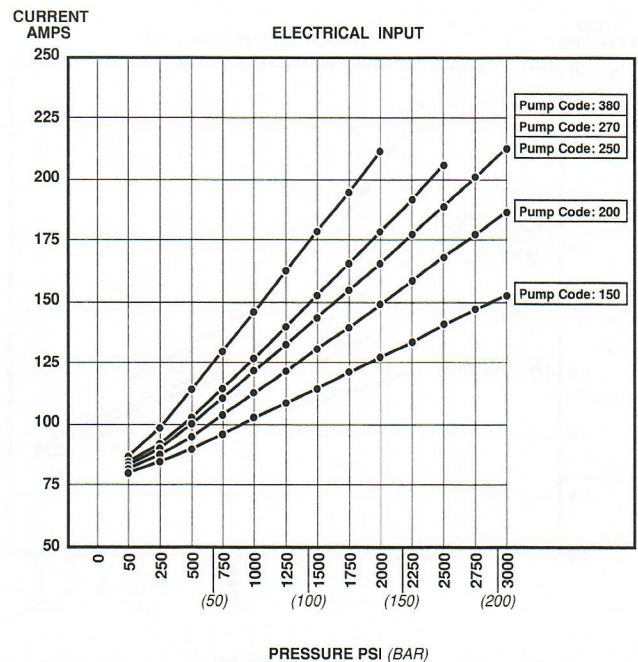
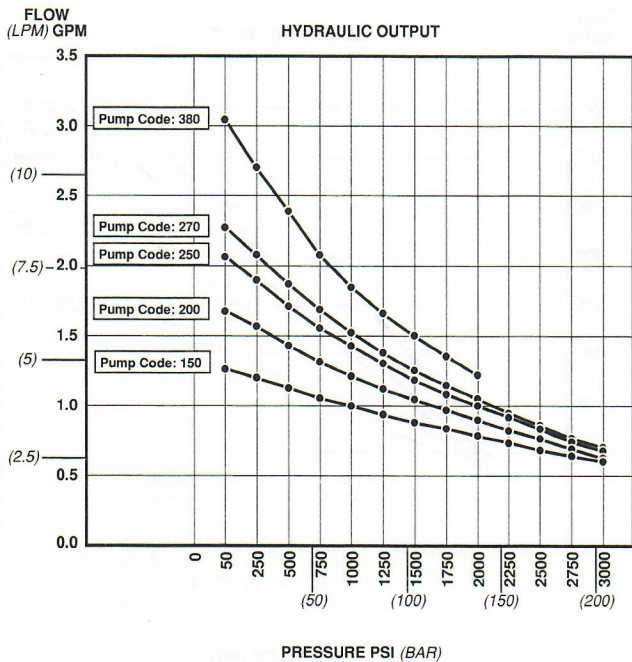


12 Volt D.C. Performance Curves

Voltage = 12.3 - $\sqrt{\frac{AMP - 70}{43}}$

Test Fluid = Mobil D.T.E. 24
@ 100°F (SUS 160)
34°C (CST 34)

Performance Curve D



PART NUMBER	VOLTAGE	INSULATION CLASS	PERFORMANCE CURVE	NUMBER OF TERMINALS	UL LISTED	DESCRIPTION *SEE KEY
08117	12	B	D	2	YES	SW/ID

Key to Abbreviations:

PM = Permanent Magnet
ID = Intermittent Duty

SW = Series Wound
CW = Compound Wound

HD = Heavy Duty

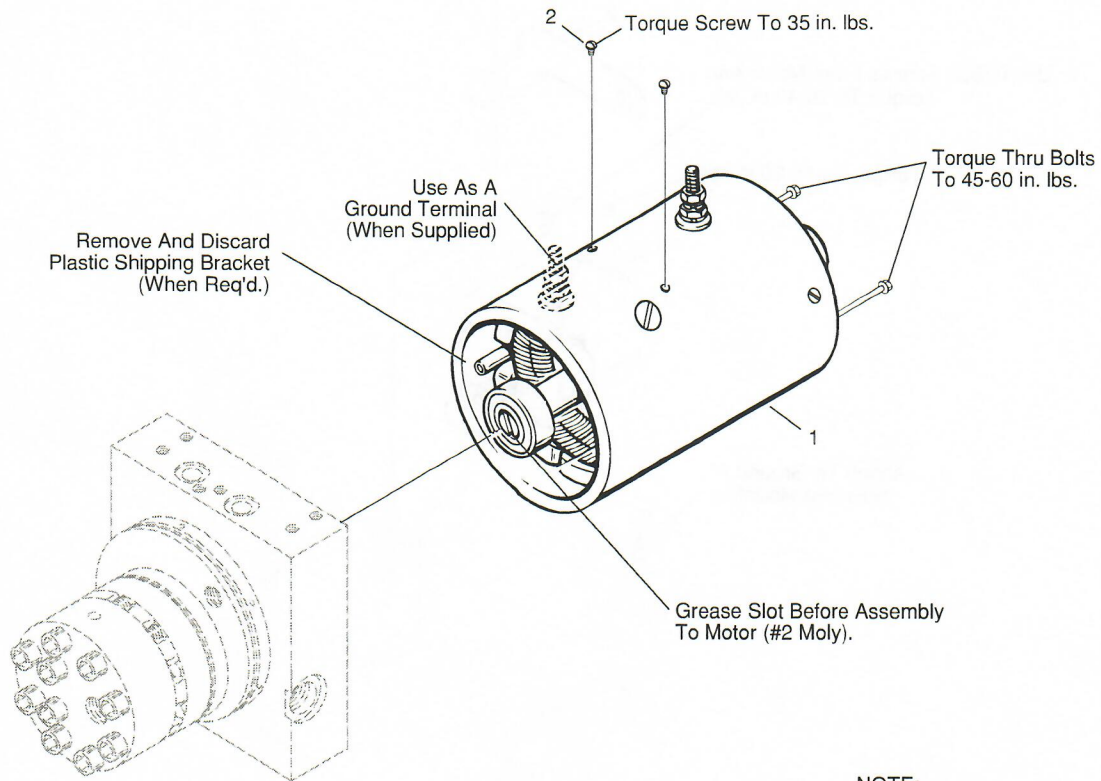
A Thermal Protection Switch is available as an option on most motors and must be used with a solenoid motor start switch. Refer to the Thermal Chart on Page 11.0 for Motor Thermal Performance Data.



MONARCH HYDRAULICS, INC.
 Grand Rapids, Mi.
 Telephone: (616) 458-1306
 Telefax: (616) 458-1616

K-M Series Modular Kit Distribution Program

K-08100
K-08111
K-08117
K-08120



NOTE:
 On Some Models, It May Be Necessary To Rotate Motor 90° To Allow Solenoid Clearance With Valve Manifold.

M-Series Motor, 4 1/2" Diameter

Ref. No.	Part No.	Description	No. Req.	Ref. No.	Part No.	Description	No. Req.
1	K-08100	MOTOR, Electric, 12 VDC (4.5" Dia. x 7"), (1 Terminal)	1				
	K-08111	MOTOR, Electric, 12 VDC (4.5" Dia. x 6"), (1 Terminal)	1				
	K-08117	MOTOR, Electric, 12 VDC (4.5" Dia. x 6") (2 Terminal)	1				
	K-08120	MOTOR, Electric, 24 VDC (4.5" Dia. x 6"), (2 Terminal)	1				
2	07683	• SCREW, Round Head Machine, 10-32 x 1/4"	2				