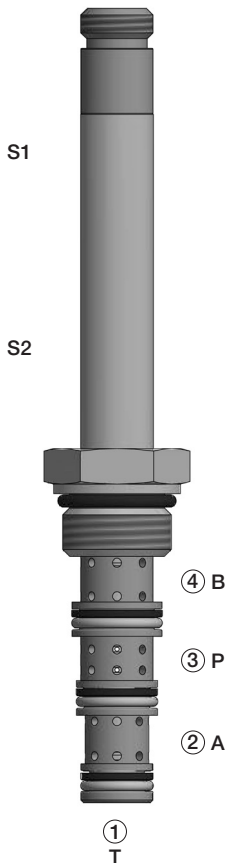
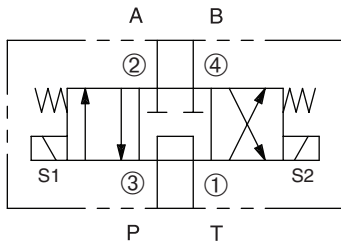


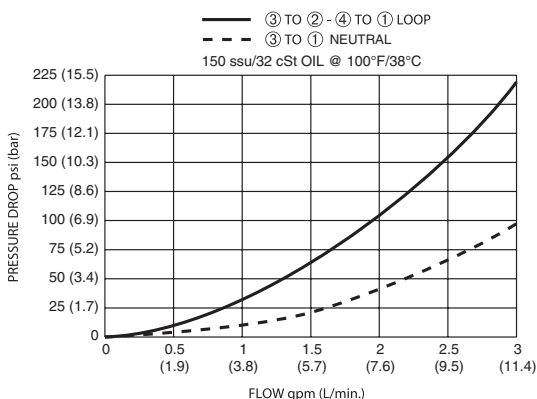
DSV-080-34T

Four-Way, Three-Position, Tandem Center
Spool-Type Solenoid Valve

SERIES 8



PRESSURE DROP VS. FLOW



DESCRIPTION

A cartridge valve designed as a three position, four-way solenoid valve.

OPERATION

When de-energized, the valve allows flow between the ③ and ① ports with ports ② and ④ blocked. When the lower solenoid (S2) is energized, the valve allows flow between the ① and ② ports and the ③ and ④ ports. When the upper (S1) solenoid is energized, the valve allows flow between the ① and ④ ports and the ② and ③ ports.

Operation of Manual Override Option: To override, pull the knurled knob to activate the coil "S1" function, or push the knurled knob to activate the coil "S2" function. Release the knurled knob to return the center position.

FEATURES and BENEFITS

- Continuous-duty solenoid.
- Hardened precision spool and sleeve for long life.
- Efficient wet-armature construction.
- Cartridges are voltage interchangeable.
- Optional coil voltages and terminations.
- Industry common cavity.

SPECIFICATIONS

Operating Pressure: 3000 psi (207 bar)

Flow: See PRESSURE DROP VS. FLOW graph.

Nominal flow 3 gpm (11.4 lpm)

Internal Leakage: (Per land) 10 in³/min (164 cc/min) max.
at 3000 psi (207 bar)

Temperature: -30°F to +250°F (-35°C to +120°C)

Coil: Series 8: K-Coil see page 1.91.1; S-Coil see page 1.92.1.

Coil Duty Rating: Continuous from 85% to 110% of rated voltage.

Current Draw: 12 VDC is 1.3 amps.

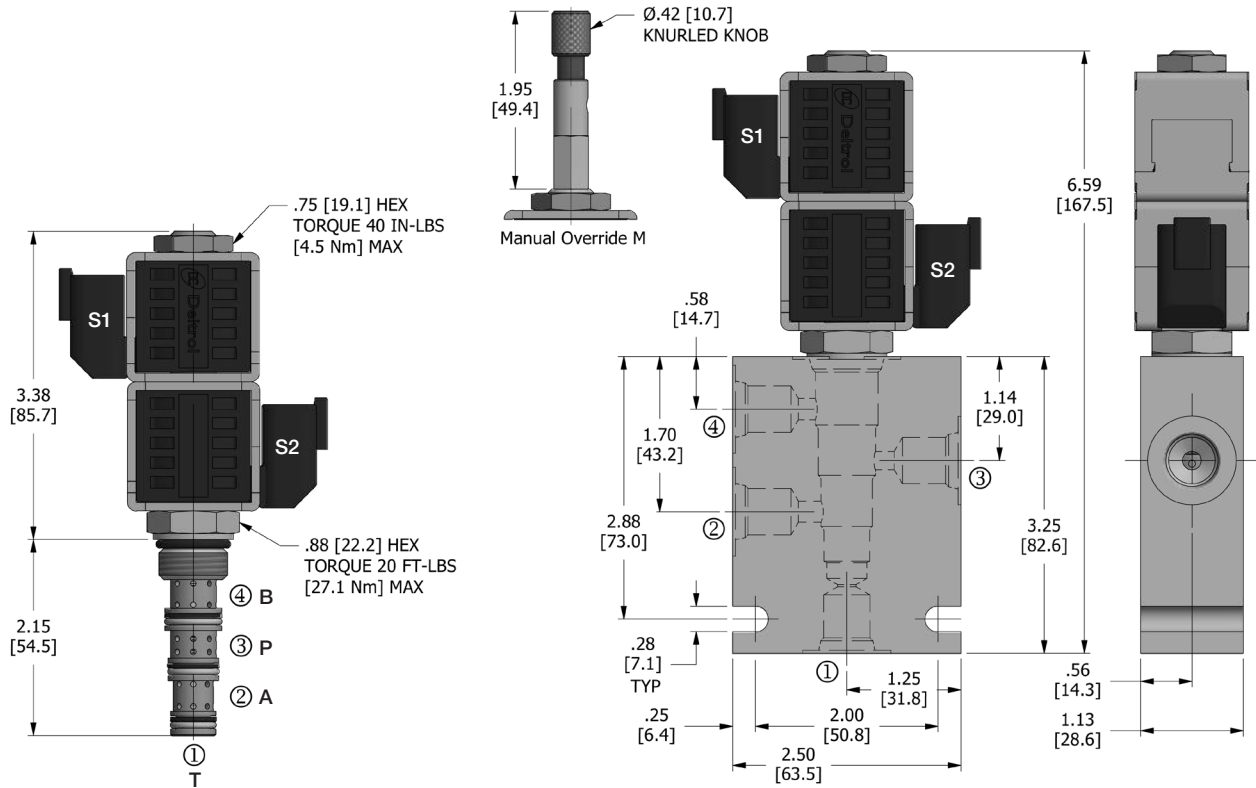
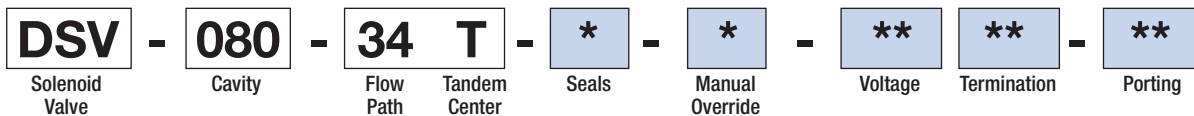
Minimum Pull-In Voltage: 85% of rated voltage at 3000 psi (207 bar)

Recommended Filtration: ISO 17/15/13

Fluids: Mineral-based fluids. For other fluid compatibility, consult factory.

Cavity/Cavity Tool: 080-4, see page 11.08.4

In-Line Body Material: Anodized 6061T6 aluminum
alloy rated at 3000 psi (207 bar)

DIMENSIONS Inches [Millimeters]

HOW TO ORDER


Seals		Seal Kit
N	Buna N	DSK-080-34-U-A
V	Viton	

Manual Override	
omit	No manual override
M	Manual override

Voltage†	
omit	Cartridge only w/nut
D1	DC 12 Volt
D2	DC 24 Volt
D9	DC 20 Volt
D10	DC 10 Volt
A5	AC 120 Volt
A6	AC 240 Volt

Termination†		
K-Coil External Frame	S-Coil Internal Frame	For internal diode – consult factory
omit	omit	Cartridge only w/nut
DE	DS	Dual Lead
SE	SS	Single Lead
BE	BS	Dual Spade
AE	AS	Single Spade
EE	ES	Single Stud
UE <small>IP69K</small>	US	Deutsch
PE <small>IP69K</small>		Metri-Pack
JE <small>IP69K</small>		Amp Junior Timer
	HS	DIN 43650
	C	Conduit <small>Duty Rating: Intermittent</small>
10234-41	10234-41	coil retainer nut
n/a	10172-60	coil spacer

Porting†			In-Line Body w/o Cartridge
omit	Cartridge only		
2N	1/4 PTF		B-080-4-2N
3N	3/8 PTF		B-080-4-3N
4T	SAE 4		B-080-4-4T
6T	SAE 6		B-080-4-6T

† Other options available – consult factory

Valve, Coil, and In-Line Body are supplied individually and need to be assembled. For a completed assembly consult the factory.

All variations may not be configurable. Minimum order quantities may be required on other models. Contact Deltrol Fluid Products for complete details.