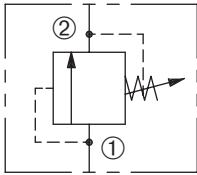


# DRV2-080

Adjustable,  
Direct-Acting Relief Valve

## SERIES 8



### DESCRIPTION

An adjustable, direct-acting poppet cartridge valve designed to limit pressure in hydraulic circuits.

### OPERATION

The DRV2-080 prevents flow from ① to ② until the set crack pressure at ① is achieved. The poppet then unseats allowing flow from ① to ② protecting the circuit from over pressurization.

### FEATURES and BENEFITS

- Quiet operation.
- Rapid response to pressure surges.
- Hardened poppet and seat for long life.
- Aluminum knob and disc nut option.
- Adjustment may be locked in place.
- Adjustment prevents spring from going solid.
- Hidden adjustment (tamper resistant option).
- Industry common cavity.

### SPECIFICATIONS

**Operating Pressure:** 3000 psi (207 bar)

**Flow:** See PRESSURE DROP VS. FLOW graph.  
Nominal Flow 10 gpm (37.9 lpm)

**Internal Leakage:** 20 drops/min max. at reseal.

**Crack Pressure Defined:** Determined at .25 gpm (0.9 lpm)

**Reseat Pressure:** Nominal 80% of crack pressure.

**Spring Range:** 50 to 3000 psi (3 to 207 bar)

Preset (See HOW TO ORDER)

**Temperature:** -30°F to +250°F (-35°C to +120°C).

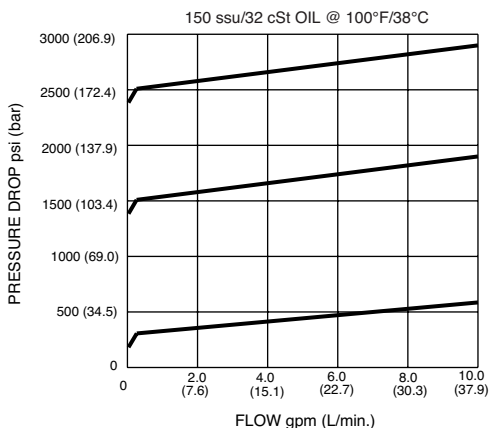
**Recommended Filtration:** ISO 20/18/14

**Fluids:** Mineral-based fluids. For other fluid compatibility, consult factory.

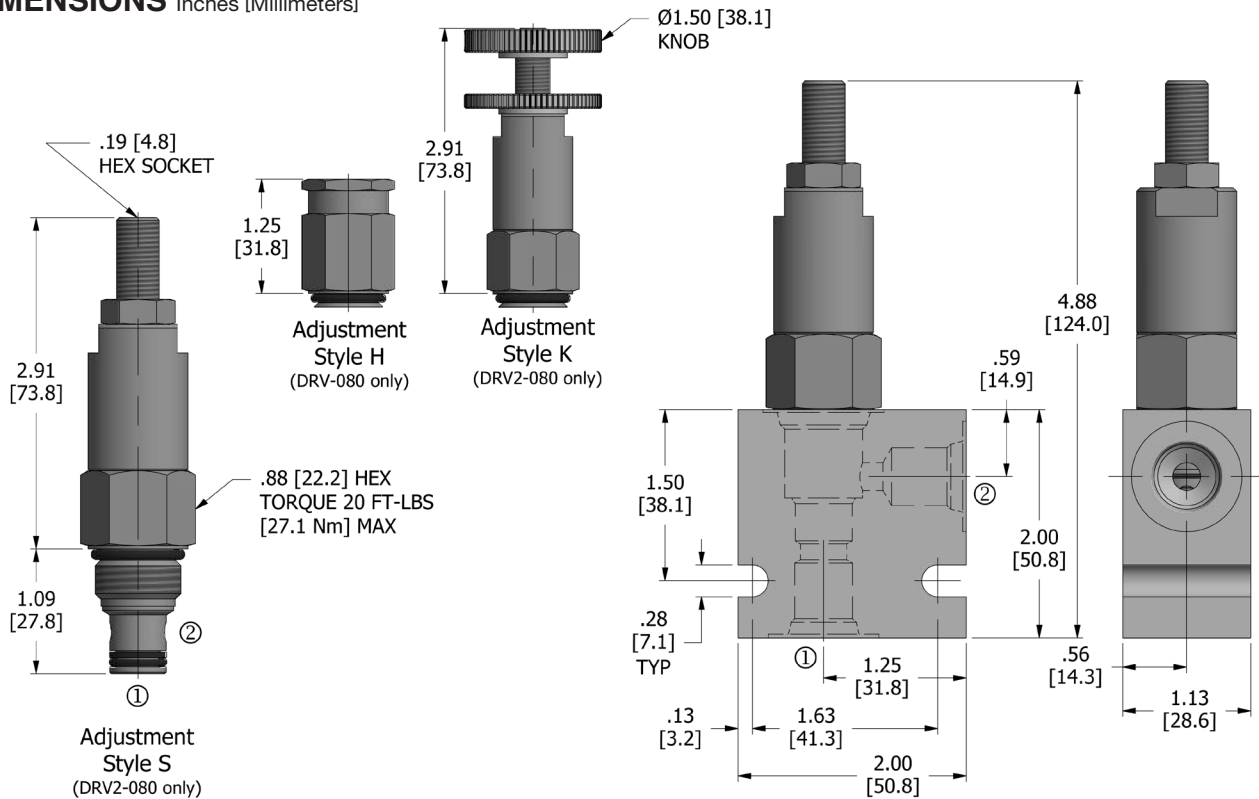
**Cavity/Cavity Tool:** 080-2, see page 11.08.2

**In-Line Body Material:** Anodized 6061T6 aluminum alloy rated at 3000 psi (207 bar).

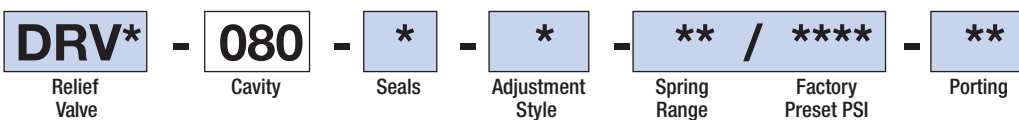
### PRESSURE DROP VS. FLOW



## DIMENSIONS Inches [Millimeters]



## HOW TO ORDER



Relief Valve		Spring Range		Preset	Porting†		In-Line Body w/o Cartridge
<b>DRV2</b>	Adjustment Style K & S	<b>4</b>	100 to 400 psi (7 to 28 bar)	300 psi (21 bar)	omit	Cartridge only	B-080-2-2N
<b>DRV</b>	Adjustment Style H	<b>20</b>	300 to 2000 psi (21 to 138 bar)	1500 psi (103 bar)	<b>2N</b>	1/4 PTF	B-080-2-2N
		<b>30</b>	1500 to 3000 psi (103 to 207 bar)	2500 psi (172 bar)	<b>3N</b>	3/8 PTF	B-080-2-3N
		<b>DRV-080</b> Adjustment Style H			<b>4T</b>	SAE 4	B-080-2-4T
		<b>30</b>	50 to 3000 psi (3 to 207 bar)	1500 psi (103 bar)	<b>6T</b>	SAE 6	B-080-2-6T

Seals		Seal Kit
<b>N</b>	Buna N	DSK-080-2-N-A
<b>V</b>	Viton	DSK-080-2-V-A

Adjustment Style	
<b>K</b>	Knob
<b>S</b>	Screw
<b>H</b>	Hidden

Factory Preset PSI	
omit	Standard preset
<b>****</b>	example: 2550 = 2550 psi

† Other options available – consult factory  
 Valve and In-Line Body are supplied individually and need to be assembled. For a completed assembly consult the factory.  
 All variations may not be configurable. Minimum order quantities may be required on other models. Contact Deltrol Fluid Products for complete details.