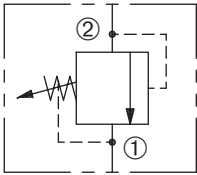


DDRV-100

Adjustable, Direct-Acting,
Differential Area Relief Valve

SERIES 10

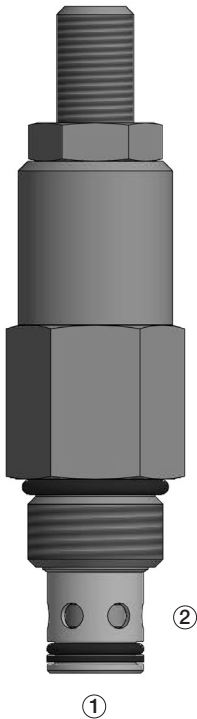


DESCRIPTION

An adjustable, direct-acting poppet cartridge valve designed to limit pressure in hydraulic circuits.

OPERATION

The DDRV-100 prevents flow from ② to ① until the set crack pressure at ② is achieved. The poppet then unseats allowing flow from ② to ① protecting the circuit from over pressurization.



FEATURES and BENEFITS

- Rapid response to pressure surges.
- Low pressure rise.
- Hardened poppet and seat for long life.
- Hidden adjustment (tamper resistant).
- Aluminum knob and disc nut option.
- Adjustment may be locked in place.
- Industry common cavity.

SPECIFICATIONS

Operating Pressure: 3600 psi (248 bar)

Flow: See PRESSURE DROP VS. FLOW graph.

Nominal Flow 20 gpm (75.7 lpm)

Internal Leakage: 20 drops/min max. at reseal.

Crack Pressure Defined: Determined at .25 gpm (0.9 lpm)

Reseat Pressure: Nominal 80% of crack pressure

Spring Range: 100 to 3600 psi (7 to 248 bar)

Preset (See HOW TO ORDER)

Temperature: -30°F to +250°F (-35°C to +120°C)

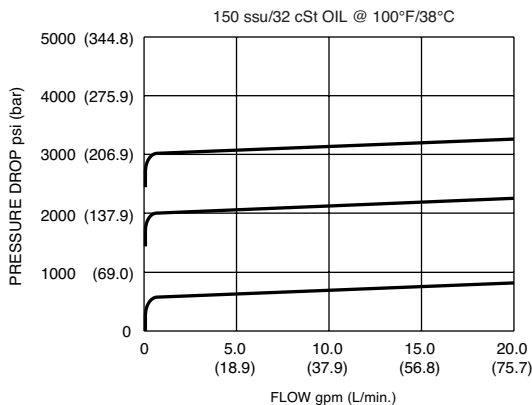
Recommended Filtration: ISO 20/18/14

Fluids: Mineral-based fluids. For other fluid compatibility, consult factory.

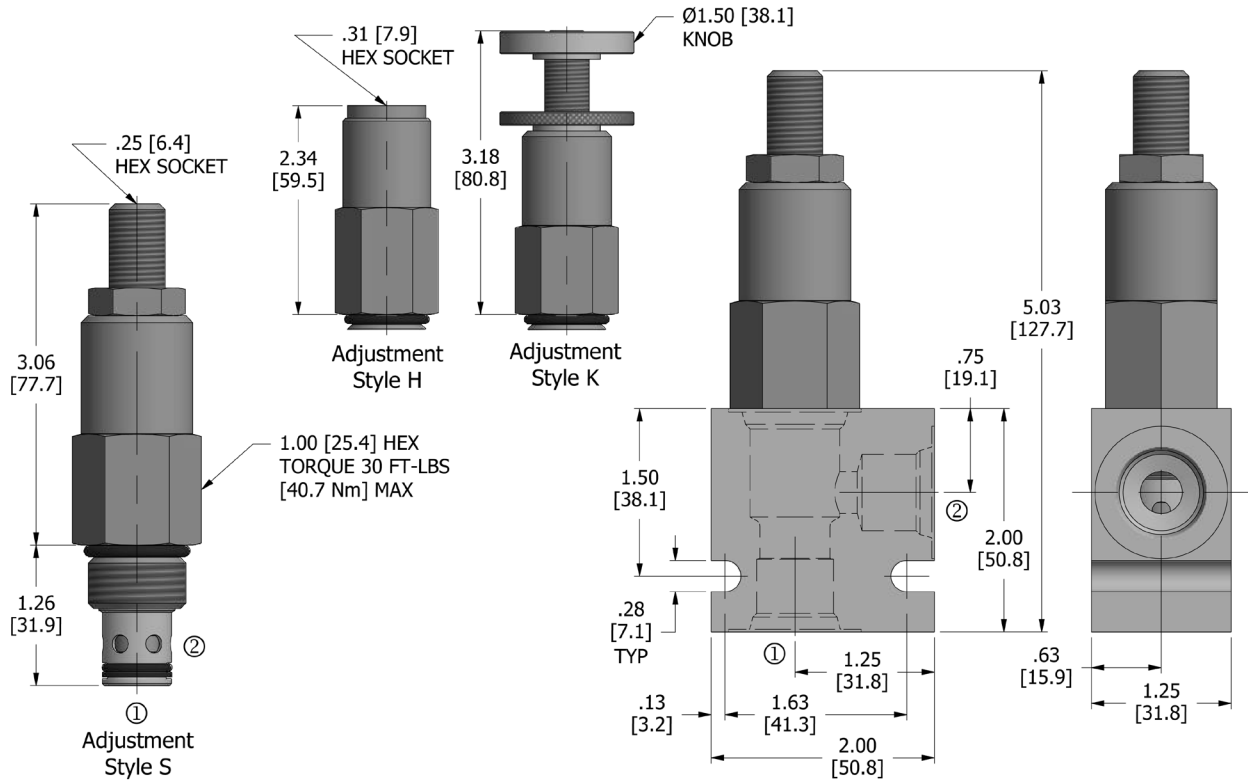
Cavity/Cavity Tool: 100-2, see page 11.10.2

In-Line Body Material: Anodized 6061T6 aluminum alloy rated at 3000 psi (207 bar).

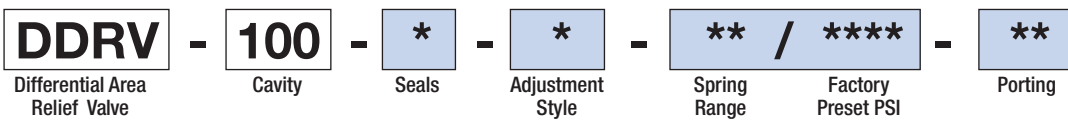
PRESSURE DROP VS. FLOW



DIMENSIONS Inches [Millimeters]



HOW TO ORDER



Seals		Seal Kit
N	Buna N	DSK-100-2-N-A
V	Viton	DSK-100-2-V-A

Spring Range		Preset
6	100 to 600 psi (7 to 41 bar)	300 psi (21 bar)
20	250 to 2000 psi (17 to 138 bar)	1000 psi (69 bar)
36	600 to 3600 psi (41 to 248 bar)	2000 psi (138 bar)

Porting†		In-Line Body w/o Cartridge
omit	Cartridge only	
2N	1/4 PTF	B-100-2-2N
3N	3/8 PTF	B-100-2-3N
6T	SAE 6	B-100-2-6T
8T	SAE 8	B-100-2-8T

Adjustment Style	
H	Hidden
K	Knob
S	Screw

Factory Preset PSI	
omit	Standard preset
****	example: 2550 = 2550 psi

† Other options available – consult factory

Valve and In-Line Body are supplied individually and need to be assembled. For a completed assembly consult the factory.

All variations may not be configurable. Minimum order quantities may be required on other models. Contact Deltrol Fluid Products for complete details.

SOLENOID
CHECK
MOTION CONTROL
FLOW CONTROL
RELIEF
PRESSURE CONTROL
SEQUENCE
SHUTTLE
DIRECTIONAL VALVES
HAND PUMPS
TECHNICAL DATA