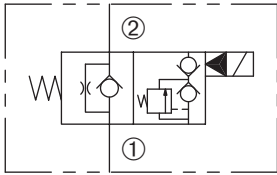


DSV2-080-2NOP

Normally-Open, Two-Way, Two-Position,
Poppet-Type Solenoid Valve

SERIES 8



DESCRIPTION

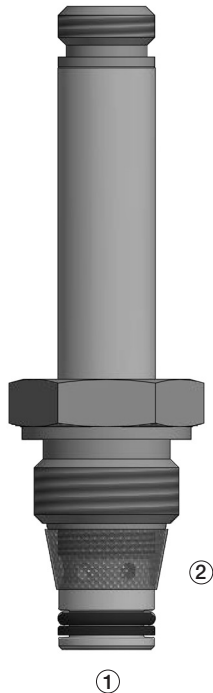
A cartridge valve designed with positive shut off to be used in load holding applications.

OPERATION

When de-energized, the DSV2-080-2NOP poppet is open to allow flow from ② to ①.

When energized, the poppet closes to block flow from ② to ①. In this condition, the cartridge allows reverse flow from ① to ② after overcoming the solenoid force of 75 psi (5 bar).

Operation of Manual Override Option: To override, push knob in, twist clockwise and release. In this position, the valve will remain closed. To return to normal operation, push knob in, twist counterclockwise and release. Override will be detented in this position.



FEATURES and BENEFITS

- Continuous-duty solenoid.
- Hardened poppet and plunger for long life and low leakage.
- Efficient wet-armature construction.
- Cartridges are voltage interchangeable.
- Optional coil voltages and terminations.
- Filter screen standard.
- Manual override option.
- Industry common cavity.

SPECIFICATIONS

Operating Pressure: 3000 psi (207 bar)

Flow: See PRESSURE DROP VS. FLOW graph.

Nominal flow 5 gpm (18.9 lpm)

Internal Leakage: 5 drops/min max. at 3000 psi (207 bar)

Temperature: -30° F to +250° F (-35°C to +120° C)

Coil: Series 8: K-Coil see page 1.91.1; S-Coil see page 1.92.1.

Coil Duty Rating: Continuous from 85% to 110% of rated voltage.

Current Draw: 12 VDC is 1.3 amps.

Minimum Pull-In Voltage: 85% of rated voltage at 3000 psi (207 bar)

Response Time: 80% of final change of state with 100% voltage supplied at 100% of nominal flow rating.

Pull-In: 12 VDC 25 m. sec. **Drop-Out:** 12 VDC 30 m. sec.

Recommended Filtration: Critical Application-ISO 17/15/13

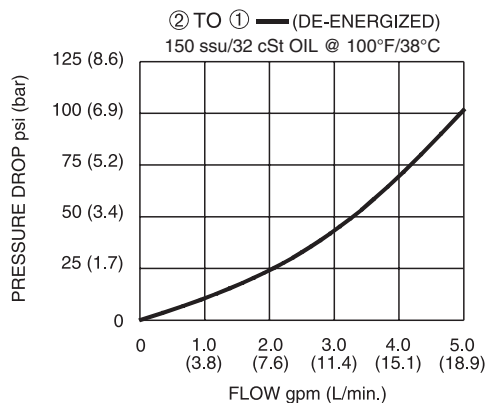
Non-Critical Application-ISO 20/18/14

Fluids: Mineral-based fluids. For other fluid compatibility consult factory.

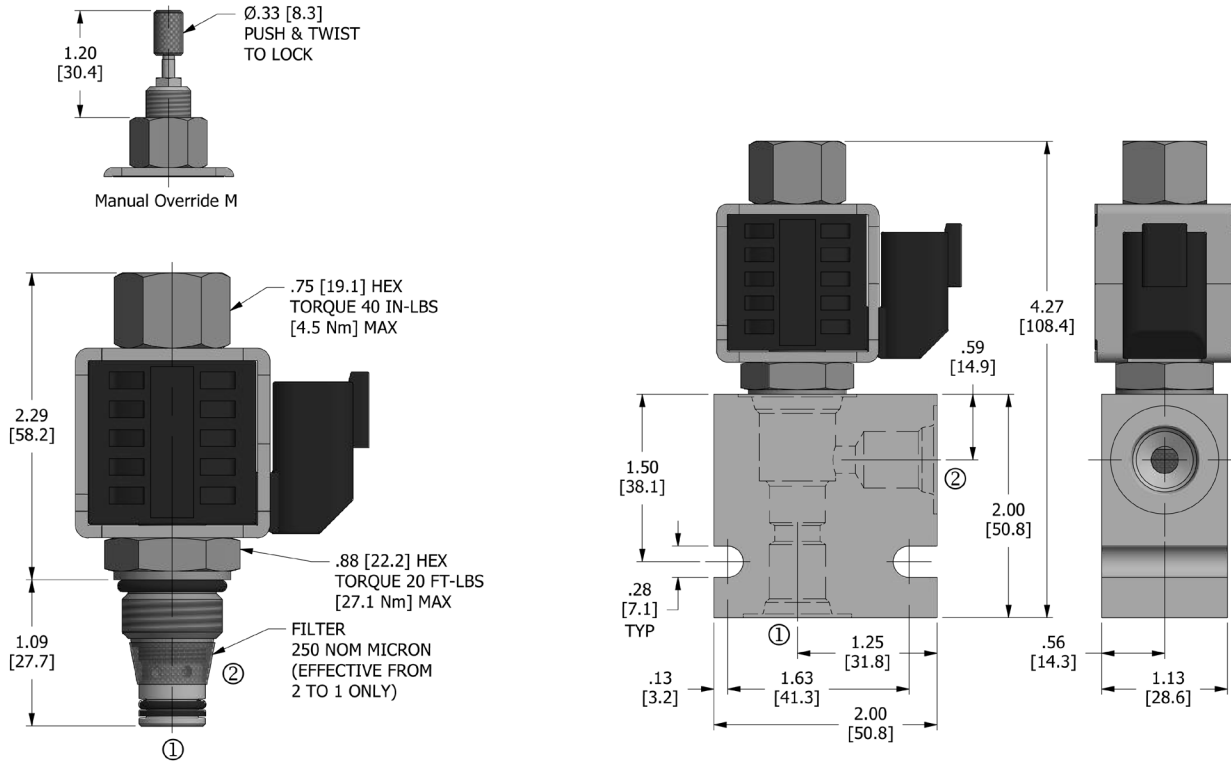
Cavity/Cavity Tool: 080-2, see page 11.08.2

In-Line Body Material: Anodized 6061T6 aluminum alloy rated at 3000 psi (207 bar).

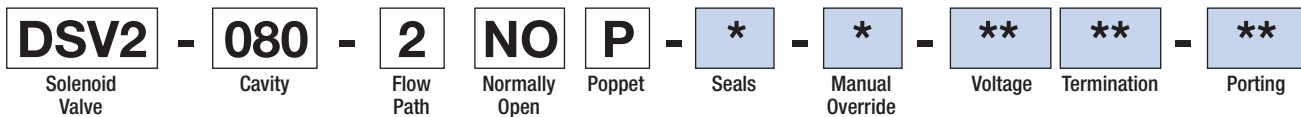
PRESSURE DROP VS. FLOW



DIMENSIONS Inches [Millimeters]



HOW TO ORDER



Seals		Seal Kit
N	Buna N	DSK-080-2-N-A
V	Viton	DSK-080-2-V-A

Manual Override	
omit	No manual override
M	Detented in both positions

Voltage [†]	
omit	Cartridge only w/nut
D1	DC 12 Volt
D2	DC 24 Volt
D9	DC 20 Volt
D10	DC 10 Volt
A5	AC 120 Volt
A6	AC 240 Volt

Termination [†]		
K-Coil External Frame	S-Coil Internal Frame	For internal diode - consult factory
omit	omit	Cartridge only w/nut
DE	DS	Dual Lead
SE	SS	Single Lead
BE	BS	Dual Spade
AE	AS	Single Spade
EE	ES	Single Stud
UE IP69K	US	Deutsch
PE IP69K		Metri-Pack
JE IP69K		Amp Junior Timer
	HS	DIN 43650
	C	Conduit
10239-11	10239-11	coil retainer nut

Porting [†]			In-Line Body w/o Cartridge
omit	Cartridge only		
2N	1/4 PTF		B-080-2-2N
3N	3/8 PTF		B-080-2-3N
4T	SAE 4		B-080-2-4T
6T	SAE 6		B-080-2-6T

[†] Other options available - consult factory

Valve, Coil, and In-Line Body are supplied individually and need to be assembled. For a completed assembly consult the factory.

All variations may not be configurable. Minimum order quantities may be required on other models. Contact Deltrol Fluid Products for complete details.