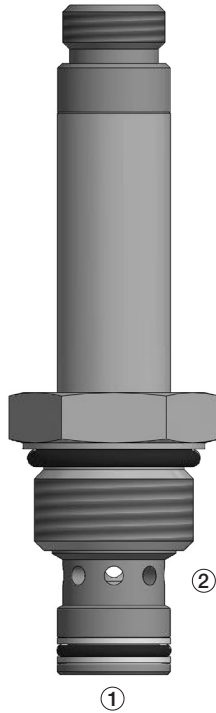
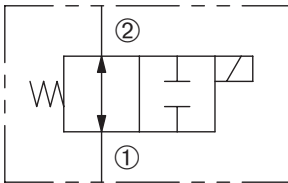


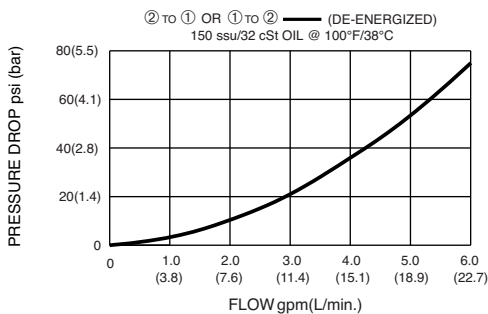
# DSV2-100-2NOS

Normally-Open, Two-Way, Two-Position,  
Spool-Type Solenoid Valve

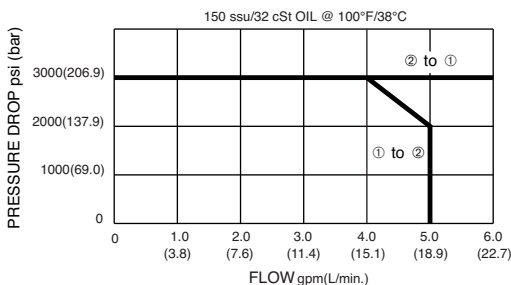
## SERIES 10



### PRESSURE DROP VS. FLOW



### PERFORMANCE CHARACTERISTIC



### DESCRIPTION

A cartridge valve designed to operate as a bi-directional blocking valve.

### OPERATION

When de-energized, the DSV2-100-2NOS allows flow in both directions.

When energized, the cartridge's spool shifts to block flow in either direction.

**Operation of Manual Override Option:** To override, push button in, twist counterclockwise and release. In this position, valve will remain closed in a detented condition.

To return to normal operation, push button in, twist clockwise and release. Override will be detented in this position.

### FEATURES and BENEFITS

- Both ports may be fully pressurized.
- Continuous-duty solenoid.
- Hardened precision spool and sleeve for long life.
- Efficient wet-armature construction.
- Cartridges are voltage interchangeable.
- Optional coil voltages and terminations.
- Manual override option.
- Industry common cavity.

### SPECIFICATIONS

**Operating Pressure:** 3000 psi (207 bar)

**Flow:** See PERFORMANCE CHARACTERISTIC graph.  
Nominal flow 6 gpm (22.7 lpm)

**Internal Leakage:** 5 in<sup>3</sup>/min (82 cc/min) max. at 3000 psi (207 bar)

**Temperature:** -30° F to +250° F (-35°C to +120° C)

**Coil:** Series 10: K-Coil see page 1.93.1; S-Coil see page 1.94.1.

**Coil Duty Rating:** Continuous from 85% to 110% of rated voltage.

**Current Draw:** 12 VDC is 1.8 amps.

**Minimum Pull-In Voltage:** 85% of rated voltage at 3000 psi (207 bar)

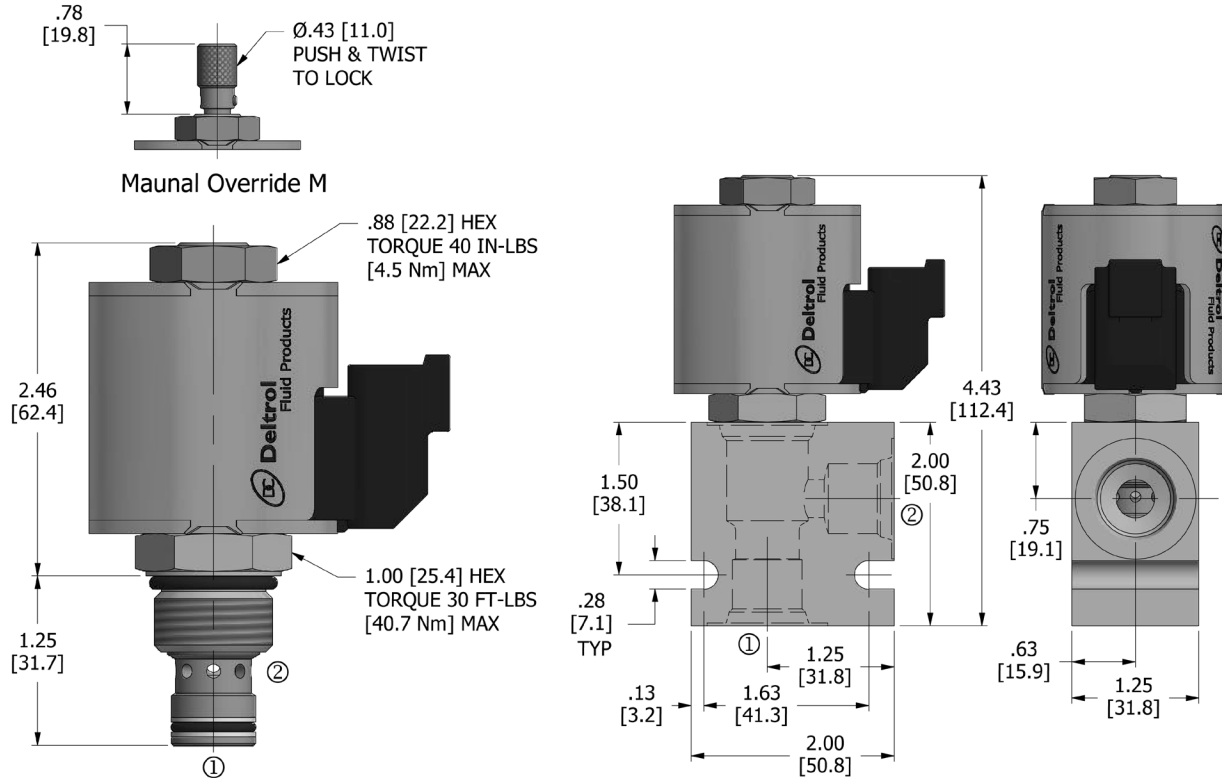
**Recommended Filtration:** ISO 17/15/13

**Fluids:** Mineral-based fluids. For other fluid compatibility consult factory.

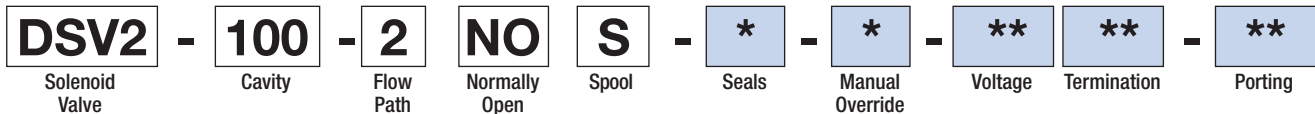
**Cavity/Cavity Tool:** 100-2, see page 11.10.2

**In-Line Body Material:** Anodized 6061T6 aluminum  
alloy rated at 3000 psi (207 bar).

## DIMENSIONS Inches [Millimeters]



## HOW TO ORDER



Seals		Seal Kit
<b>N</b>	Buna N	DSK-100-2-N-B
<b>V</b>	Viton	

Manual Override	
omit	No manual override
<b>M</b>	Manual override

Voltage†	
omit	Cartridge only w/nut
<b>D1</b>	DC 12 Volt
<b>D2</b>	DC 24 Volt
<b>D9</b>	DC 20 Volt
<b>D10</b>	DC 10 Volt
<b>A5</b>	AC 120 Volt
<b>A6</b>	AC 240 Volt

Termination†		
K-Coil External Frame	S-Coil Internal Frame	For internal diode – consult factory
omit	omit	Cartridge only w/nut
<b>DE</b>	<b>D</b>	Dual Lead
<b>SE</b>	<b>S</b>	Single Lead
<b>BE</b>	<b>B</b>	Dual Spade
<b>AE</b>		Single Spade
<b>EE</b>	<b>E</b>	Single Stud
<b>UE</b> <i>IP69K</i>		Deutsch
<b>PE</b> <i>IP69K</i>		Metri-Pack
<b>JE</b> <i>IP69K</i>		Amp Junior Timer
<b>KE</b>		Kostal
<b>HE</b>	<b>H</b>	DIN 43650
	<b>C</b>	Conduit

Porting†			In-Line Body w/o Cartridge
omit	Cartridge only		
<b>2N</b>	1/4 PTF		B-100-2-2N
<b>3N</b>	3/8 PTF		B-100-2-3N
<b>6T</b>	SAE 6		B-100-2-6T
<b>8T</b>	SAE 8		B-100-2-8T

10243-72	10243-72	coil retainer nut
----------	----------	-------------------

† Other options available – consult factory

Valve, Coil, and In-Line Body are supplied individually and need to be assembled. For a completed assembly consult the factory.

All variations may not be configurable. Minimum order quantities may be required on other models. Contact Deltrol Fluid Products for complete details.