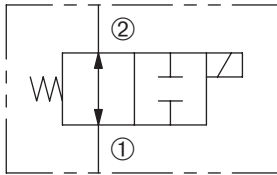


DSV2-080-2NOS

Normally-Open, Two-Way, Two-Position,
Spool-Type Solenoid Valve

SERIES 8



DESCRIPTION

A cartridge valve designed to operate as a bi-directional blocking valve.

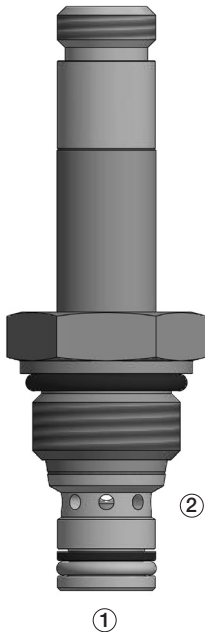
OPERATION

When de-energized, the DSV2-080-2NOS allows flow in both directions.

When energized, the cartridge's spool shifts to block flow in either direction.

Operation of Manual Override Option: To override, push button in, twist counterclockwise and release. In this position, valve will remain closed in a detented condition.

To return to normal operation, push button in, twist clockwise and release. Override will be detented in this position.



FEATURES and BENEFITS

- Both ports may be fully pressurized.
- Continuous-duty solenoid.
- Hardened precision spool and sleeve for long life.
- Efficient wet-armature construction.
- Cartridges are voltage interchangeable.
- Optional coil voltages and terminations.
- Manual override option.
- Industry common cavity.

SPECIFICATIONS

Operating Pressure: 3000 psi (207 bar)

Flow: See PRESSURE DROP VS. FLOW graph.
Nominal flow 3 gpm (11.4 lpm)

Internal Leakage: 5 in³/min (82 cc/min) max. at 3000 psi (207 bar)

Temperature: -30° F to +250° F (-35°C to +120° C)

Coil: Series 8: K-Coil see page 1.91.1; S-Coil see page 1.92.1.

Coil Duty Rating: Continuous from 85% to 110% of rated voltage.

Current Draw: 12 VDC is 1.3 amps.

Minimum Pull-In Voltage: 85% of rated voltage at 3000 psi (207 bar)

Response Time: 80% of final change of state with 100% voltage supplied at 100% of nominal flow rating.

Pull-In: 12 VDC 85 m. sec. **Drop-Out:** 12 VDC 95m. sec.

Recommended Filtration: ISO 17/15/13

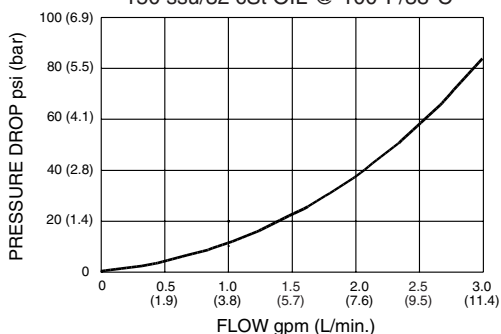
Fluids: Mineral-based fluids. For other fluid compatibility consult factory.

Cavity/Cavity Tool: 080-2, see page 11.08.2

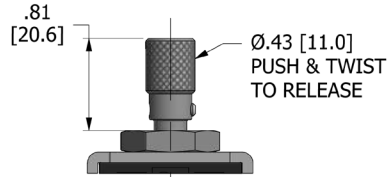
In-Line Body Material: Anodized 6061T6 aluminum alloy rated at 3000 psi (207 bar).

PRESSURE DROP VS. FLOW

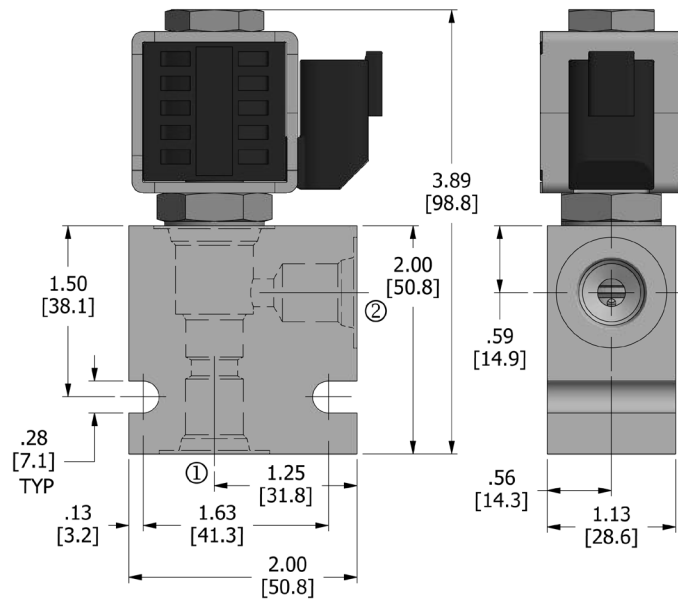
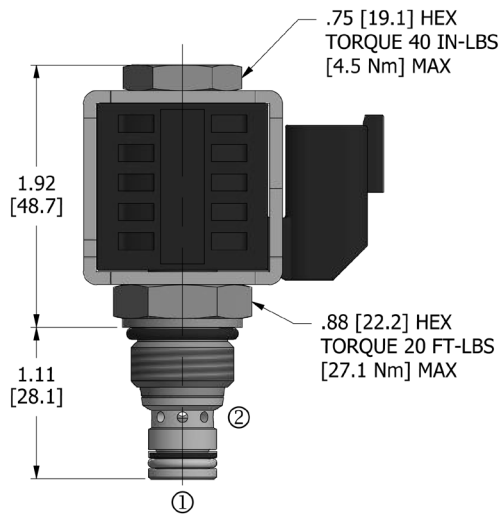
② TO ① OR ① TO ② — (DE-ENERGIZED)
150 ssu/32 cSt OIL @ 100°F/38°C



DIMENSIONS Inches [Millimeters]



Manual Override M



HOW TO ORDER

DSV2 - **080** - **2** **NO** **S** - ***** - ***** - ****** ****** - ******
 Solenoid Valve Cavity Flow Path Normally Open Spool Seals Manual Override Voltage Termination Porting

Seals		Seal Kit
N	Buna N	DSK-080-2-N-A
V	Viton	DSK-080-2-V-A

Manual Override	
omit	No manual override
M	Manual override

Voltage†	
omit	Cartridge only w/nut
D1	DC 12 Volt
D2	DC 24 Volt
D9	DC 20 Volt
D10	DC 10 Volt
A5	AC 120 Volt
A6	AC 240 Volt

Termination†		
K-Coil External Frame	S-Coil Internal Frame	For internal diode – consult factory
omit	omit	Cartridge only w/nut
DE	DS	Dual Lead
SE	SS	Single Lead
BE	BS	Dual Spade
AE	AS	Single Spade
EE	ES	Single Stud
UE <i>IP69K</i>	US	Deutsch
PE <i>IP69K</i>		Metri-Pack
JE <i>IP69K</i>		Amp Junior Timer
	HS	DIN 43650
	C	Conduit
10234-41	10234-41	coil retainer nut

Porting†		
omit	Cartridge only	In-Line Body w/o Cartridge
2N	1/4 PTF	B-080-2-2N
3N	3/8 PTF	B-080-2-3N
4T	SAE 4	B-080-2-4T
6T	SAE 6	B-080-2-6T

† Other options available – consult factory

Valve, Coil, and In-Line Body are supplied individually and need to be assembled. For a completed assembly consult the factory.

All variations may not be configurable. Minimum order quantities may be required on other models. Contact Deltrol Fluid Products for complete details.