

**DD-POC Double Pilot Operated Check Valve**

**DESCRIPTION**

10 size, 7/8-14 thread, "Delta" series, double pilot operated check valve.

**OPERATION**

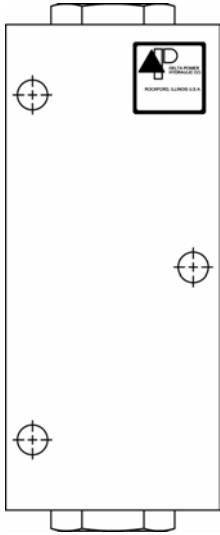
The DD-POC allows flow to pass from (V1) to (C1) and (V2) to (C2). The valve blocks flow from (C1) to (V1) and from (C2) to (V2). Blocked flow is released when pilot pressure is applied to port opposite valve (V1) and/or port (V2) accordingly.

The valve has a 4:1 pilot ratio, so at least .250 of the load pressure at port (C1) or (C2) is required at the pilot lines (ports (V2) or (V1) respectively) to open the flow passage to allow flow from ports (C1) or (C2) respectively.

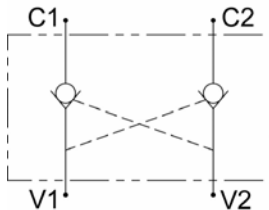
The check is spring-biased at 90 psi (6.2 bar) to assure holding in static or no-load conditions.

**FEATURES**

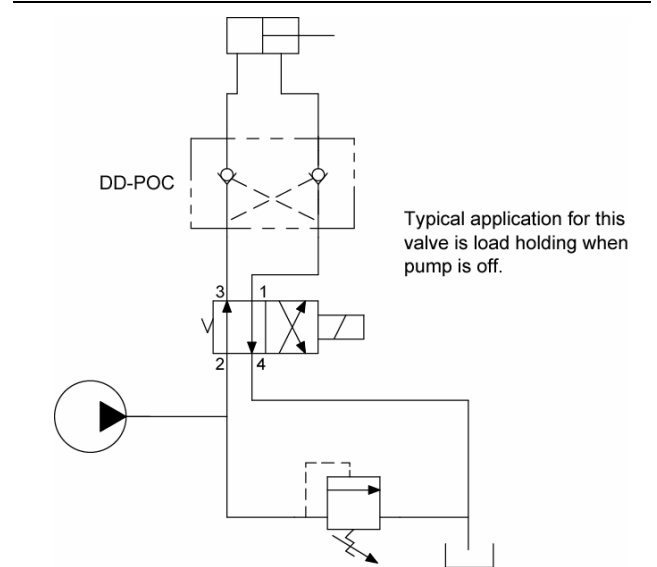
- Hardened internal parts for long life.
- Anodized aluminum body for corrosive protection.



**HYDRAULIC SYMBOL**



**TYPICAL SCHEMATIC**

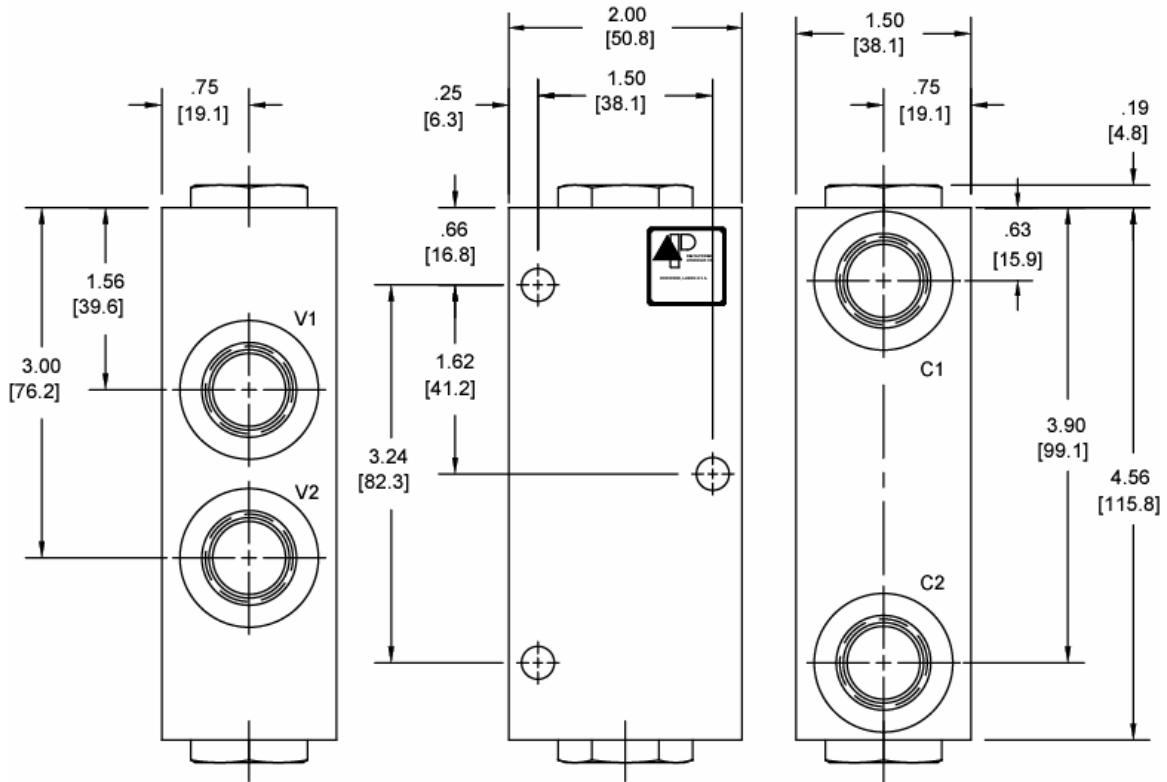


**VALVE SPECIFICATIONS**

Nominal Flow	15 GPM (57 LPM)
Rated Operating Pressure	3500 PSI (241 bar)
Typical Internal Leakage (150 SSU)	0-5 drops/min
Viscosity Range	36 to 3000 SSU (3 to 647 cSt)
Filtration	30 micron nominal
Pilot Ratio	4 : 1
Media Operating Temperature Range	-40° to 250° F (-40° to 120° C)
Weight	1.5 lbs. (.63 kg)
Operating Fluid Media	General Purpose Hydraulic Fluid
Cartridge Torque Requirements	30 ft-lbs (40.6 Nm)
Cartridge Crack Pressure	90 PSI (6.2 bar)

**WARNING:** The specifications/application data shown in our catalogs and data sheets are intended only as a general guide for the product described (herein). Any specific application should not be undertaken without independent study, evaluation, and testing for suitability.

**DIMENSIONS**



SAE PORTS SHOWN  
MTG. HOLES ARE .28 DIA.  
O-RINGS ARE STANDARD ON PISTON ASSEMBLY  
CHECK VALVE USED IS A DE-CVA

**ORDERING INFORMATION**

**DD-POC** - - -  
OPTIONS  
 Buna Standard    **B**  
 Viton Standard    **V**  
BODIES  
 3/8 NPTF Ports    **N**  
 #8 SAE Ports    **S**

**WARNING:** The specifications/application data shown in our catalogs and data sheets are intended only as a general guide for the product described (herein). Any specific application should not be undertaken without independent study, evaluation, and testing for suitability.

Phone: (815) 397-6628

Fax: (815) 397-2526

E-mail: [delta@delta-power.com](mailto:delta@delta-power.com)